

1000V CERAMIC DISC

90000 SERIES

The 90000 series is a range of insulated disc, monolithic fixed ceramic capacitors. They are most commonly used in consumer electronics and telecommunication equipment.

RATINGS

Capacitance Range: 1.0pf to 0.10 μ f (100,000pf)

Voltage: 1000 Volts DC

Withstand Voltage: 2500 Volts DC

PERFORMANCE SPECIFICATIONS

Operating Temperature Range:

-25°C to +85°C (-13°F to +185°F)

Tolerance Range:

9001D0-9009D0	± 0.5 pf
90010-90210	$\pm 10\%$
90212-90220	+80%, -20%
90222	$\pm 20\%$
90227-90410	+80%, -20%

Temperature Coefficient:

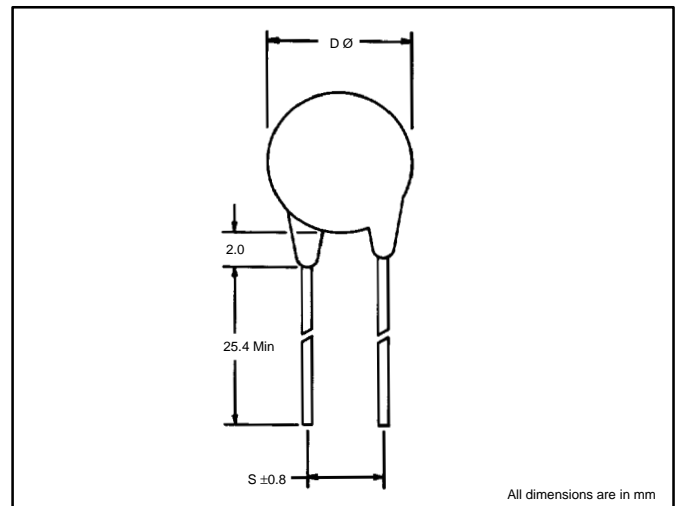
9001D0-90091	-	SL
90110-90118	-	Y5F
90122-90210	-	Y5P
90212-90220	-	Z5V
90222	-	Z5U
90227-90410	-	Z5V

Insulation Resistance: 7500M Ω Min
measured after 1 Minute at rated voltage

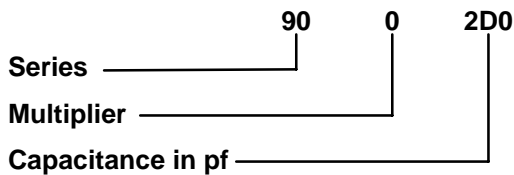
90000 Series Dimensions (Figure 2)

Cap pf	D \varnothing mm	S mm	Cap pf	D \varnothing mm	S mm	Cap pf	D \varnothing mm	S mm
1.0pf	5	7.5	39pf	5	7.5	1500pf	5	7.5
2.0pf	6	7.5	47pf	5	7.5	1800pf	6	7.5
2.2pf	5	7.5	56pf	5	7.5	2000pf	6	7.5
2.7pf	5	7.5	62pf	5	7.5	2200pf	6	7.5
3.0pf	5	7.5	68pf	6	7.5	2700pf	7	7.5
3.3pf	6	7.5	75pf	6	7.5	3000pf	7	7.5
4.0pf	5	7.5	82pf	6	7.5	3300pf	7	7.5
4.7pf	5	7.5	91pf	6	7.5	3900pf	7	7.5
5.0pf	5	7.5	100pf	5	7.5	4300pf	7	7.5
5.6pf	5	7.5	120pf	5	7.5	4700pf	8	7.5
6.2pf	5	7.5	150pf	5	7.5	5000pf	8	7.5
6.8pf	5	7.5	180pf	5	7.5	5600pf	8.5	7.5
7.5pf	5	7.5	220pf	5	7.5	6800pf	10.5	7.5
8.0pf	6	7.5	270pf	6	7.5	7500pf	10.5	7.5
9.0pf	5	7.5	330pf	6	7.5	8200pf	10.5	7.5
10pf	5	7.5	390pf	6	7.5	0.01 μ f	10.5	7.5
12pf	5	7.5	430pf	6	7.5	0.015 μ f	10.5	7.5
13pf	5	7.5	470pf	5	7.5	0.020 μ f	11.0	7.5
15pf	5	7.5	500pf	6	7.5	0.022 μ f	13.5	8.5
18pf	5	7.5	560pf	6	7.5	0.030 μ f	13.5	8.5
20pf	5	7.5	680pf	6	7.5	0.033 μ f	13.5	8.5
22pf	5	7.5	750pf	6	7.5	0.036 μ f	13.5	8.5
24pf	6	7.5	820pf	6	7.5	0.047 μ f	16.5	10.5
27pf	5	7.5	910pf	6	7.5	0.050 μ f	16.5	10.5
30pf	5	7.5	1000pf	5	7.5	0.10 μ f	20.0	10.5
33pf	5	7.5	1200pf	5	7.5			

Figure 2



ORDERING INFORMATION



Example: 9002D0 = 2.0pf
90220 = 2000pf
90347 = 0.047 μ f

MARKING EXAMPLE

Example: 2pf = 2
2000pf = 202
0.047 μ f = 473

Figure 1

