

AMPLIMITE D-Subminiature PCB Connectors

- Shell: Steel, tin plated
- Contacts: Pins - brass, sockets - phosphor bronze
- RoHS Compliant per Tyco Electronics documentation

- Contact Plating: (a) Gold on mating end, tin-lead on termination end, nickel underplated
(b) Gold flash on mating end, tin-lead on termination end, nickel underplated
(c) Gold on mating end, tin on termination end, nickel underplated
(d) Gold flash on mating end, tin on termination end, nickel underplated



RoHS Compliant

HD-20 SERIES RIGHT ANGLE CONNECTORS, FRONT METAL SHELL

- .318 PCB footprint
- Housing: UL 94V-0 black thermoplastic

Plugs For quantities of 500 and up, call for quote.

MOUSER NON-ROHS STOCK NO.	MOUSER RoHS COMPLIANT STOCK NO.	AMP Part No.	Fig.	Shell Size	No. of Pos.	Post Length (in.)	Plating Code		Price Each		
							Non RoHS	RoHS	1	10	100
Without boardlocks, with threaded inserts											
571-7472504	571-5747250-4	5747250-4	A	1	9	0.125	a	c	2.61	2.35	2.22
571-7472364	571-5747236-4	5747236-4	A	2	15	0.125	a	c	3.10	2.79	2.64
571-7472384	571-5747238-4	5747238-4	A	3	25	0.125	a	c	4.65	4.19	3.95
571-7472524	571-5747252-4	5747252-4	A	4	37	0.125	a	c	7.24	6.52	6.15
With boardlocks & threaded inserts											
571-7478404	571-5747840-4	5747840-4	A	1	9	0.125	a	c	1.54	1.39	1.31
571-7478403	571-5747840-3	5747840-3	A	1	9	0.125	b	d	2.12	1.91	1.81
571-7478414	571-5747841-4	5747841-4	A	2	15	0.125	a	c	2.22	2.00	1.89
571-7478424	571-5747842-4	5747842-4	A	3	25	0.125	a	c	3.88	3.49	3.30
571-7478434	571-5747843-4	5747843-4	A	4	37	0.125	a	c	5.42	4.88	4.61
With boardlocks & female screwlocks											
571-7478406	571-5747840-6	5747840-6	A	1	9	0.125	a	c	2.27	2.04	1.93
571-7478416	571-5747841-6	5747841-6	A	2	15	0.125	a	c	2.22	2.00	1.89
571-7478426	571-5747842-6	5747842-6	A	3	25	0.125	a	c	4.40	6.66	6.29
571-7478425	571-5747842-5	5747842-5	A	3	25	0.125	b	d	5.78	5.20	4.91

Receptacles For quantities of 500 and up, call for quote.

MOUSER NON-ROHS STOCK NO.	MOUSER RoHS COMPLIANT STOCK NO.	AMP Part No.	Fig.	Shell Size	No. of Pos.	Post Length (in.)	Plating Code		Price Each		
							Non RoHS	RoHS	1	10	100
Without boardlocks, with threaded inserts											
571-7457814	571-5745781-4	5745781-4	B	1	9	0.125	a	c	2.04	1.83	1.73
571-7457813	571-5745781-3	5745781-3	B	1	9	0.125	b	d	2.77	2.50	2.36
571-7457824	571-5745782-4	5745782-4	B	2	15	0.125	a	c	2.77	2.50	2.36
571-7457834	571-5745783-4	5745783-4	B	3	25	0.125	a	c	2.95	2.66	2.51
571-7457833	571-5745783-3	5745783-3	B	3	25	0.125	b	d	5.34	4.81	4.54
571-7457844	571-5745784-4	5745784-4	B	4	37	0.125	a	c	7.74	6.97	6.58
Without boardlocks, with female screwlocks											
571-7457816	571-5745781-6	5745781-6	B	1	9	0.125	a	c	2.62	2.36	2.23
571-7457836	571-5745783-6	5745783-6	B	3	25	0.125	a	c	6.98	6.28	5.93
571-7457835	571-5745783-5	5745783-5	B	3	25	0.125	b	d	2.67	2.40	2.27
With boardlocks & threaded inserts											
571-7478444	571-5747844-4	5747844-4	B	1	9	0.125	a	c	2.02	1.81	1.71
571-7478443	571-5747844-3	5747844-3	B	1	9	0.125	b	d	2.12	1.90	1.80
571-7478454	571-5747845-4	5747845-4	B	2	15	0.125	a	c	2.03	1.82	1.72
571-7478453	571-5747845-3	5747845-3	B	2	15	0.125	b	d	1.66	1.50	1.41
571-7478464	571-5747846-4	5747846-4	B	3	25	0.125	a	c	3.10	2.79	2.64
571-7478474	571-5747847-4	5747847-4	B	4	37	0.125	a	c	5.04	4.54	4.28
With boardlocks & female screwlocks											
571-7478445	571-5747844-5	5747844-5	B	1	9	0.125	b	d	2.12	1.90	1.80
571-7478456	571-5747845-6	5747845-6	B	2	15	0.125	a	c	6.36	5.72	5.41
571-7478455	571-5747845-5	5747845-5	B	2	15	0.125	b	d	5.18	4.66	4.40
571-7478466	571-5747846-6	5747846-6	B	3	25	0.125	a	c	3.67	3.30	3.12
571-7478465	571-5747846-5	5747846-5	B	3	25	0.125	b	d	2.57	2.31	2.18
571-7478476	571-5747847-6	5747847-6	B	4	37	0.125	a	c	7.74	6.97	6.58

HD-20 SERIES RIGHT ANGLE CONNECTORS, FULL METAL SHELL

- 545 PCB footprint
- Insert: UL 94V-0 black thermoplastic

Plugs with Standard Mounting Screws For quantities of 500 and up, call for quote.

MOUSER RoHS COMPLIANT STOCK NO.	AMP Part No.	Fig.	Shell Size	No. of Pos.	Post Length (in.)	Plating Code	Price Each		
							1	10	100
571-5745351-4	5745351-4	C	1	9	0.125	c	13.22	11.90	12.24
571-5745355-4	5745355-4	C	5	50	0.125	c	26.66	23.99	22.66

Receptacles with Standard Mounting Screws For quantities of 500 and up, call for quote.

MOUSER NON-ROHS STOCK NO.	MOUSER RoHS COMPLIANT STOCK NO.	AMP Part No.	Fig.	Shell Size	No. of Pos.	Post Length (in.)	Plating Code		Price Each		
							Non RoHS	RoHS	1	10	100
571-7451122	571-5745112-2	5745112-2	D	1	9	0.125	a	c	14.78	13.30	12.56
571-7451142	571-5745114-2	5745114-2	D	3	25	0.125	a	c	21.64	20.56	19.48
571-7451162	571-5745116-2	5745116-2	D	5	50	0.125	a	c	38.44	34.60	32.67

HD-20 SERIES RIGHT ANGLE CONNECTORS, PLASTIC SHELL

- Shell and housing: UL 94V-0 black thermoplastic
- Standard mounting holes
- 590 PCB footprint

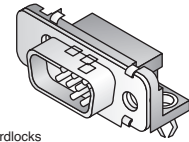
Plugs Without Boardlocks For quantities of 500 and up, call for quote.

MOUSER NON-ROHS STOCK NO.	MOUSER RoHS COMPLIANT STOCK NO.	AMP Part No.	Fig.	Shell Size	No. of Pos.	Post Length (in.)	Plating Code		Price Each		
							Non RoHS	RoHS	1	10	100
571-7474682	571-5747468-2	5747468-2	E	2	15	0.125	a	c	4.38	3.94	3.72
571-7488262	571-5748826-2	5748826-2	E	3	25	0.125	a	c	4.46	4.01	3.79

Receptacles Without Boardlocks

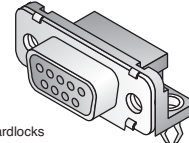
MOUSER NON-ROHS STOCK NO.	MOUSER RoHS COMPLIANT STOCK NO.	AMP Part No.	Fig.	Shell Size	No. of Pos.	Post Length (in.)	Plating Code		Price Each		
							Non RoHS	RoHS	1	10	100
571-7474591	571-5748826-2	5748826-2	F	1	9	0.125	b	d	4.46	4.01	3.79
571-7474611	571-5747461-1	5747461-1	F	3	25	0.125	b	d	8.38	7.54	7.12

A



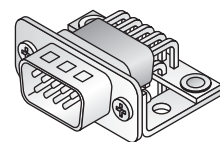
Shown with boardlocks

B



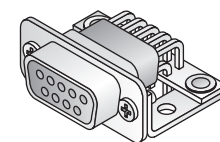
Shown with boardlocks

C



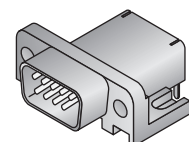
Shown with standard mounting screws

D

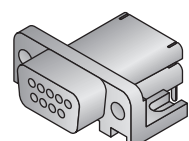


Shown with standard mounting screws

E



F



"D" Connectors

AMP