

# NORCOMP D-Subminiature Connectors



## SERIES 171 STAMPED CONTACT D-SUB CONNECTORS - SOLDER CUP

### Specifications:

- Nickel Shell
- Insulator: Glass-filled thermoplastic, UL94V-0
- Contacts: Male- Brass Pins, Female- Phosphor Bronze Pins
- Plating: Gold flash on the entire contact

### Features:

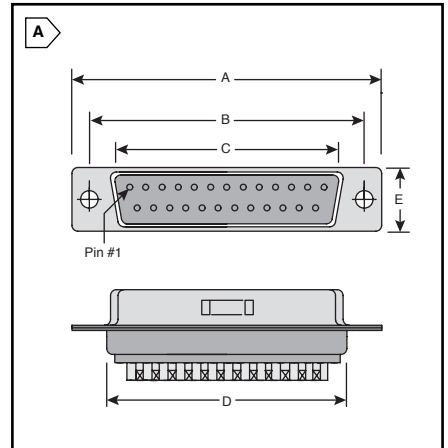
- RoHS Compliant per NorComp documentation
- Non-removable contacts
- Low cost economy series
- Male nickel shells have indents to provide grounding and additional retention
- High performance, stamped contacts



RoHS Compliant

For quantities of 500 and up, call for quote.

MOUSER STOCK NO.	NorComp Part No.	Fig.	No. of Pos.	Dimensions (In.)					Price Each			
				A	B	C	D	E	1	25	50	100
<b>Male</b>												
636-171-009-103L001	171-009-103L001	A	9	1.213	0.984	0.666	0.756	0.496	.65	.57	.46	.43
636-171-015-103L001	171-015-103L001	A	15	1.543	1.312	0.994	1.091	0.496	.95	.84	.68	.65
636-171-025-103L001	171-025-103L001	A	25	2.087	1.852	1.534	1.618	0.496	1.10	.95	.76	.72
636-171-037-103L001	171-037-103L001	A	37	2.732	2.500	2.181	2.256	0.496	2.09	1.80	1.44	1.37
636-171-050-103L001	171-050-103L001	A	50	2.638	2.406	2.079	2.169	0.602	4.16	3.59	2.89	2.74
<b>Female</b>												
636-171-009-203L001	171-009-203L001	A	9	1.213	0.984	0.666	0.756	0.496	.73	.63	.51	.49
636-171-015-203L001	171-015-203L001	A	15	1.543	1.312	0.994	1.091	0.496	1.22	1.04	.84	.79
636-171-025-203L001	171-025-203L001	A	25	2.087	1.852	1.534	1.618	0.496	1.29	1.12	.89	.85
636-171-037-203L001	171-037-203L001	A	37	2.732	2.500	2.181	2.256	0.496	2.46	2.12	1.71	1.62
636-171-050-203L001	171-050-203L001	A	50	2.638	2.406	2.079	2.169	0.602	4.52	3.90	3.14	2.97



## SERIES 171 STAMPED CONTACT D-SUB CONNECTORS - DIP SOLDER

### Specifications:

- Shell: Nickel Plated Steel
- Insulator: Glass-filled thermoplastic, UL94V-0
- Contacts: Male- Brass Pins, Female- Phosphor Bronze Pins
- Plating: Gold flash on the entire contact

### Features:

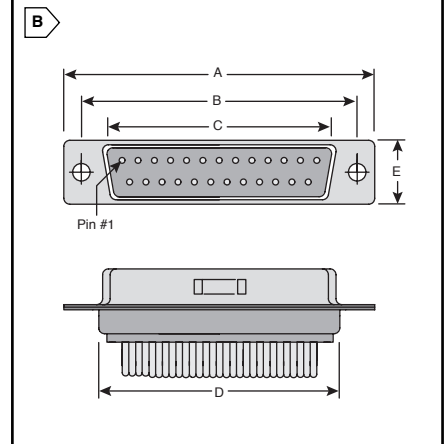
- RoHS Compliant per NorComp documentation
- Non-removable contacts
- Male nickel shells have indents to provide grounding and additional retention
- High performance, stamped contacts



RoHS Compliant

For quantities of 500 and up, call for quote.

MOUSER STOCK NO.	NorComp Part No.	Fig.	No. of Pos.	Dimensions (In.)					Price Each			
				A	B	C	D	E	1	25	50	100
<b>Male</b>												
636-171-009-113R001	171-009-113R001	B	9	1.213	0.984	0.666	0.756	0.496	1.10	.98	.78	.74
636-171-015-113R001	171-015-113R001	B	15	1.543	1.312	0.994	1.091	0.496	1.73	1.49	1.20	1.13
636-171-025-113R001	171-025-113R001	B	25	2.087	1.852	1.534	1.618	0.496	2.41	2.08	1.67	1.58
636-171-037-113R001	171-037-113R001	B	37	2.732	2.500	2.181	2.256	0.496	4.31	3.72	2.98	2.83
<b>Female</b>												
636-171-009-213R001	171-009-213R001	B	9	1.213	0.984	0.666	0.756	0.496	1.25	1.10	.89	.85
636-171-015-213R001	171-015-213R001	B	15	1.543	1.312	0.994	1.091	0.496	1.40	1.21	.97	.92
636-171-025-213R001	171-025-213R001	B	25	2.087	1.852	1.534	1.618	0.496	1.79	1.54	1.24	1.17
636-171-037-213R001	171-037-213R001	B	37	2.732	2.500	2.181	2.256	0.496	2.90	2.51	2.01	1.91
636-171-050-213R001	171-050-213R001	B	50	2.638	2.406	2.079	2.169	0.606	4.63	3.99	3.21	3.04



## SERIES 180 STAMPED CONTACT D-SUB CONNECTORS - SOLDER CUP HIGH DENSITY

### Specifications:

- Shell: Nickel Plated Steel
- Insulator: Glass-filled thermoplastic, UL94V-0
- Contacts: Male - Brass Pins, Female - Phosphor Bronze Pins
- Plating: Gold flash on the entire contact

### Features:

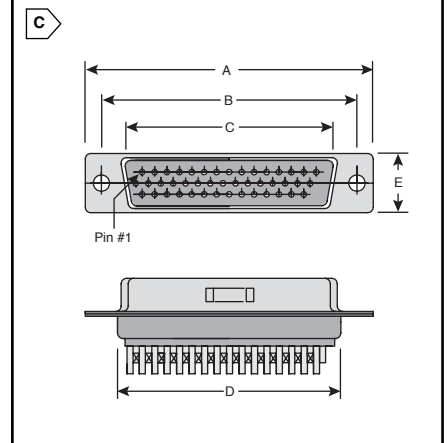
- RoHS Compliant per NorComp documentation
- Interfaces with IBM PS/2
- Approximately 65% higher density than standard D-Subs
- Connectors will fit in standard D-sub backshells



RoHS Compliant

For quantities of 500 and up, call for quote.

MOUSER STOCK NO.	NorComp Part No.	Fig.	No. of Pos.	Dimensions (In.)					Price Each			
				A	B	C	D	E	1	25	50	100
<b>Male</b>												
636-180-015-103L001	180-015-103L001	C	15	1.213	0.984	0.666	0.756	0.496	2.29	1.97	1.60	1.51
636-180-026-103L001	180-026-103L001	C	26	1.543	1.312	0.994	1.091	0.496	7.44	6.41	5.17	4.90
636-180-044-103L001	180-044-103L001	C	44	2.087	1.852	1.534	1.618	0.496	8.97	7.73	6.23	5.90
636-180-062-103L001	180-062-103L001	C	62	2.732	2.500	2.181	2.256	0.496	8.98	8.57	7.75	7.34
636-180-078-103L001	180-078-103L001	C	78	2.638	2.406	2.079	2.169	0.606	12.96	12.37	11.19	10.60
<b>Female</b>												
636-180-015-203L001	180-015-203L001	C	15	1.213	0.984	0.666	0.756	0.496	2.63	2.54	2.43	2.30
636-180-026-203L001	180-026-203L001	C	26	1.543	1.312	0.994	1.091	0.496	6.54	5.63	4.54	4.30
636-180-044-203L001	180-044-203L001	C	44	2.087	1.852	1.534	1.618	0.496	10.39	8.95	7.22	6.84
636-180-062-203L001	180-062-203L001	C	62	2.732	2.500	2.181	2.256	0.496	12.62	10.87	8.76	8.30
636-180-078-203L001	180-078-203L001	C	78	2.638	2.406	2.079	2.169	0.606	10.14	9.68	8.76	8.30



## SERIES 180 STAMPED CONTACT D-SUB CONNECTORS - VERTICAL DIP HIGH DENSITY

### Specifications:

- Shell: Nickel Plated Steel
- Insulator: Glass-filled thermoplastic, UL94V-0
- Contacts: Male - Brass Pins, Female - Phosphor Bronze Pins

### Features:

- RoHS Compliant per NorComp documentation
- Interfaces with IBM PS/2
- Approximately 65% higher density than standard D-Subs



RoHS Compliant

For quantities of 500 and up, call for quote.

MOUSER STOCK NO.	NorComp Part No.	Fig.	No. of Pos.	Dimensions (In.)					Price Each			
				A	B	C	D	E	1	25	50	100
<b>Male</b>												
636-180-015-113R001	180-015-113R001	D	15	1.213	0.984	0.666	0.756	0.496	2.36	2.03	1.63	1.55
636-180-026-113R001	180-026-113R001	D	26	1.543	1.312	0.994	1.091	0.496	3.64	3.13	2.53	2.39
636-180-044-113R001	180-044-113R001	D	44	2.087	1.852	1.534	1.618	0.496	6.48	5.58	4.50	4.27
636-180-062-113R001	180-062-113R001	D	62	2.732	2.500	2.181	2.256	0.496	8.80	7.59	6.12	5.80
<b>Female</b>												
636-180-015-213R001	180-015-213R001	D	15	1.213	0.984	0.666	0.756	0.496	1.98	1.70	1.37	1.30
636-180-026-213R001	180-026-213R001	D	26	1.543	1.312	0.994	1.091	0.496	4.12	3.54	2.85	2.70
636-180-044-213R001	180-044-213R001	D	44	2.087	1.852	1.534	1.618	0.496	6.44	5.55	4.47	4.23
636-180-062-213R001	180-062-213R001	D	62	2.732	2.500	2.181	2.256	0.496	8.90	7.67	6.18	5.85

