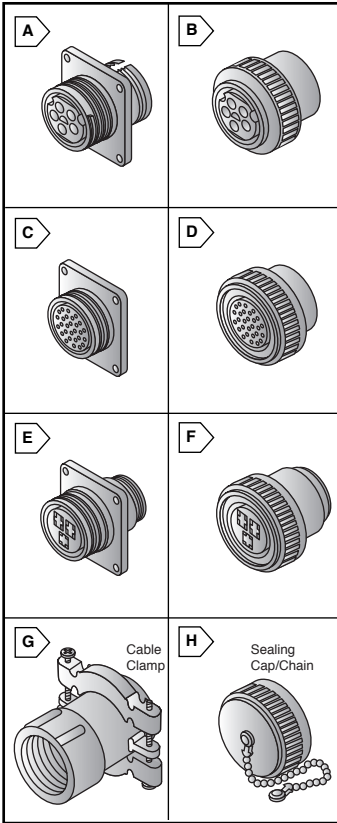


AMP Metal Shell CPC and Flexa Products



AMP Circular Connectors



METAL SHELL CIRCULAR CONNECTORS

- RoHS compliant per Tyco Electronics documentation
- Housing: UL94V-0 Black Thermoplastic
- Metal Shell: Nickel-plated zinc alloy
- Shell only, must order contacts separately.



E28476 LR7189



- * STD. Genders= Pin contacts in receptacle housings, socket contacts in plug housings
- * REV. Genders= Socket contacts in receptacle housings, pin contacts in plug housings

Series 2 - Square Flange Receptacles

- Accepts size 20 Contacts

For quantities of 25 and up, call for quote.

MOUSER STOCK NO.	AMP Part No.	Fig.	Shell Size	No. of Cont.	Gen. *	Price Each		
						1	5	10
571-2084911	208491-1	C	22	28	Std.	27.38	24.64	23.27
571-2084931	208493-1	C	22	28	Rev.	26.34	23.71	22.39
571-2084771	208477-1	C	28	63	Std.	63.70	57.33	54.15

Series 1 - Square Flange Receptacles

- Accepts size 16 Contacts

For quantities of 25 and up, call for quote.

MOUSER STOCK NO.	AMP Part No.	Fig.	Shell Size	No. of Cont.	Gen. *	Price Each		
						1	5	10
571-2087191	208719-1	A	14	5	Std.	24.06	21.65	20.45
571-2087151	208715-1	A	14	7	Std.	25.06	22.55	21.30
571-2087171	208717-1	A	14	7	Rev.	25.06	22.55	21.30
571-2084871	208487-1	A	22	14	Rev.	29.50	26.55	25.08
571-2084591	208459-1	A	28	24	Std.	61.20	55.08	52.02
571-2084711	208471-1	A	28	37	Std.	61.16	55.04	51.99
571-2084731	208473-1	A	28	37	Rev.	61.16	55.04	51.99

Series 2 - Plugs

- Accepts size 20 Contacts

For quantities of 25 and up, call for quote.

MOUSER STOCK NO.	AMP Part No.	Fig.	Shell Size	No. of Cont.	Gen. *	Price Each		
						1	5	10
571-2084901	208490-1	D	22	28	Std.	118.74	106.87	100.93
571-2084921	208492-1	D	22	28	Rev.	130.98	117.88	111.33
571-2084761	208476-1	D	28	63	Std.	185.46	166.91	157.64

Series 1 - Plugs

- Accepts size 16 Contacts

For quantities of 25 and up, call for quote.

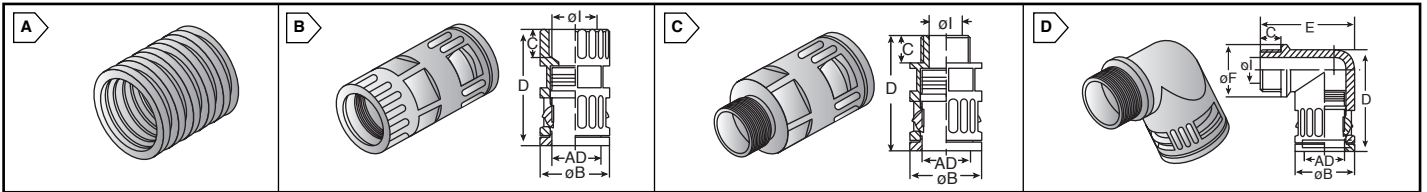
MOUSER STOCK NO.	AMP Part No.	Fig.	Shell Size	No. of Cont.	Gen. *	Price Each		
						1	5	10
571-2087181	208718-1	B	14	5	Std.	57.62	51.86	48.98
571-2087141	208714-1	B	14	7	Std.	40.00	36.00	34.00
571-2087161	208716-1	B	14	7	Rev.	39.10	35.19	33.24
571-2084861	208486-1	B	22	14	Rev.	62.90	56.61	53.47
571-2084571	208457-1	B	28	24	Std.	77.28	69.55	65.69
571-2084701	208470-1	B	28	37	Std.	47.60	42.84	40.46
571-2084721	208472-1	B	28	37	Rev.	45.64	41.08	38.79

Accessories

For quantities of 25 and up, call for quote.

MOUSER STOCK NO.	AMP Part No.	Shell Size	Description for Fig. I and J	Price Each		
				1	5	10
571-2089455	208945-5	14	Cable clamp	11.60	10.44	9.86
571-2138232	213823-2	14	Sealing cap/chain	17.64	15.88	14.99
571-2089457	208945-7	22	Cable clamp	20.64	18.58	17.54
571-2119031	211903-1	22	Sealing cap/chain	33.54	30.19	28.51
571-2089458	208945-8	28	Cable clamp	27.94	25.15	23.75

FLEXA CORRUGATED TUBING AND CONNECTORS



PA6 Flexa Tubing

Temperature range: From approximately -40°C up to approximately +115°C; temporarily withstands temperatures up to approximately +150°C

- RoHS compliant per Tyco Electronics documentation



RoHS Compliant

Features:

- Air and liquid tight
- Oil resistant up to +80°C
- Highly resistant to acids and solvents
- Ozone and Benzine resistant
- Free of silicone, cadmium, and halogen
- Self-extinguishing and flame retardant

MOUSER STOCK NO.	AMP Part No.	Fig.	Shell Size	Trade Size Tubing Outer - ø (AD)	Bending Radius mm ± 10%	Price Per Meter		
						1	25	50
571-9697892	969789-2	A	11	0.51" (13.0)	20	2.26	2.04	1.93
571-9697893	969789-3	A	13	0.62" (15.8)	35	3.68	3.32	3.13
571-9697894	969789-4	A	17	0.83" (21.2)	45	4.54	4.09	3.86
571-9697895	969789-5	A	23	1.12" (28.5)	55	9.56	8.60	8.13

Straight Female Connectors

For quantities of 100 and up, call for quote.

MOUSER STOCK NO.	AMP Part No.	Fig.	Shell Size	Trade Size Tubing Outer - ø (AD)	Inner Thread UNEF	Dimensions: mm				Price Each		
						Smallest Inner - ø (I)	Largest Outer - ø (B)	Length of Thread (C)	Total Length (D)	1	25	50
571-19698072	1-969807-2	B	11	.51" (13.0)	5/8"- 24	10.0	20.6	8.0	36.6	6.46	5.82	5.50
571-19698093	1-969809-3	B	13	.62" (15.8)	3/4"- 20	12.5	23.6	9.5	41.7	3.88	3.50	3.30
571-19698114	1-969811-4	B	17	.83" (21.2)	15/16"- 20	17.0	30.1	9.5	50.3	7.36	6.63	6.26
571-29698135	2-969813-5	B	23	1.12" (28.5)	1" - 18	23.5	37.0	9.5	54.0	11.60	10.44	9.86

Straight Male Connectors

For quantities of 100 and up, call for quote.

MOUSER STOCK NO.	AMP Part No.	Fig.	Shell Size	Trade Size Tubing Outer - ø (AD)	Thread DIN 40430 PG	Dimensions: mm				Price Each		
						Smallest Inner - ø (I)	Largest Outer - ø (B)	Length of Thread (C)	Total Length (D)	1	25	50
571-9698032	969803-2	C	11	.51" (13.0)	9	10.0	20.0	10	35.0	3.96	3.57	3.37
571-9698033	969803-3	C	13	.62" (15.8)	11	12.5	23.0	10	37.0	3.16	2.85	2.69
571-9698034	969803-4	C	17	.83" (21.2)	16	17.0	29.5	12	43.5	3.32	2.99	2.83
571-9698035	969803-5	C	23	1.12" (28.5)	21	23.5	37.0	12	46.0	5.92	5.33	5.04

Right Angle Male Connectors

For quantities of 100 and up, call for quote.

MOUSER STOCK NO.	AMP Part No.	Fig.	Shell Size	Trade Size Tubing Outer - ø (AD)	Thread DIN 40430 PG	Dimensions: mm					Price Each			
						Smallest Inner - ø (I)	Largest Outer - ø (B)	Length of Thread (C)	Total Length (D)	Total Height (E)	Connection (F)	1	25	50
571-9698172	969817-2	D	11	.51" (13.0)	9	12.0	20.0	10	36.0	34.0	20.0	5.74	5.17	4.88
571-9698173	969817-3	D	13	.62" (15.8)	11	15.5	23.0	10	42.0	37.5	23.0	5.98	5.39	5.09
571-9698174	969817-4	D	17	.83" (21.2)	16	18.0	29.5	12	50.0	47.0	27.0	10.66	9.60	9.07
571-9698175	969817-5	D	23	1.12" (28.5)	21	24.0	37.0	12	57.0	55.0	34.0	18.06	16.26	15.36

