

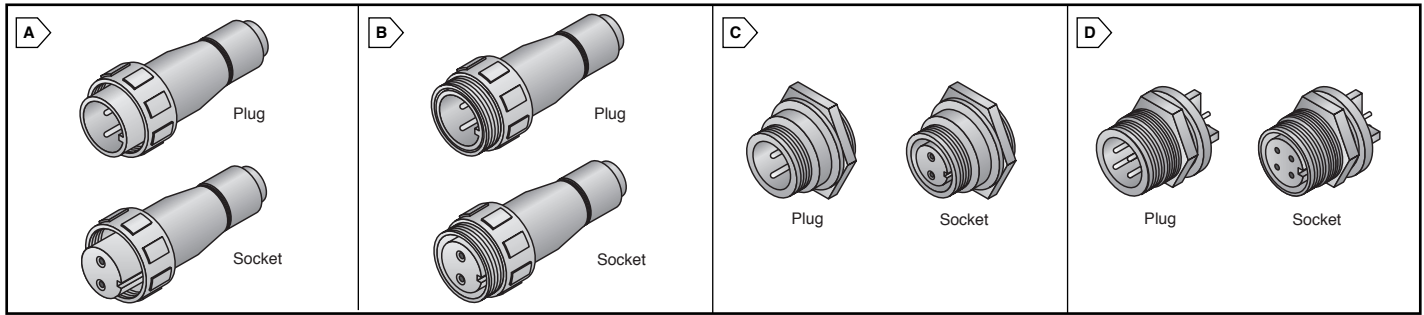
# BULGIN 400 Series Buccaneer® Sealed Connectors



## 400 SERIES BUCCANEER® ENVIRONMENTALLY SEALED CONNECTORS

### Specifications:

- Sealed to IP68 when mated
- Contact inserts are part of body moulding
- Cable range from 3 to 7mm
- Diameter over coupling ring 19.1mm
- Flame retardant moulding material: Polyamide UL94V-0
- RoHS Compliant per Bulgin documentation
- Secure sealing system
- UL, CSA, and VDE approvals



### Flex Cable Connectors

- Mates with flex in-line or panel mounting versions
- Screw locking ring
- Gold plated contacts ordered separately
- RoHS Compliant per Bulgin documentation

RoHS Compliant  
For quantities of 250 and up, call for quote.

MOUSER STOCK NO.	Bulgin Part No.	Fig.	Poles	Cable Dia. (mm)	Price Each			
					1	25	50	100
<b>Plugs</b>								
177-PX0410/02P	PX0410/02P/5560	A	2	5.5-6.0	4.15	3.40	3.11	2.67
177-PX0410/03P	PX0410/03P/5560	A	3	5.5-6.0	4.15	3.40	3.11	2.67
177-PX0410/04P	PX0410/04P/4550	A	4	4.5-5.0	4.15	3.40	3.11	2.67
177-PX0410/06P	PX0410/06P/4550	A	6	4.5-5.0	4.15	3.40	3.11	2.67
177-PX0410/08P	PX0410/08P/6065	A	8	6.0-6.5	4.15	3.40	3.11	2.67
177-PX0410/10P	PX0410/10P/6065	A	10	6.0-6.5	4.15	3.40	3.11	2.67
177-PX0410/12P	PX0410/12P/6065	A	12	6.0-6.5	4.15	3.40	3.11	2.67
<b>Sockets</b>								
167-PX0410/02S	PX0410/02S/5560	A	2	5.5-6.0	4.15	3.40	3.11	2.67
167-PX0410/03S	PX0410/03S/5560	A	3	5.5-6.0	4.15	3.40	3.11	2.67
167-PX0410/04S	PX0410/04S/4550	A	4	4.5-5.0	4.15	3.40	3.11	2.67
167-PX0410/06S	PX0410/06S/4550	A	6	4.5-5.0	4.15	3.40	3.11	2.67
167-PX0410/08S	PX0410/08S/6065	A	8	6.0-6.5	4.15	3.40	3.11	2.67
167-PX0410/10S	PX0410/10S/6065	A	10	6.0-6.5	4.15	3.40	3.11	2.67
167-PX0410/12S	PX0410/12S/6065	A	12	6.0-6.5	4.15	3.40	3.11	2.67

### Front Panel Mounting Connectors

- Mates with flex cable version
- Single hole fixing
- Gold plated contacts ordered separately
- RoHS Compliant per Bulgin documentation

RoHS Compliant  
For quantities of 250 and up, call for quote.

MOUSER STOCK NO.	Bulgin Part No.	Fig.	Poles	Price Each			
				1	25	50	100
<b>Plugs</b>							
177-PX0412/02P	PX0412/02P	C	2	3.54	3.18	2.65	2.45
177-PX0412/03P	PX0412/03P	C	3	3.54	3.18	2.65	2.45
177-PX0412/04P	PX0412/04P	C	4	3.54	3.18	2.65	2.45
177-PX0412/06P	PX0412/06P	C	6	3.54	3.18	2.65	2.45
177-PX0412/08P	PX0412/08P	C	8	3.54	3.18	2.65	2.45
177-PX0412/10P	PX0412/10P	C	10	3.54	3.18	2.65	2.45
177-PX0412/12P	PX0412/12P	C	12	3.54	3.18	2.65	2.45
<b>Sockets</b>							
167-PX0412/02S	PX0412/02S	C	2	3.54	3.18	2.65	2.45
167-PX0412/03S	PX0412/03S	C	3	3.54	3.18	2.65	2.45
167-PX0412/04S	PX0412/04S	C	4	3.54	3.18	2.65	2.45
167-PX0412/06S	PX0412/06S	C	6	3.54	3.18	2.65	2.45
167-PX0412/08S	PX0412/08S	C	8	3.54	3.18	2.65	2.45
167-PX0412/10S	PX0412/10S	C	10	3.54	3.18	2.65	2.45
167-PX0412/12S	PX0412/12S	C	12	3.54	3.18	2.65	2.45

### In-Line Flex Cable Connectors

- Mates with flex cable version
- For in-line cable connection
- Gold plated contacts ordered separately
- RoHS Compliant per Bulgin documentation

RoHS Compliant  
For quantities of 250 and up, call for quote.

MOUSER STOCK NO.	Bulgin Part No.	Fig.	Poles	Cable Dia. (mm)	Price Each			
					1	25	50	100
<b>Plugs</b>								
177-PX0411/02P	PX0411/02P/5560	B	2	5.5-6.0	4.15	3.40	3.11	2.67
177-PX0411/03P	PX0411/03P/5560	B	3	5.5-6.0	4.15	3.40	3.11	2.67
177-PX0411/04P	PX0411/04P/4550	B	4	4.5-5.0	4.15	3.40	3.11	2.67
177-PX0411/06P	PX0411/06P/4550	B	6	4.5-5.0	4.15	3.40	3.11	2.67
177-PX0411/08P	PX0411/08P/6065	B	8	6.0-6.5	4.15	3.40	3.11	2.67
177-PX0411/10P	PX0411/10P/6065	B	10	6.0-6.5	4.15	3.40	3.11	2.67
177-PX0411/12P	PX0411/12P/6065	B	12	6.0-6.5	4.15	3.40	3.11	2.67
<b>Sockets</b>								
167-PX0411/02S	PX0411/02S/5560	B	2	5.5-6.0	4.15	3.40	3.11	2.67
167-PX0411/03S	PX0411/03S/5560	B	3	5.5-6.0	4.15	3.40	3.11	2.67
167-PX0411/04S	PX0411/04S/4550	B	4	4.5-5.0	4.15	3.40	3.11	2.67
167-PX0411/06S	PX0411/06S/4550	B	6	4.5-5.0	4.15	3.40	3.11	2.67
167-PX0411/08S	PX0411/08S/6065	B	8	6.0-6.5	4.15	3.40	3.11	2.67
167-PX0411/10S	PX0411/10S/6065	B	10	6.0-6.5	4.15	3.40	3.11	2.67
167-PX0411/12S	PX0411/12S/6065	B	12	6.0-6.5	4.15	3.40	3.11	2.67

### 400 Series Buccaneer® Contacts

- RoHS Compliant per Bulgin documentation

RoHS Compliant  
For quantities of 250 and up, call for quote.

MOUSER STOCK NO.	Bulgin Part No.	Gender	Termination	For Use with Poles	Price Each			
					1	25	50	100
157-SA3350/1	SA3350/1	Plug	Solder	2, 3	5.56	5.00	4.17	3.85
157-SA3349/1	SA3349/1	Socket	Solder	2, 3	7.60	6.84	5.70	5.26
157-SA3350	SA3350	Plug	Crimp	2, 3	5.56	5.00	4.17	3.85
157-SA3349	SA3349	Socket	Crimp	2, 3	7.60	6.84	5.70	5.26
157-SA3348/1	SA3348/1	Plug	Solder	4, 6, 8	4.05	3.64	3.03	2.80
157-SA3347/1	SA3347/1	Socket	Solder	4, 6, 8	7.00	6.30	5.25	4.85
157-SA3348	SA3348	Plug	Crimp	4, 6, 8	4.05	3.64	3.03	2.80
157-SA3347	SA3347	Socket	Crimp	4, 6, 8	7.00	6.30	5.25	4.85
157-SA3180/1	SA3180/1	Plug	Solder	10, 12	3.39	3.05	2.54	2.35
157-SA3179/1	SA3179/1	Socket	Solder	10, 12	5.75	5.18	4.31	3.98

### Rear Panel Mounting Connectors

- Mates with flex cable version
- Single hole fixing
- Gold plated contacts ordered separately
- RoHS Compliant per Bulgin documentation

RoHS Compliant  
For quantities of 250 and up, call for quote.

MOUSER STOCK NO.	Bulgin Part No.	Fig.	Poles	Price Each			
				1	25	50	100
<b>Plugs</b>							
177-PX0413/04P/PC	PX0413/04P/PC	D	4	7.18	6.52	5.98	5.52
177-PX0413/06P/PC	PX0413/06P/PC	D	6	9.00	8.15	7.50	6.93
177-PX0413/08P/PC	PX0413/08P/PC	D	8	10.90	9.90	9.10	8.40
177-PX0413/10P/PC	PX0413/10P/PC	D	10	14.32	13.29	11.76	9.71
177-PX0413/12P/PC	PX0413/12P/PC	D	12	14.08	12.67	11.52	10.56
<b>Sockets</b>							
167-PX0413/04S/PC	PX0413/04S/PC	D	4	8.23	7.48	6.86	6.33
167-PX0413/06S/PC	PX0413/06S/PC	D	6	10.20	9.30	8.53	7.88
167-PX0413/08S/PC	PX0413/08S/PC	D	8	12.31	11.18	10.25	9.46
167-PX0413/10S/PC	PX0413/10S/PC	D	10	15.59	14.04	12.76	11.70
167-PX0413/12S/PC	PX0413/12S/PC	D	12	16.09	14.48	13.17	12.07

### 400 Series Buccaneer® Tools

For quantities greater than listed, call for quote.

MOUSER STOCK NO.	Bulgin Part No.	Description	Price Each	
			1	5
157-13027/2	13027/2	Insertion/Extraction Tool for 2, 3 Pole	4.90	4.55
157-13027/1	13027/1	Insertion/Extraction Tool for 4, 6, 8 Pole	4.90	4.55
157-13027	13027	Insertion/Extraction Tool for 10, 12 Pole	4.90	4.55
157-14025	14025	8 Indent Crimp Tool	321.03	299.82
157-14025/8AMP	14025/8AMP	Positioner for 2, 3 Pole - 8A, Blue	57.01	52.94
157-14025/5AMP	14025/5AMP	Positioner for 4, 6, 8 Pole - 5A, Red	57.01	52.94
157-14025/1AMP	14025/1AMP	Positioner for 10, 12 Pole - 1A, Green	57.01	52.94

### 400 Series Buccaneer® Accessories

- RoHS Compliant per Bulgin documentation

RoHS Compliant  
For quantities of 250 and up, call for quote.

MOUSER STOCK NO.	Bulgin Part No.	Description	Price Each			
			1	25	50	100
157-PX0481	PX0481	Sealing Cap for PX0410 type	1.05	.95	.79	.73
157-PX0480/1	PX0480/1	Sealing Cap for PX0411 type	1.05	.95	.79	.73
157-PX0480	PX0480	Sealing Cap for PX0412 type	1.05	.95	.79	.73
157-PX0484	PX0484	Sealing Cap for PX0413 type	1.37	1.25	1.14	1.05
157-PX0482	PX0482	Gland Pack for 3-5mm cable dia.	.76	.68	.57	.53
157-PX0483	PX0483	Gland Pack for 5-7mm cable dia.	.76	.68	.57	.53