

LITE-ON LED Arrays and Light Bars

LITEON®

DIMENSIONS mm (IN)

LED ARRAYS

Features:

- Rectangular light bar
- Large, bright, uniform light emitting areas
- Low power requirement
- Excellent ON-OFF contrast
- Can be used with panel and legend mount
- Easy mounting on P.C. Board
- Categorized for light output

For quantities of 250 and up, call for quote.

MOUSER STOCK NO.		Fig.	Pkg.	Color	Fwd. Volt @IF=20mA (typ.)	Lumin. Intensity (typ.)	Peak Wavelength (nm)	Price Each		
Mfr.	Mfr. Part Number							1	10	100
859—LTL-53173Y		A	12.7 X 6.35mm	Yellow	2.1	4200	585	.94	.79	.71
859—LTL-54173G		A	12.7 X 6.35mm	Green	2.1	4200	565	.86	.72	.64
859—LTL-57173HR		A	12.7 X 6.35mm	Red	2.0	4200	635	.80	.67	.60

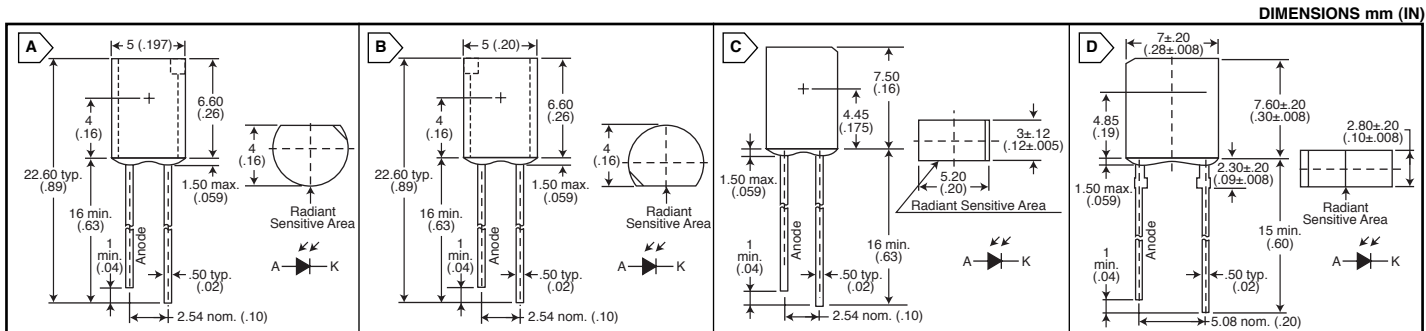
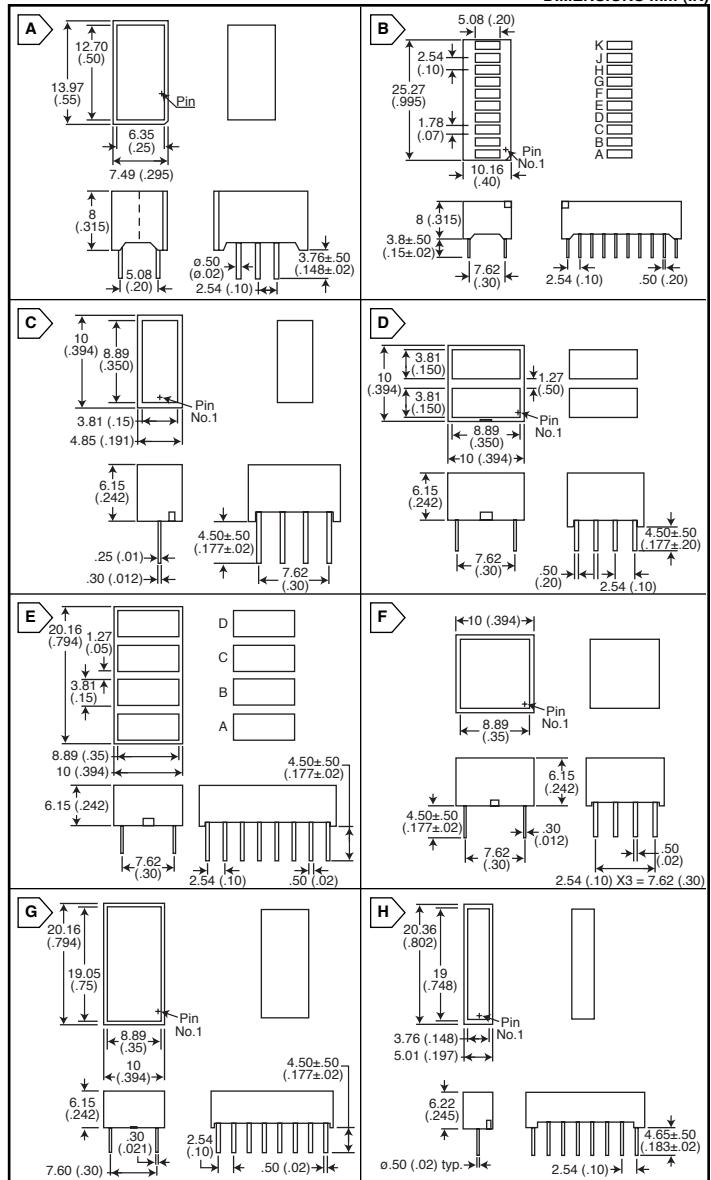
LIGHT BARS

Features:

- Rectangular light bar
- Large, bright, uniform light emitting areas
- Low power requirement
- High brightness and high contrast
- Solid state reliability
- Easy mounting
- Categorized for luminous intensity

For quantities of 250 and up, call for quote.

MOUSER STOCK NO.		Fig.	Package	Fwd. Volt (typ.)	Source Color	Typical Luminosity IF=10mA	Price Each		
Mfr.	Mfr. Part Number						1	10	100
859—LTA-1000G		B	DIP-20	2.1	Green	2000	1.35	1.13	1.01
859—LTA-1000E		B	DIP-20	2.0	Orange	2000	1.35	1.13	1.01
859—LTA-1000HR		B	DIP-20	2.0	Red	2000	1.35	1.13	1.01
859—LTL-2500G		C	8.89 X 3.81mm	2.1	Green	4200	1.09	.91	.82
859—LTL-2800G		D	8.89 X 3.81mm	2.1	Green	4200	1.67	1.39	1.25
859—LTL-2820G		E	8.89 X 3.81mm	2.1	Green	4200	1.67	1.39	1.25
859—LTL-2300HR		C	8.89 X 3.81mm	2.0	Red	4200	1.03	.86	.77
859—LTL-2600HR		D	8.89 X 3.81mm	2.0	Red	4200	1.65	1.38	1.24
859—LTL-2620HR		E	8.89 X 3.81mm	2.0	Red	4200	1.65	1.38	1.24
859—LTL-2400Y		C	8.89 X 3.81mm	2.1	Yellow	4200	1.09	.91	.82
859—LTL-2700Y		D	8.89 X 3.81mm	2.1	Yellow	4200	1.83	1.53	1.38
859—LTL-2720Y		E	8.89 X 3.81mm	2.1	Yellow	4200	1.83	1.53	1.38
859—LTL-2855G		F	8.89 X 8.89mm	2.1	Green	8000	1.67	1.39	1.25
859—LTL-2655HR		F	8.89 X 8.89mm	2.0	Red	8000	1.65	1.38	1.24
859—LTL-2755Y		F	8.89 X 8.89mm	2.1	Yellow	8000	2.60	2.17	1.95
859—LTL-2885G		G	8.89 X 19.05mm	2.1	Green	16000	1.67	1.39	1.25
859—LTL-2685HR		G	8.89 X 19.05mm	2.0	Red	16000	1.65	1.38	1.24
859—LTL-2785Y		G	8.89 X 19.05mm	2.1	Yellow	16000	1.83	1.53	1.38
859—LTL-2550G		H	19 X 3.76mm	2.1	Green	8000	1.20	1.00	.90
859—LTL-2450Y		H	19 X 3.76mm	2.1	Yellow	8000	1.31	1.09	.98



INFRARED PHOTODIODES

For quantities of 250 and up, call for quote.

MOUSER STOCK NO.		Fig.	Package	Peak Wavelength (nm)	V(BR) R Min. (V)	Rise Fall	Max Power (mW)	Ic(on)/Is	Price Each		
Mfr.	Mfr. Part Number								1	10	100
859—LTR-516AD		A	Dark Blue	900	30	50/50	150	1.7	.53	.45	.40
859—LTR-526AD		B	Dark Green	900	30	50/50	150	1.7	.53	.45	.40
859—LTR-536AD		C	Dark Green	900	30	50/50	150	1.7	.80	.66	.60
859—LTR-546AD		D	Dark Blue	900	30	50/50	150	1.7	.69	.58	.52
859—LTR-546AD		D	Dark Blue	900	30	50/50	150	1.7	.80	.66	.60