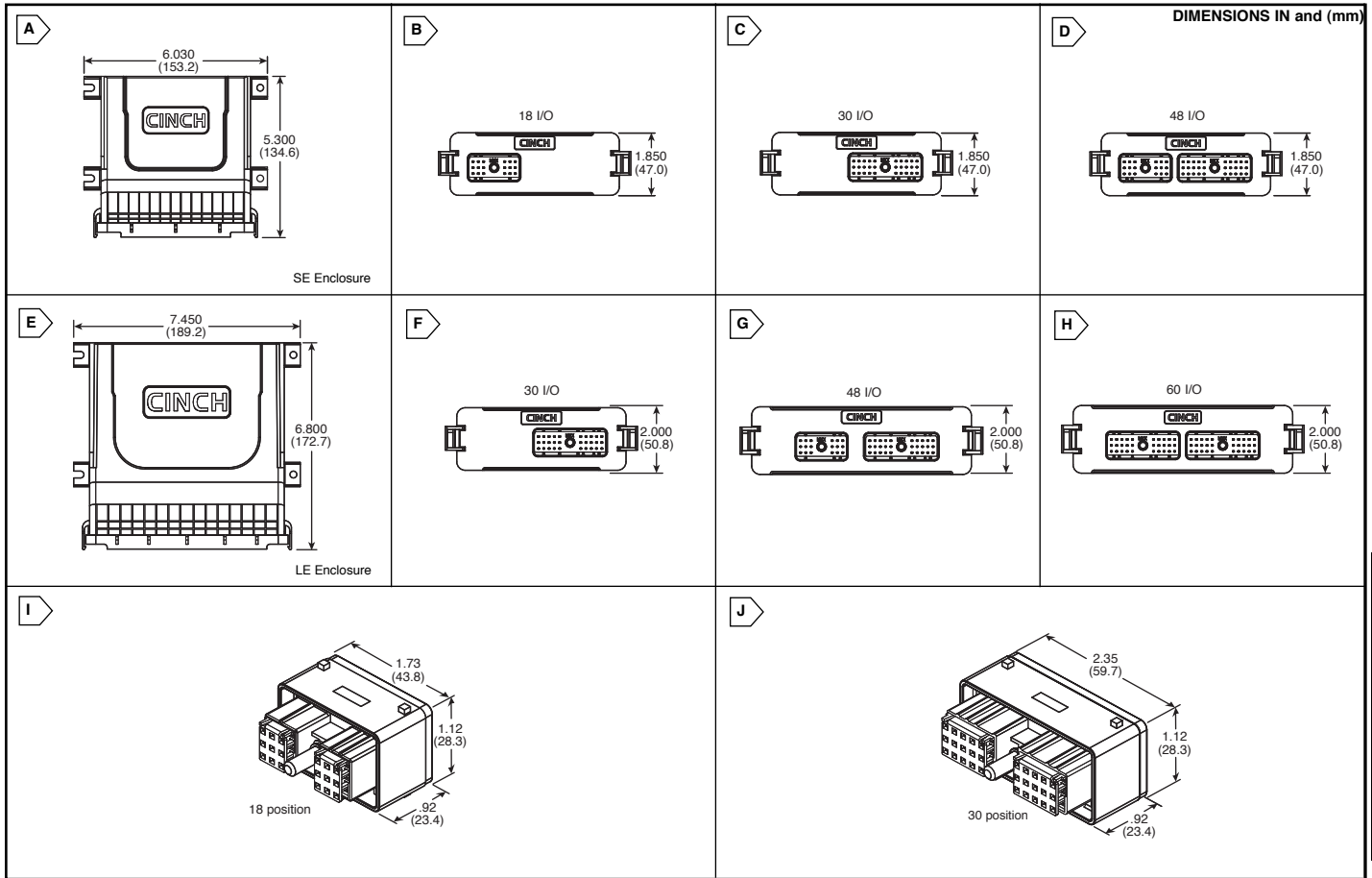


# CINCH Modular Integrated Connector Enclosures



Rectangular Connectors Cinch

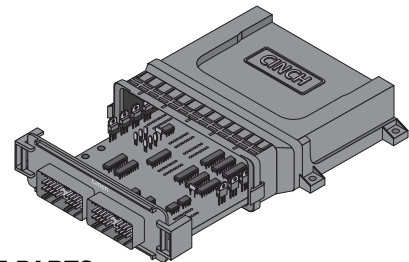
ModICE offers a high quality sealed electro-mechanical interface and is rated IP67 and IP69. Ideal for use in On/Off highway vehicles, agricultural, construction or material handling equipment and other specialty applications.

**Features:**

- Rugged connector enclosure system
- Header suited for wave and reflow soldering
- Header modularity allows for various designs (Coax, Power I/O, etc.)
- Heat Sink Option
- Ferrite Filtering Option
- Interfaces with Cinch SHS, industry standard harness connectors
- Simple Assembly
- Headers are preinstalled with contacts
- Measurements: SE: 6.030" (153.2) x 5.300" (134.6)  
LE: 7.450" (189.2) x 6.800" (172.7)

**Materials:**

- Enclosure: Glass filled polymer
- Glass filled, high temperature, polymer
- Left and Right Side: Spring needed for enclosures with a heat sink
- Terminals: Brass. Post Tin plated. Seals: Silicone



**SE ENCLOSURE PARTS**

For quantities of 10 and up, call for quote.

MOUSER STOCK NO.	Cinch Part No.	Fig.	Description	Price Each	
				1	5
538-581-01-30-043	581-01-30-043	A	SE Enclosure, Black without heat sink	17.21	15.65
538-581-01-30-042	581-01-30-042	A	SE Enclosure, Black with 1 heat sink	27.92	25.38
538-581-01-30-041	581-01-30-041	A	SE Enclosure, Black with 2 heat sink	38.66	35.15
538-581-00-00-020	581-00-00-020	-	Left side spring for encls. w/ heat sink	3.83	3.44
538-581-00-00-021	581-00-00-021	-	Right side spring for encls. w/ heat sink	3.83	3.44
538-581-01-18-032	581-01-18-032	B	18 Position Black I/O Header	17.21	15.65
538-581-01-30-044	581-01-30-044	C	30 Position Black I/O Header	21.67	19.70
538-581-01-48-005	581-01-48-005	D	48 Position Black I/O Header	28.24	25.67
538-581-01-18-033	581-01-18-033	B	18 Position Black I/O Filtered Header	17.47	15.88
538-581-01-30-046	581-01-30-046	C	30 Position Black I/O Filtered Header	21.67	19.70
538-581-01-48-007	581-01-48-007	D	48 Position Black I/O Filtered Header	33.05	30.05

**LE ENCLOSURE PARTS**

For quantities of 10 and up, call for quote.

MOUSER STOCK NO.	Cinch Part No.	Fig.	Description	Price Each	
				1	5
538-581-01-60-033	581-01-60-033	E	LE Enclosure, Black without heat sink	21.38	19.44
538-581-01-60-032	581-01-60-032	E	LE Enclosure, Black with 1 heat sink	31.96	29.05
538-581-01-60-031	581-01-60-031	E	LE Enclosure, Black with 2 heat sink	42.49	38.63
538-581-00-00-020	581-00-00-020	-	Left side spring for encls. w/ heat sink	3.83	3.44
538-581-00-00-021	581-00-00-021	-	Right side spring for encls. w/ heat sink	3.83	3.44
538-581-01-30-045	581-01-30-045	F	30 Position Black I/O Header	21.67	19.70
538-581-01-48-006	581-01-48-006	G	48 Position Black I/O Header	29.10	26.46
538-581-01-60-005	581-01-60-005	H	60 Position Black I/O Header	34.57	31.43
538-581-01-30-051	581-01-30-051	F	30 Position Black I/O Filtered Header	25.65	23.31
538-581-01-48-008	581-01-48-008	G	48 Position Black I/O Filtered Header	34.78	31.62
538-581-01-60-006	581-01-60-006	H	60 Position Black I/O Filtered Header	40.74	37.04

**SHS HARNESS CONNECTORS**

To configure harnesses to mate with the headers, please add the total positions of each harness in combination to match the number of positions of the header. For example: One 18 position harness, 538-581-01-18-023 and one 30 position harness, 538-581-01-30-028 are to be used to mate with the 48 position I/O header. One 30 position harness, 538-581-01-30-028 and one 30 position Alternative Key harness, 538-581-01-30-029 are to be used with the 60 pos I/O header.

For quantities of 10 and up, call for quote.

MOUSER STOCK NO.	Cinch Part No.	Fig.	No. of Positions	Price Each	
				1	5
538-581-01-18-023	581-01-18-023	I	18	8.18	7.43
*538-581-01-30-028	581-01-30-028	J	30	10.58	9.62
**538-581-01-30-029	581-01-30-029	-	30	10.58	9.62

\* Only Mates to 538-581-01-60-005 in conjunction with 538-581-01-30-029  
\*\* Alternative Key Configuration

**CONTACTS FOR SHS HARNESS CONNECTORS**

- Crimp contacts

For quantities of 500 and up, call for quote.

MOUSER STOCK NO.	Cinch Part No.	Description	Price Each	
			1	100
538-425-00-00-872	425-00-00-872	SHS terminal 20 AWG GXL, 18 AWG TXL	.16	.15
538-425-00-00-873	425-00-00-873	SHS terminal 18 AWG GXL, 16 AWG TXL, 16 AWG GXL	.10	.09

