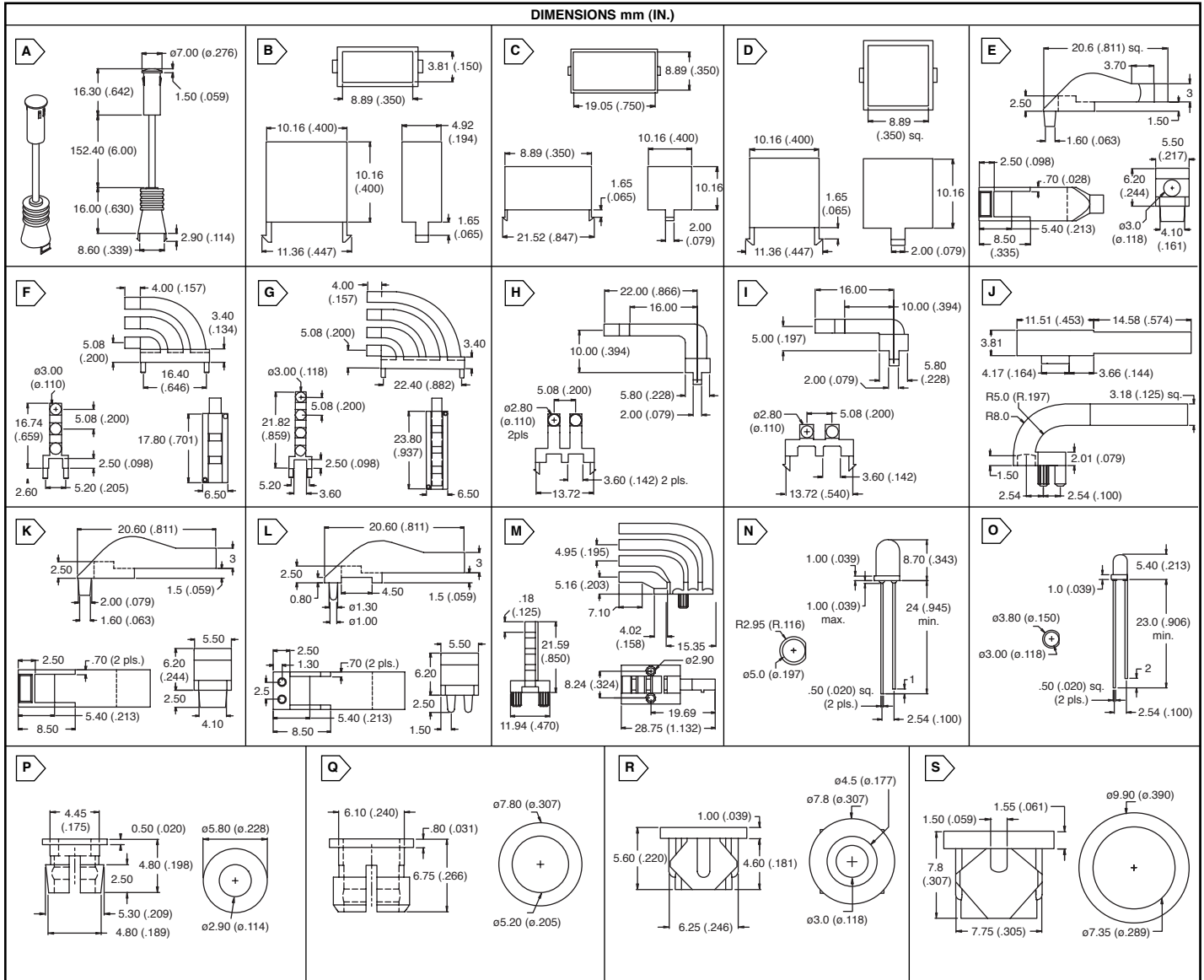


LUMEX LED Products



For quantities of 2000 and up, call for quote.

MOUSER STOCK NO.	Lumex Part No.	Fig.	Description	Price Each			
				1	100	500	1000
Light Pipes							
696-C011701S-150B	LPI-C011701S-150B	A	Blue Flexible Light Transporters	2.48	2.23	1.86	1.67
696-C011701S-150C	LPI-C011701S-150C	A	Clear Flexible Light Transporters	2.48	2.23	1.86	1.67
696-C011701S-150G	LPI-C011701S-150G	A	Green Flexible Light Transporters	2.48	2.23	1.86	1.67
696-LPB-R0111051S	LPB-R0111051S	B	10mm x 5mm	1.80	1.50	1.20	.90
696-LPB-R01120101S	LPB-R01120101S	C	20mm x 10mm	2.43	2.02	1.62	1.21
696-LPB-S01110101S	LPB-S01110101S	D	10mm x 10mm	2.07	1.72	1.38	1.03
696-LPF-C011301S	LPF-C011301S	E	3mm Right Angle	.72	.60	.48	.36
696-LPF-C011302S	LPF-C011302S	E	3mm Right Angle	.72	.60	.48	.36
696-LPF-C013301S	LPF-C013301S	F	Tri 3mm Right Angle	1.35	1.12	.90	.67
696-LPF-C014301S	LPF-C014301S	G	Quad 3mm Right Angle	1.44	1.20	.96	.72
696-LPF-C021303S	LPF-C021303S	H	2.8mm 2 Unit Stackable (Upper)	1.71	1.42	1.14	.85
696-LPF-C021304S	LPF-C021304S	I	2.8mm 2 Unit Stackable (Lower)	1.71	1.42	1.14	.85
696-LPF-R011331S	LPF-R011331S	J	3mm Right Angle	.39	.32	.26	.19
696-LPF-R011361S	LPF-R011361S	K	3mm Right Angle	.72	.60	.48	.36
696-LPF-R011362S	LPF-R011362S	L	3mm Right Angle	.72	.60	.48	.36
696-LPF-S014331S	LPF-S014331S	M	Quad 3mm Right Angle	.27	.22	.18	.13
Infrared Emitting Diode							
696-OED-EL-1L2	OED-EL-1L2	N	5mm IRED	.27	.22	.18	.13
696-OED-EL-8L	OED-EL-8L	O	3mm IRED	.27	.22	.18	.13
LED Mounting Hardware							
696-SSH-LX3050	SSH-LX3050	P	3mm LED Panel Holder	.10	.08	.07	.05
696-SSH-LX5090	SSH-LX5090	Q	5mm LED Panel Bezel	.10	.08	.07	.05
696-SSH-LX5091	SSH-LX5091	Q	5mm LED Panel Holder	.10	.08	.07	.05
696-SSH-LXH301	SSH-LXH301	R	3mm LED Panel Bezel	.10	.08	.07	.05
696-SSH-LXH501	SSH-LXH501	S	5mm LED Panel Bezel	.10	.08	.07	.05