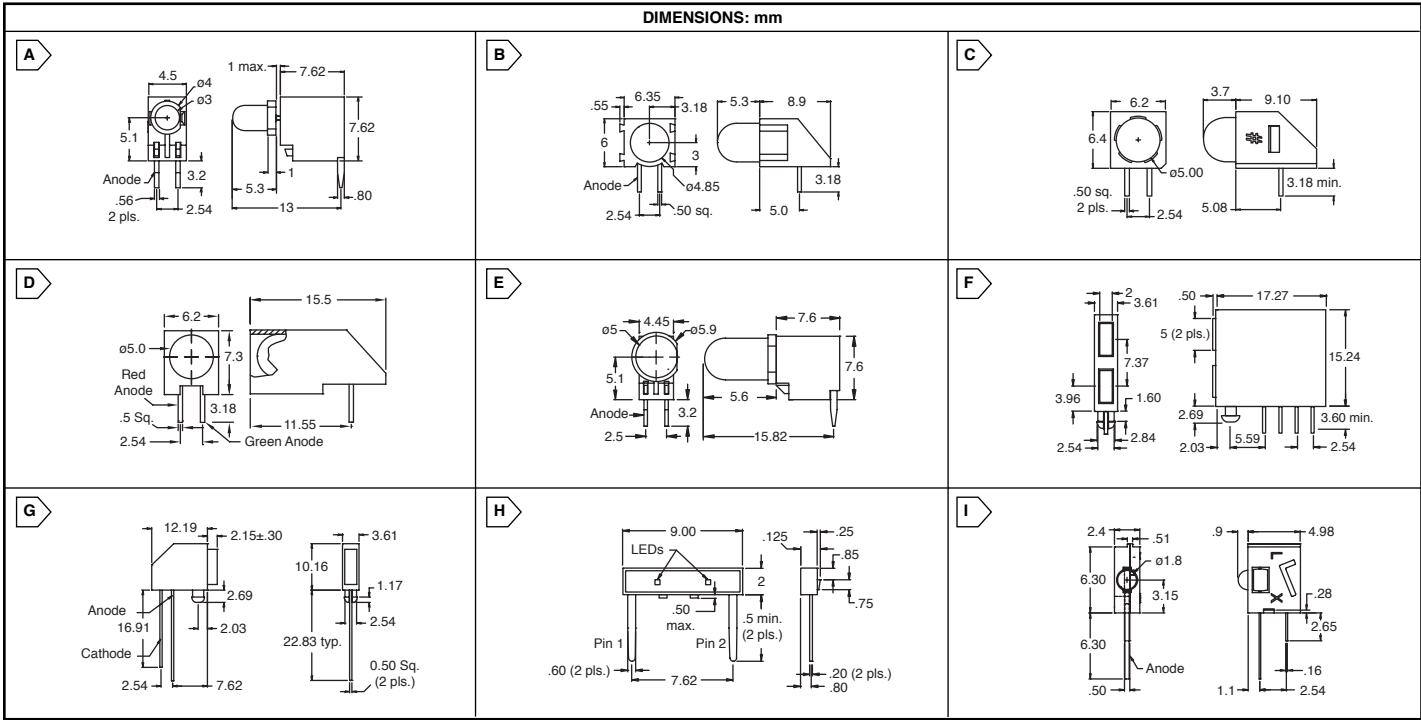


LUMEX LED Circuit Board Indicators



Illumination

Lumex



For quantities of 2000 and up, call for quote.

| MOUSER STOCK NO. | Lumex Part No. | Fig. | Color | | Peak Wavelength (nm) | Vf (V) Typ. | If (mA) Max. | IO mcd | Viewing Angle | Price Each | | | |
|---------------------------|------------------|------|----------------|--------------------|----------------------|-------------|--------------|--------|---------------|------------|------|------|------|
| | | | LED | Lens | | | | | | 1 | 100 | 500 | 1000 |
| 3mm Relampable | | | | | | | | | | | | | |
| 696-SSF-LXH4RABID | SSF-LXH4RABID | A | Red (blinking) | Red Diffused | 635 | 3.5 | 20 | 6 | 60° | 2.58 | 2.15 | 1.72 | 1.50 |
| 696-SSF-LXH4RAGD | SSF-LXH4RAGD | A | Green | Green Diffused | 565 | 2.1 | 25 | 30 | 60° | .96 | .80 | .64 | .56 |
| 696-SSF-LXH4RAHGW | SSF-LXH4RAHGW | A | Red/Green | White Diffused | 700/565 | 2.1 | 25 | 3/4 | 60° | 1.38 | 1.15 | .92 | .80 |
| 696-SSF-LXH4RAID | SSF-LXH4RAID | A | Red | Red Diffused | 635 | 2.1 | 30 | 40 | 60° | .96 | .80 | .64 | .56 |
| 696-SSF-LXH4RAYD | SSF-LXH4RAYD | A | Yellow | Yellow Diffused | 585 | 2.1 | 30 | 30 | 60° | 1.38 | 1.15 | .92 | .80 |
| PC LED 5mm | | | | | | | | | | | | | |
| 696-SSF-LXH100MGD | SSF-LXH100MGD | B | Green | Green Diffused | 565 | 2.2 | 25 | 30 | 60° | .30 | .25 | .20 | .17 |
| 696-SSF-LXH100MHGW | SSF-LXH100MHGW | B | Red/Green | White Diffused | 700/565 | 2.0/2.2 | 30 | 6/20 | 60° | .54 | .45 | .36 | .31 |
| 696-SSF-LXH100MID | SSF-LXH100MID | B | Red | Red Diffused | 635 | 2 | 30 | 30 | 60° | .30 | .25 | .20 | .17 |
| 696-SSF-LXH100MLGD | SSF-LXH100MLGD | B | Green | Green Diffused | 565 | 2.2 | 25 | 30 | 60° | .30 | .25 | .20 | .17 |
| 696-SSF-LXH100MLID | SSF-LXH100MLID | B | Red | Red Diffused | 635 | 2 | 30 | 30 | 60° | .30 | .25 | .20 | .17 |
| 696-SSF-LXH100MSRD | SSF-LXH100MSRD | B | Red | Red Diffused | 660 | 1.8 | 30 | 100 | 60° | .48 | .40 | .32 | .28 |
| 696-SSF-LXH100MYD | SSF-LXH100MYD | B | Yellow | Yellow Diffused | 585 | 2.1 | 30 | 30 | 60° | .30 | .25 | .20 | .17 |
| 696-SSF-LXH104GD | SSF-LXH104GD | C | Green | Green Diffused | 565 | 2.2 | 25 | 30 | 60° | .33 | .27 | .22 | .19 |
| 696-SSFLXH104HD-5V | SSF-LXH104HD-5V | C | Red | Red Diffused | 695 | 5 | 12 | 3 | 60° | .60 | .50 | .40 | .35 |
| 696-SSF-LXH104ID | SSF-LXH104ID | C | Red | Red Diffused | 635 | 2 | 30 | 20 | 60° | .33 | .27 | .22 | .19 |
| 696-SSF-LXH104YD | SSF-LXH104YD | C | Yellow | Yellow Diffused | 585 | 2.1 | 30 | 20 | 60° | .33 | .27 | .22 | .19 |
| 696-SSF-LXH1071GD | SSF-LXH1071GD | D | Green | Green Diffused | 565 | 2.1 | 30 | 20 | 80° | .42 | .35 | .28 | .24 |
| 696-SSF-LXH1071HGW | SSF-LXH1071HGW | D | Red/Green | White Diffused | 700/565 | 2.1 | 30 | 5/8 | 80° | .66 | .55 | .44 | .39 |
| 696-SSF-LXH1071ID | SSF-LXH1071ID | D | Red | Red Diffused | 635 | 2.1 | 30 | 40 | 60° | .42 | .35 | .28 | .24 |
| 696-SSF-LXH1071LGD | SSF-LXH1071LGD | D | Green | Green Diffused | 565 | 1.9 | 30 | 20 | 80° | .42 | .35 | .28 | .24 |
| 696-SSF-LXH1071SRD | SSF-LXH1071SRD | D | Red | Red Diffused | 660 | 1.7 | 30 | 40 | 80° | .72 | .60 | .48 | .42 |
| 696-SSF-LXH1071YD | SSF-LXH1071YD | D | Yellow | Yellow Diffused | 585 | 2.1 | 30 | 20 | 80° | .42 | .35 | .28 | .24 |
| 5mm Mating 5V | | | | | | | | | | | | | |
| 696-SSFLXH100MGD5V | SSF-LXH100MGD-5V | B | Green | Green Diffused | 565 | 5 | 30 | 20 | 60° | .60 | .50 | .40 | .35 |
| 696-SSFLXH100MID5V | SSF-LXH100MID-5V | B | Red | Red Diffused | 635 | 5 | 12 | 20 | 30° | .60 | .50 | .40 | .35 |
| 5mm Relampable | | | | | | | | | | | | | |
| 696-SSF-LXH4RA5GD | SSF-LXH4RA5GD | E | Green | Green Diffused | 565 | 2.1 | 25 | 30 | 60° | .96 | .80 | .64 | .56 |
| 696-SSF-LXH4RA5LID | SSF-LXH4RA5LID | E | Red | Red Diffused | 635 | 2.1 | 30 | 40 | 60° | .96 | .80 | .64 | .56 |
| 696-SSF-LXH4RA5SRD | SSF-LXH4RA5SRD | E | Red | Red Diffused | 660 | 1.7 | 30 | 80 | 60° | 1.38 | 1.15 | .92 | .80 |
| 2mm x 5mm | | | | | | | | | | | | | |
| 696-LXH22573GGD | SSF-LXH22573GGD | F | Green | Green Diffused | 565 | 2.2 | 25 | 10 | 110° | .72 | .60 | .48 | .42 |
| 696-LXH22573LIID | SSF-LXH22573LIID | F | Red | Red Diffused | 635 | 2 | 30 | 10 | 80° | 1.26 | 1.05 | .84 | .73 |
| 696-LXH22573YYD | SSF-LXH22573YYD | F | Yellow | Yellow Diffused | 585 | 2.1 | 30 | 10 | 110° | .72 | .60 | .48 | .42 |
| 2.5mm x 7mm | | | | | | | | | | | | | |
| 696-SSF-LXH25780YD | SSF-LXH25780YD | G | Yellow | Yellow Diffused | 585 | 2.1 | 30 | 9 | 110° | .48 | .40 | .32 | .28 |
| 9mm x 2mm | | | | | | | | | | | | | |
| 696-SSB-LX02GC | SSB-LX02GC | H | Green | Green Translucent | 565 | 4.4 | 25 | 10 | 160° | .72 | .60 | .48 | .42 |
| 696-SSB-LX02SRC | SSB-LX02SRC | H | Red | Red Translucent | 660 | 3.6 | 30 | 50 | 160° | .75 | .62 | .50 | .43 |
| 696-SSB-LX02YC | SSB-LX02YC | H | Yellow | Yellow Translucent | 590 | 4.2 | 30 | 170 | 160° | .78 | .65 | .52 | .45 |
| Single Right Angle | | | | | | | | | | | | | |
| 696-SSF-LXH555ID | SSF-LXH555ID | I | Red | Red Diffused | 635 | 2 | 30 | 8 | 60° | .72 | .60 | .48 | .42 |
| 696-SSF-LXH555YD | SSF-LXH555YD | I | Yellow | Yellow Diffused | 585 | 2.1 | 30 | 8 | 60° | .72 | .60 | .48 | .42 |
| 696-SSF-LXH555GD | SSF-LXH555GD | I | Green | Green Diffused | 565 | 2.1 | 25 | 8 | 60° | .72 | .60 | .48 | .42 |