

MOLEX Single and Dual Row Micro-Fit 3.0™ Connectors



CRIMP HOUSINGS-SINGLE ROW

- Positive latching to mating headers or plugs
- Fully isolated contacts
- Integral pull tabs for ease in unmating
- 3.00mm (0.118") Pitch
- Receptacle mates with 43640 series and 43650 series
- Wire to Wire
- RoHS Compliant per Molex documentation



RoHS Compliant

For quantities of 500 and up, call for quote.

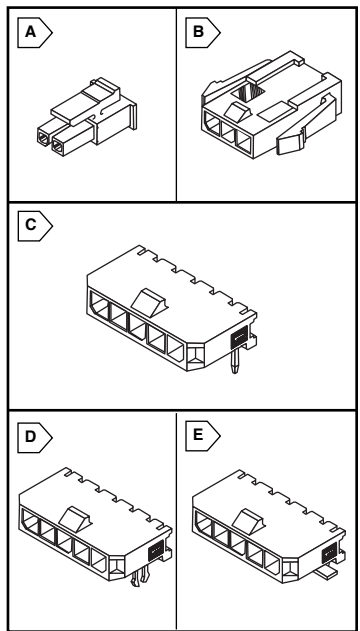
MOUSER STOCK NO.	Molex Part No.	Fig.	No. of Circuits	Price Each		
				1	10	100
Receptacles						
538-43645-0200	43645-0200	A	2	.24	.21	.19
538-43645-0300	43645-0300	A	3	.25	.22	.21
538-43645-0400	43645-0400	A	4	.27	.24	.23
538-43645-0500	43645-0500	A	5	.30	.27	.25
538-43645-0600	43645-0600	A	6	.33	.29	.27
Plugs-Free Hanging						
538-43640-0201	43640-0201	B	2	.24	.21	.19
538-43640-0301	43640-0301	B	3	.25	.22	.21
538-43640-0401	43640-0401	B	4	.27	.24	.23
538-43640-0501	43640-0501	B	5	.50	.45	.43
538-43640-0601	43640-0601	B	6	.44	.42	.41
Plugs-Panel Mount						
538-43640-0200	43640-0200	B	2	.30	.25	.23
538-43640-0300	43640-0300	B	3	.30	.26	.25
538-43640-0500	43640-0500	B	5	.61	.50	.45
538-43640-0600	43640-0600	B	6	.65	.53	.48

PCB HEADERS - SINGLE ROW

- Snap-in peg locks header to PCB for optimum retention
- Surface Mount Compatible
- Fully polarized to mating receptacle
- Mates with 43645 Series
- Wire to Board
- 3.00mm (0.118") Pitch

For quantities of 500 and up, call for quote.

MOUSER STOCK NO.	Molex Part No.	Fig.	No. of Circuits	Plating	Price Each		
					1	10	100
Right Angle with Snap-In Plastic Peg							
538-43650-0200	43650-0200	C	2	Tin	.50	.42	.37
538-43650-0300	43650-0300	C	3	Tin	.53	.48	.43
538-43650-0400	43650-0400	C	4	Tin	.55	.50	.45
538-43650-0500	43650-0500	C	5	Tin	1.30	1.04	.94
538-43650-0600	43650-0600	C	6	Tin	1.25	1.00	.90
538-43650-0201	43650-0201	C	2	15µ" Gold	.78	.71	.64
538-43650-0301	43650-0301	C	3	15µ" Gold	1.06	.85	.76
538-43650-0401	43650-0401	C	4	15µ" Gold	1.56	1.41	1.33
Right Angle with PCB Press-fit Retention Clip							
538-43650-0210	43650-0210	D	2	15µ" Gold	3.19	2.84	1.91
538-43650-0310	43650-0310	D	3	15µ" Gold	3.58	3.19	2.15
538-43650-0410	43650-0410	D	4	15µ" Gold	3.96	3.53	2.38
538-43650-0510	43650-0510	D	5	15µ" Gold	4.32	3.85	2.59
538-43650-0610	43650-0610	D	6	15µ" Gold	5.12	4.56	3.07
Right Angle with Solder Tabs							
538-43650-0212	43650-0212	E	2	Tin	1.24	1.10	.74
538-43650-0413	43650-0413	E	4	15µ" Gold	1.73	1.54	1.04
538-43650-0513	43650-0513	E	5	15µ" Gold	3.11	2.77	1.86
538-43650-0613	43650-0613	E	6	15µ" Gold	4.81	4.29	2.89



CRIMP HOUSINGS-DUAL ROW

- Wire to Wire
- Fully isolated contacts
- Fully polarized
- Voltage: 250V
- Current: 5.0 max.
- Mates with 43020 Series and 43045 Series
- Contact resistance: 10mΩ max.
- Housing: UL94V-0
- Contacts: phosphor bronze
- Plating: tin or 30µ" gold
- 3.00mm (0.118") Pitch
- Receptacle mates w/ Series 43020 and 43045 Series



E29179



LR19980

For quantities of 500 and up, call for quote.

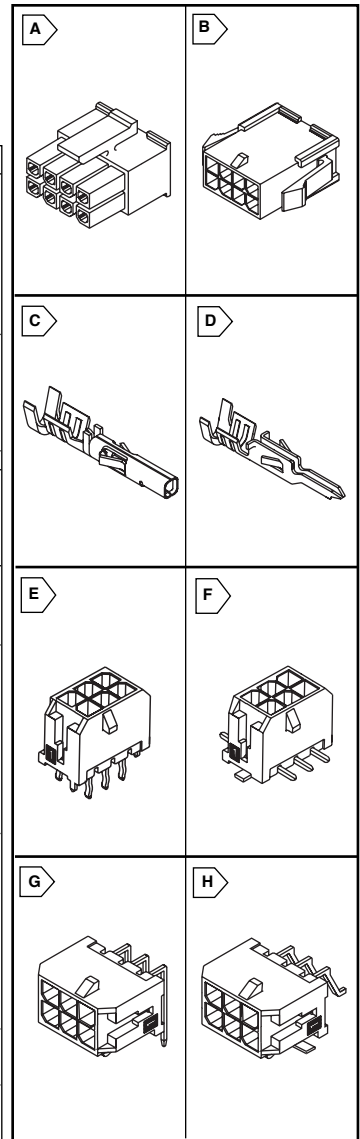
MOUSER STOCK NO.	Molex Part No.	Fig.	No. of Circuits	Price Each		
				1	10	100
Receptacles						
538-43025-0200	43025-0200	A	2	.26	.23	.21
538-43025-0400	43025-0400	A	4	.30	.27	.24
538-43025-0600	43025-0600	A	6	.36	.32	.29
538-43025-0800	43025-0800	A	8	.42	.37	.33
538-43025-1000	43025-1000	A	10	.48	.43	.39
538-43025-1200	43025-1200	A	12	.57	.51	.46
538-43025-1400	43025-1400	A	14	.81	.74	.67
538-43025-1600	43025-1600	A	16	.67	.56	.48
538-43025-1800	43025-1800	A	18	.91	.82	.68
538-43025-2000	43025-2000	A	20	1.21	1.15	1.07
538-43025-2400	43025-2400	A	24	1.04	.98	.93
Plugs- Panel Mount						
538-43020-0200	43020-0200	B	2	.26	.23	.21
538-43020-0400	43020-0400	B	4	.30	.27	.24
538-43020-0600	43020-0600	B	6	.37	.33	.30
538-43020-0800	43020-0800	B	8	.45	.33	.28
538-43020-1000	43020-1000	B	10	.51	.45	.41
538-43020-1200	43020-1200	B	12	.57	.51	.46
Plugs- Free Hanging						
538-43020-0201	43020-0201	B	2	.27	.23	.21
538-43020-0401	43020-0401	B	4	.37	.35	.32
538-43020-0601	43020-0601	B	6	.40	.30	.25
538-43020-0801	43020-0801	B	8	.51	.47	.44
538-43020-1001	43020-1001	B	10	.65	.55	.49

PCB HEADERS-DUAL ROW

- Surface mount compatible with PCB polarizing pegs
- Fully polarized to mating receptacle

For quantities of 500 and up, call for quote.

MOUSER STOCK NO.	Molex Part No.	Fig.	No. of Circuits	Plating	Price Each		
					1	10	100
Vertical, Thru-Hole							
538-43045-0212	43045-0212	E	2	Tin	.87	.71	.51
538-43045-0412	43045-0412	E	4	Tin	.50	.42	.38
538-43045-0612	43045-0612	E	6	Tin	.60	.53	.47
538-43045-0812	43045-0812	E	8	Tin	.90	.80	.72
538-43045-1012	43045-1012	E	10	Tin	.85	.75	.70
538-43045-1212	43045-1212	E	12	Tin	1.05	.93	.83
538-43045-0214	43045-0214	E	2	Gold	.62	.57	.51
538-43045-0414	43045-0414	E	4	Gold	.75	.65	.60
538-43045-0614	43045-0614	E	6	Gold	1.00	.90	.81
538-43045-0814	43045-0814	E	8	Gold	1.25	1.11	1.00
538-43045-1014	43045-1014	E	10	Gold	2.82	2.56	2.31
538-43045-1214	43045-1214	E	12	Gold	1.80	1.63	1.50
Vertical with Solder Tabs							
538-43045-0218	43045-0218	F	2	Tin	1.05	.95	.82
538-43045-0418	43045-0418	F	4	Tin	1.15	1.05	.95
538-43045-0618	43045-0618	F	6	Tin	1.35	1.20	1.06
538-43045-0818	43045-0818	F	8	Tin	1.75	1.55	1.40
538-43045-1018	43045-1018	F	10	Tin	1.55	1.45	1.30
538-43045-0220	43045-0220	F	2	Gold	1.25	1.13	1.02
538-43045-0420	43045-0420	F	4	Gold	2.44	2.20	2.08
538-43045-0620	43045-0620	F	6	Gold	2.46	2.22	2.10
538-43045-1020	43045-1020	F	10	Gold	2.15	1.93	1.82
Right Angle with Snap-In Plastic Peg							
538-43045-0200	43045-0200	G	2	Tin	.45	.40	.33
538-43045-0400	43045-0400	G	4	Tin	.65	.56	.50
538-43045-0600	43045-0600	G	6	Tin	.70	.65	.57
538-43045-0800	43045-0800	G	8	Tin	.90	.78	.70
538-43045-1000	43045-1000	G	10	Tin	1.00	.91	.82
538-43045-1200	43045-1200	G	12	Tin	1.15	1.05	.95
538-43045-1400	43045-1400	G	14	Tin	1.40	1.26	1.14
538-43045-1600	43045-1600	G	16	Tin	1.60	1.45	1.30
538-43045-2000	43045-2000	G	20	Tin	1.80	1.65	1.50
538-43045-0202	43045-0202	G	2	Gold	.65	.58	.52
538-43045-0402	43045-0402	G	4	Gold	.86	.80	.71
538-43045-0602	43045-0602	G	6	Gold	1.25	1.10	.98
538-43045-0802	43045-0802	G	8	Gold	1.35	1.25	1.11
538-43045-1002	43045-1002	G	10	Gold	1.60	1.43	1.28
538-43045-1202	43045-1202	G	12	Gold	1.80	1.65	1.47
538-43045-1402	43045-1402	G	14	Gold	2.05	1.85	1.70
538-43045-2202	43045-2202	G	22	Gold	3.05	2.75	2.60
538-43045-2402	43045-2402	G	24	Gold	3.34	3.01	2.84
Right Angle with Solder Tabs							
538-43045-0209	43045-0209	H	2	Tin	1.00	.86	.78
538-43045-0409	43045-0409	H	4	Tin	1.15	1.05	.95
538-43045-0609	43045-0609	H	6	Tin	1.68	1.52	1.43
538-43045-0211	43045-0211	H	2	Gold	1.62	1.47	1.33
538-43045-0411	43045-0411	H	4	Gold	1.73	1.57	1.42
538-43045-0811	43045-0811	H	8	Gold	3.22	2.90	2.74



Terminals

- Use with 43025 series and 43645 series receptacles

For quantities of 1000 and up, call for quote.

MOUSER STOCK NO.	Molex Part No.	Fig.	AWG	Plating	Price Each		
					1	100	500
Sockets							
538-43030-0007	43030-0007	C	20-24	Tin	.15	.09	.07
538-43030-0010	43030-0010	C	26-30	Tin	.12	.13	.11
538-43030-0008	43030-0008	C	20-24	Gold	.15	.13	.11
538-43030-0009	43030-0009	C	20-24	Gold	.16	.10	.09
538-43030-0011	43030-0011	C	26-30	Gold	.16	.14	.12
538-43030-0012	43030-0012	C	26-30	Gold	.15	.13	.11
Pins							
538-43031-0007	43031-0007	D	20-24	Tin	.15	.13	.11
538-43031-0010	43031-0010	D	26-30	Tin	.15	.09	.07
538-43031-0008	43031-0008	D	20-24	Gold	.18	.11	.10
538-43031-0009	43031-0009	D	20-24	Gold	.19	.15	.12
538-43031-0012	43031-0012	D	26-30	Gold	.19	.15	.12

Tools