

# MOLEX FFC / FPC 1.00mm Connectors



## 1.00MM (.039") PITCH FFC/FPC CONNECTORS

For 0.30mm thick FFC/FPC. Metal solder tabs provide PCB hold-down and strain relief for SMT tails. ZIF: Zero Insertion Force.

### Right Angle, SMT, ZIF - Top Contact Style

#### Specifications:

- Voltage: 125V
- Current: 1.0A
- Dielectric Withstanding Voltage: 500V AC/1 min.

- Housing: 4/6 Nylon, UL 94V-0
- Actuator: PPS, UL 94V-0
- Contact: Phosphor Bronze

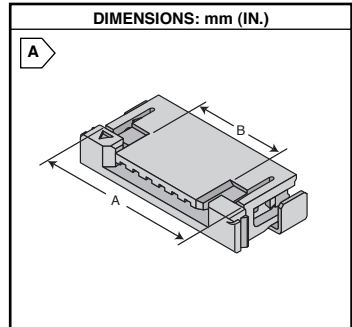
- Plating: Tin
- Solder Tabs: Copper Alloy, Tin plating
- Operating Temperature: -20 to +85°C



RoHS Compliant

For quantities of 500 or more, call for quote.

MOUSER STOCK NO.	Molex Part No.	Fig.	No. of Circuits	Dimensions: mm (In.)		Carrier Tape Width	Price Each			
				A	B		1	10	100	250
538-52207-0885	52207-0885	A	8	14.30 (.562)	7.00 (.275)	24.00 (.945)	.67	.56	.48	.44
538-52207-1085	52207-1085	A	10	16.30 (.641)	9.00 (.354)	24.00 (.945)	.82	.69	.59	.54
538-52207-1285	52207-1285	A	12	18.30 (.720)	11.00 (.433)	32.00 (1.260)	.98	.81	.70	.64
538-52207-1485	52207-1485	A	14	20.30 (.799)	13.00 (.511)	32.00 (1.260)	1.07	.89	.77	.70
538-52207-1885	52207-1885	A	18	24.30 (.956)	17.00 (.669)	44.00 (1.732)	1.34	1.12	.97	.88
538-52207-2085	52207-2085	A	20	26.30 (1.035)	19.00 (.748)	44.00 (1.732)	1.46	1.22	1.06	.96



### Right Angle, SMT, ZIF - Bottom Contact Style

#### Specifications:

- Voltage: 50V
- Current: 0.5A
- Dielectric Withstanding Voltage: 500V AC/1 min.

- Housing: 4/6 Nylon, UL 94V-0
- Actuator: PPS, UL 94V-0
- Contact: Phosphor Bronze

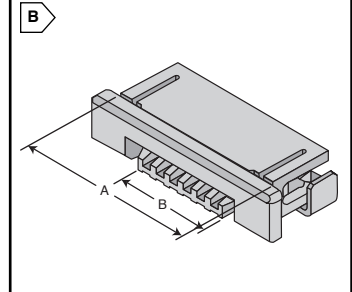
- Plating: Tin
- Solder Tabs: Copper Alloy, Tin plating
- Operating Temperature: -20 to +85°C



RoHS Compliant

For quantities of 500 or more, call for quote.

MOUSER STOCK NO.	Molex Part No.	Fig.	No. of Circuits	Dimensions: mm (In.)		Carrier Tape Width	Price Each			
				A	B		1	10	100	250
538-52271-0679	52271-0679	B	6	11.00 (.433)	5.00 (.197)	24.00 (.945)	.64	.53	.46	.42
538-52271-0879	52271-0879	B	8	13.00 (.511)	7.00 (.275)	24.00 (.945)	.73	.63	.53	.50
538-52271-1079	52271-1079	B	10	15.00 (.590)	9.00 (.354)	24.00 (.945)	.85	.71	.62	.56
538-52271-1479	52271-1479	B	14	19.00 (.748)	13.00 (.511)	32.00 (1.260)	1.01	.84	.73	.66
538-52271-1879	52271-1879	B	18	23.00 (.905)	17.00 (.669)	44.00 (1.732)	1.16	.97	.84	.76
538-52271-2079	52271-2079	B	20	25.00 (.984)	19.00 (.748)	44.00 (1.732)	1.22	1.02	.88	.80
538-52271-2279	52271-2279	B	22	27.00 (1.062)	21.00 (.827)	44.00 (1.732)	1.34	1.12	.97	.88
538-52271-2479	52271-2479	B	24	29.00 (1.141)	23.00 (.906)	44.00 (1.732)	1.40	1.17	1.01	.92
538-52271-2879	52271-2879	B	28	33.00 (1.299)	27.00 (1.060)	56.00 (2.205)	2.07	1.73	1.50	1.36
538-52271-3079	52271-3079	B	30	35.00 (1.377)	29.00 (1.140)	56.00 (2.205)	1.59	1.32	1.14	1.04



### Vertical, SMT, ZIF

#### Specifications:

- Voltage: 125V
- Current: 1.0A
- Plating: Tin
- Dielectric Withstanding Voltage: 500V AC/1 min.
- Housing: 4/6 Nylon, UL 94V-0
- Operating Temperature: -20 to +85°C

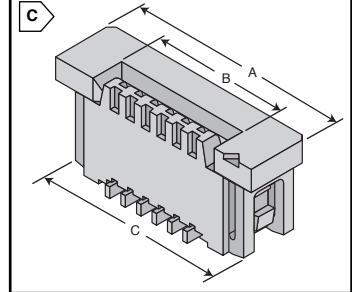
- Actuator: PPS, UL 94V-0
- Contact: Phosphor Bronze



RoHS Compliant

For quantities of 500 or more, call for quote.

MOUSER STOCK NO.	Molex Part No.	Fig.	No. of Circuits	Dimensions: mm (In.)			Carrier Tape Width	Price Each			
				A	B	C		1	10	100	250
538-52610-0671	52610-0671	C	6	12.60 (.496)	5.00 (.197)	10.85 (.427)	24.00 (.945)	1.01	.84	.73	.66
538-52610-0871	52610-0871	C	8	14.60 (.575)	7.00 (.275)	12.85 (.506)	24.00 (.945)	1.19	.99	.86	.78
538-52610-1271	52610-1271	C	12	18.60 (.732)	11.00 (.433)	16.85 (.663)	32.00 (1.260)	1.56	1.30	1.12	1.02
538-52610-1471	52610-1471	C	14	20.60 (.811)	13.00 (.511)	18.85 (.742)	32.00 (1.260)	2.38	1.98	1.72	1.56
538-52610-1671	52610-1671	C	16	22.60 (.890)	15.00 (.591)	20.85 (.821)	44.00 (1.732)	2.50	2.08	1.80	1.64
538-52610-1871	52610-1871	C	18	24.60 (.969)	17.00 (.669)	22.85 (.900)	44.00 (1.732)	2.68	2.24	1.94	1.76
538-52610-2071	52610-2071	C	20	26.60 (1.047)	19.00 (.748)	24.85 (.978)	44.00 (1.732)	2.69	2.25	1.95	1.77
538-52610-3071	52610-3071	C	30	36.60 (1.441)	29.00 (1.140)	34.85 (1.372)	56.00 (2.205)	2.71	2.26	1.96	1.78



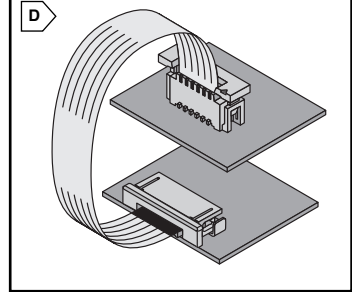
Molex Rectangular Connectors

## PREMO-FLEX™ FLAT FLEX CABLE JUMPERS FOR 1.00MM (.039") CONNECTORS

These jumpers are used to connect 2 PC boards and terminate to either ZIF or Non-ZIF FFC Connectors. Mates with any 1.00mm (.039") Pitch FFC/FPC Connector. They are available with the contacting area on the same side (Type A) or the opposite side (Type D) to mirror signal layout between PC boards.

#### Specifications:

- Voltage: 30V
- Current: 1.2A
- Cable width: (No. of circuits + 1) x 1.00mm
- Exposed conductor length: 4mm with 8mm reinforcement
- Temperature: -40 to +80°C
- Conductor width: 0.70mm (.028")
- Conductor thickness: 0.10mm (.004")



For quantities of 500 or more, call for quote.

MOUSER STOCK NO.	Molex Part No.	Fig.	No. of Circuits	Type	Length (In.)	Price Each			
						1	10	100	250
538-21039-0732	21039-0732	D	5	D	6"	1.36	1.13	.98	.89
538-21039-0205	21039-0205	D	6	A	3"	1.46	1.22	1.06	.96
538-21039-0211	21039-0211	D	6	A	6"	1.41	1.17	1.02	.92
538-21039-0215	21039-0215	D	6	A	8"	1.56	1.30	1.13	1.03
538-21039-0221	21039-0221	D	6	A	12"	1.68	1.40	1.21	1.10
538-21039-0227	21039-0227	D	8	A	3"	1.74	1.45	1.25	1.14
538-21039-0230	21039-0230	D	8	D	4"	1.52	1.26	1.09	.99
538-21039-0233	21039-0233	D	8	A	6"	1.56	1.45	1.33	1.23
538-21039-0238	21039-0238	D	8	D	8"	1.68	1.40	1.21	1.10
538-21039-0243	21039-0243	D	8	A	12"	1.86	1.68	1.51	1.36
538-21039-0247	21039-0247	D	10	A	2"	1.63	1.36	1.18	1.07
538-21039-0249	21039-0249	D	10	A	3"	1.55	1.29	1.12	1.02
538-21039-0252	21039-0252	D	10	D	4"	1.59	1.32	1.14	1.04
538-21039-0255	21039-0255	D	10	A	6"	1.56	1.30	1.12	1.02
538-21039-0257	21039-0257	D	10	A	7"	1.79	1.49	1.29	1.18
538-21039-0263	21039-0263	D	10	A	10"	1.94	1.62	1.40	1.27
538-21039-0265	21039-0265	D	10	A	12"	2.04	1.70	1.47	1.34
538-21039-0271	21039-0271	D	12	A	3"	1.62	1.35	1.17	1.06
538-21039-0277	21039-0277	D	12	A	6"	1.58	1.32	1.14	1.04
538-21039-0287	21039-0287	D	12	A	12"	2.17	1.80	1.56	1.42
538-21039-0293	21039-0293	D	14	A	3"	1.68	1.40	1.21	1.10
538-21039-0294	21039-0294	D	14	D	3"	1.74	1.45	1.25	1.14
538-21039-0297	21039-0297	D	14	A	5"	1.77	1.48	1.28	1.16
538-21039-0299	21039-0299	D	14	A	6"	3.11	2.59	2.24	2.04

For quantities of 500 or more, call for quote.

MOUSER STOCK NO.	Molex Part No.	Fig.	No. of Circuits	Type	Length (In.)	Price Each			
						1	10	100	250
538-21039-0305	21039-0305	D	14	A	9"	2.26	1.88	1.63	1.48
538-21039-0309	21039-0309	D	14	A	12"	2.35	1.96	1.69	1.54
538-21039-0842	21039-0842	D	15	D	6"	1.82	1.52	1.31	1.20
538-21039-0313	21039-0313	D	16	A	2"	1.98	1.65	1.43	1.30
538-21039-0315	21039-0315	D	16	A	3"	1.71	1.42	1.23	1.12
538-21039-0321	21039-0321	D	16	A	6"	1.86	1.55	1.34	1.22
538-21039-0335	21039-0335	D	18	A	2"	1.98	1.65	1.43	1.30
538-21039-0343	21039-0343	D	18	A	6"	1.99	1.66	1.44	1.31
538-21039-0347	21039-0347	D	18	A	8"	2.34	1.95	1.69	1.54
538-21039-0365	21039-0365	D	20	A	6"	2.75	2.29	1.98	1.80
538-21039-0366	21039-0366	D	20	D	6"	2.26	1.88	1.63	1.48
538-21039-0372	21039-0372	D	20	D	9"	2.87	2.39	2.07	1.88
538-21039-0375	21039-0375	D	20	A	12"	2.99	2.49	2.16	1.96
538-21039-0382	21039-0382	D	22	D	3"	2.01	1.68	1.45	1.32
538-21039-0406	21039-0406	D	24	D	4"	2.22	1.85	1.60	1.46
538-21039-0417	21039-0417	D	24	A	10"	3.29	2.74	2.37	2.15
538-21039-0447	21039-0447	D	28	A	3"	2.44	2.03	1.76	1.60
538-21039-0453	21039-0453	D	28	A	6"	2.41	2.01	1.74	1.58
538-21039-0469	21039-0469	D	30	A	3"	2.12	1.77	1.53	1.39
538-21039-0475	21039-0475	D	30	A	6"	2.90	2.41	2.09	1.90
538-21039-0476	21039-0476	D	30	D	6"	2.62	2.18	1.89	1.72
538-21039-0485	21039-0485	D	30	A	12"	3.60	3.00	2.60	2.36
538-21039-1062	21039-1062	D	35	D	6"	2.84	2.37	2.05	1.87
538-21039-0586	21039-0586	D	40	D	6"	3.81	3.17	2.75	2.50

