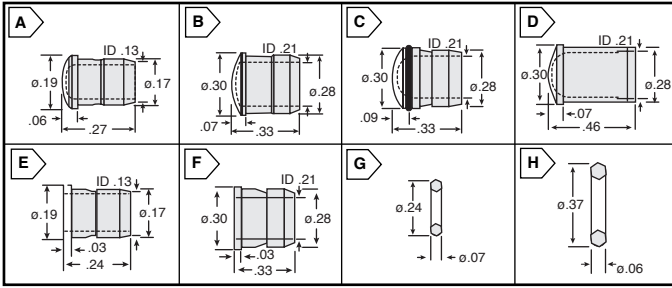


VCC LED Lenses and Mounting Components



LOW PROFILE PANEL MOUNTS AND LENS FOR PBC MOUNTED LEDs



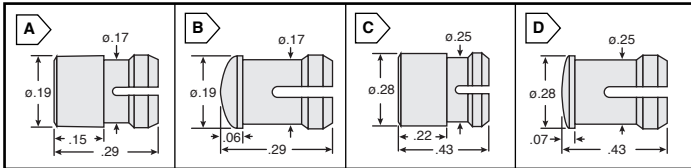
For quantities of 1000 and up, call for quote.

MOUSER STOCK NO.	VCC Part No.	Fig.	Lens Colors	Price Each			
				1	10	100	500
3mm Low Profile Fresnel Lens (Mounting hole 0.171in.)							
593-1700R	SMC170RTP	A	Red	.28	.24	.21	.17
593-1700A	SMC170ATP	A	Amber	.28	.24	.21	.17
593-1700G	SMC170GTP	A	Green	.28	.24	.21	.17
593-1700Y	SMC170YTP	A	Yellow	.28	.24	.21	.17
593-1700B	SMC170BTP	A	Blue	.28	.24	.21	.17
593-1700C	SMC170CTP	A	Clear	.28	.24	.21	.17
5mm Low Profile Fresnel Lens (Mounting hole 0.281in.)							
593-3210R	CMC321RTP	B	Red	.30	.26	.23	.19
593-3210A	CMC321ATP	B	Amber	.30	.26	.23	.19
593-3210G	CMC321GTP	B	Green	.30	.26	.23	.19
593-3210Y	CMC321YTP	B	Yellow	.30	.26	.23	.19
593-3210B	CMC321BTP	B	Blue	.30	.26	.23	.19
593-3210C	CMC321CTP	B	Clear	.30	.26	.23	.19

For quantities of 1000 and up, call for quote.

MOUSER STOCK NO.	VCC Part No.	Fig.	Lens Colors	Price Each			
				1	10	100	500
5mm Low Profile Diffused Lens (Mounting hole 0.281in.)							
593-3130RTP	CMC313RTP	C	Red	.30	.27	.23	.20
593-3130ATP	CMC313ATP	C	Amber	.30	.27	.23	.20
593-3130GTP	CMC313GTP	C	Green	.30	.27	.23	.20
593-3130YTP	CMC313YTP	C	Yellow	.30	.27	.23	.20
593-3130BTP	CMC313BTP	C	Blue	.30	.27	.23	.20
593-3130CTP	CMC313CTP	C	Clear	.30	.27	.23	.20
5mm Low Profile Diffused Lens Moisture Seal (Mounting hole 0.281in.)							
593-3220R	CMS322RTP	C	Red	.90	.79	.68	.57
593-3220A	CMS322ATP	C	Amber	.90	.79	.68	.57
593-3220G	CMS322GTP	C	Green	.90	.79	.68	.57
593-3220Y	CMS322YTP	C	Yellow	.90	.79	.68	.57
593-3220B	CMS322BTP	C	Blue	.90	.79	.68	.57
593-3220C	CMS322CTP	C	Clear	.90	.79	.68	.57
5mm Low Profile Plain End Lens (Mounting hole 0.281in.)							
593-3230C	CMC323CTP	B	Clear	.30	.27	.23	.20
593-3270C	CML327CTP	D	Clear	.30	.27	.23	.20
5mm Low Profile Fresnel Lens (Mounting hole 0.281in.)							
593-3250C	CML325CTP	D	Clear	.30	.27	.23	.20
3mm, 5mm Mounts and Spacers							
593-SMC130CTP	SMC130CTP	E	Clear	.20	.18	.15	.13
593-SMC130BLK	SMC130BLK	E	Black	.20	.18	.15	.13
593-CMC285CTP	CMC285CTP	F	Clear	.20	.18	.15	.13
593-CMC285BLK	CMC285BLK	F	Black	.17	.15	.13	.11
593-SPC040	SPC040	G	Spacer	.08	.07	.065	.06
593-SPC060	SPC060	H	Spacer	.08	.07	.065	.06

CLIPLITE and CUBELITE LENS MOUNTS FOR T1 AND T1 3/4 LEDs



Features:

- Provides viewing angles up to 180°
- High contrast and visibility
- Provides an easy snap-mount method for mounting LEDs through the front panel
- Protects the LED from physical damage from electrostatic discharge (ESD), up to 16kV
- Lens mounts utilize striated lines and fresnel rings to increase apparent brightness up to 125%

Specifications:

- Lens material: polycarbonate

For quantities of 1000 and up, call for quote.

Type	Mtg. Hole (in.)	Price Each			
		1	10	100	500
T1	.171	.28	.24	.21	.17
T1 3/4	.25	.30	.26	.23	.19

T1 (3mm) Round Lens

MOUSER STOCK NO.	Fig.	Lens Colors	VCC Part No.
Standard Height			
593-1900R	A	Red	SML190RTP
593-1900A	A	Amber	SML190ATP
593-1900G	A	Green	SML190GTP
593-1900Y	A	Yellow	SML190YTP
593-1900B	A	Blue	SML190BTP
593-1900C	A	Clear	SML190CTP
Low Profile			
593-2000R	B	Red	SMB200RTP
593-2000A	B	Amber	SMB200ATP
593-2000G	B	Green	SMB200GTP
593-2000Y	B	Yellow	SMB200YTP
593-2000B	B	Blue	SMB200BTP
593-2000C	B	Clear	SMB200CTP

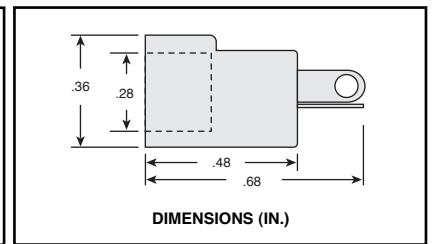
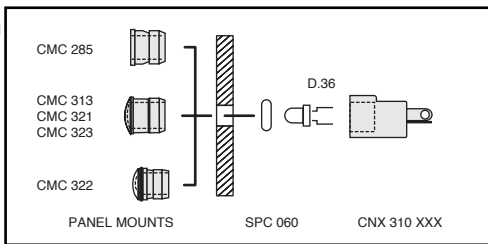
T1 3/4 (5mm) Round Lens

MOUSER STOCK NO.	Fig.	Lens Colors	VCC Part No.
Standard Height			
593-2800R	C	Red	CLF280RTP
593-2800A	C	Amber	CLF280ATP
593-2800G	C	Green	CLF280GTP
593-2800Y	C	Yellow	CLF280YTP
593-2800B	C	Blue	CLF280BTP
593-2800C	C	Clear	CLF280CTP
Low Profile			
593-3000R	D	Red	CLB300RTP
593-3000A	D	Amber	CLB300ATP
593-3000G	D	Green	CLB300GTP
593-3000Y	D	Yellow	CLB300YTP
593-3000B	D	Blue	CLB300BTP
593-3000C	D	Clear	CLB300CTP

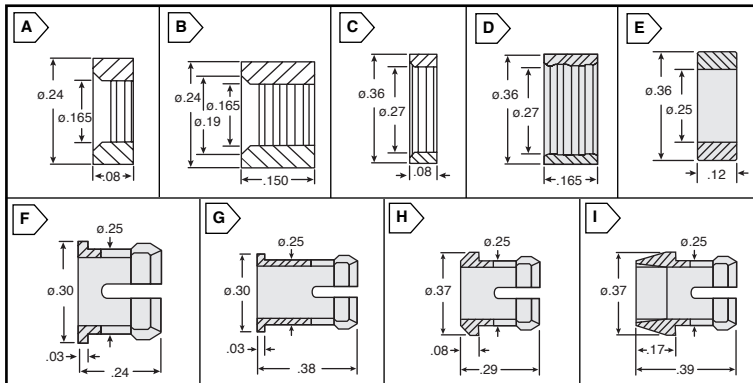
SOLDERLESS LED CONNECTORS

1/4W Current limiting resistor built into the natural polypropylene housing.
1/2W Resistor can be built upon request. Terminals are phosphor bronze, tin plated.
For quantities of 1000 and up, call for quote.

MOUSER STOCK NO.	Resistance Value (Ω)	Price Each			
		1	10	100	500
593-CN310000	No resistor	.53	.44	.36	.31
593-CN310012	120	.85	.71	.59	.50
593-CN310018	180	.85	.71	.59	.50
593-CN310033	330	.85	.71	.59	.50
593-CN310056	560	.85	.71	.59	.50
593-CN310120	1.2K	.85	.71	.59	.50
593-CN310220	2.2K	.85	.71	.59	.50



MOUNTING CLIPS FOR T1 3/4 (5MM) STANDARD LEDs



Retaining Ring

For quantities of 1000 and up, call for quote.

MOUSER STOCK NO.	Fig.	Description	Price Each		
			1	10	100
593-RNG132	A	For CLP, 170 Series	.09	.08	.07
593-RNG165	B	For CLP, 190, 200 Series	.09	.08	.07
593-RNG234	C	For CLP, 321 Series	.09	.08	.07
593-RNG268	D	For CLP, 280, 300, 321, 322 Series	.09	.08	.07

LED Spacer

593-SPC125	E	Spacer for 300 Series	.09	.08	.07
------------	---	-----------------------	-----	-----	-----

Mounting Clips

593-CLP125	F	Standard Clip	.09	.08	.07
593-CLP126	G	Extended Clip	.09	.08	.07
593-CLP127	H	Outer Reflector Clip	.09	.08	.07
593-CLP129	I	Inner Reflector Clip	.09	.08	.07