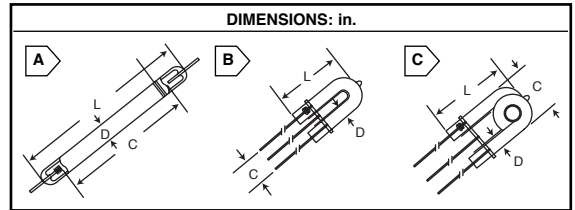


# Lamps, Flash Tubes, and Transformers

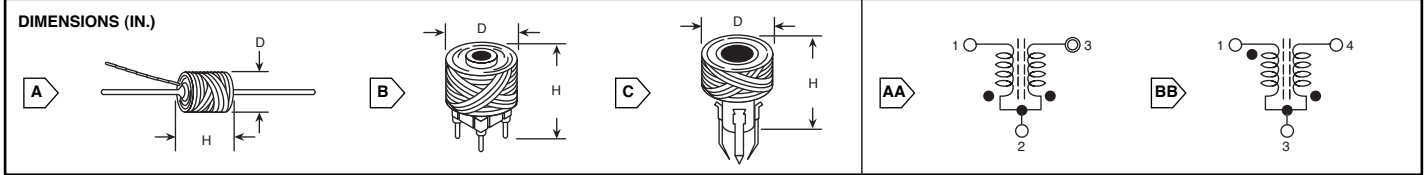
## XICON FLASH TUBES

For quantities of 500 or more, call for quote.

MOUSER STOCK NO.	Fig.	Type	Dimensions (In.)			Nominal Anode Voltage	Min. Trigger Voltage	Flash Energy (WS)	Life Flashes	Price Each		
			L	D	C					1	10	100
36FT050	A	FT-4050	1.97	.16	1.38	360	4KV	60	5,000	3.50	2.90	2.65
36FT106	B	FT6531	1.50	.24	.53	300	6KV	60	10,000	3.80	3.19	2.90
361-4425	B	U-4425	1.26	.24	.39	300	4KV	4	1,000,000	5.85	5.32	4.84
361-8538	B	U-8538	1.77	.31	.67	400	6KV	100	10,000	6.92	6.29	5.72
361-0218	C	FT-218	2.16	.31	1.30	450	6KV	30	300,000	15.17	13.79	12.54



## XICON H/V TRIGGER TRANSFORMERS



See capacitor section of this catalog for related products For quantities of 1000 or more, call for quote.

MOUSER STOCK NO.	Fig.	Schematic	Volts		Dimensions (In.)		Price Each			
			Input	Output	H	D	1	10	100	500
422-1304	A	AA	300	4000	.60	.35	2.19	1.86	1.68	1.53
422-2304	B	BB	300	4000	.63	.50	2.79	2.45	2.23	2.02

See capacitor section of this catalog for related products For quantities of 1000 or more, call for quote.

MOUSER STOCK NO.	Fig.	Schematic	Volts		Dimensions (In.)		Price Each			
			Input	Output	H	D	1	10	100	500
422-3306	A	AA	300	6000	.75	.60	2.79	2.45	2.23	2.02
422-2310	B	BB	300	10000	.75	.85	2.74	2.51	2.27	2.08

## XICON LED INDICATORS

### Chasis Mount T-1 3/4 LED Bezel

For quantities of 1000 and up, call for quote.

MOUSER STOCK NO.	Fig.	Bezel Color	Mtg. Hole (In.)	Description	Price Each			
					1	10	100	500
351-1000	A	Black	5/16	For mounting T-1 3/4 size LEDs	1.31	1.08	.92	.83
351-1001	A	Chrome	5/16	T-1 3/4 size LEDs	1.63	1.26	1.14	1.04

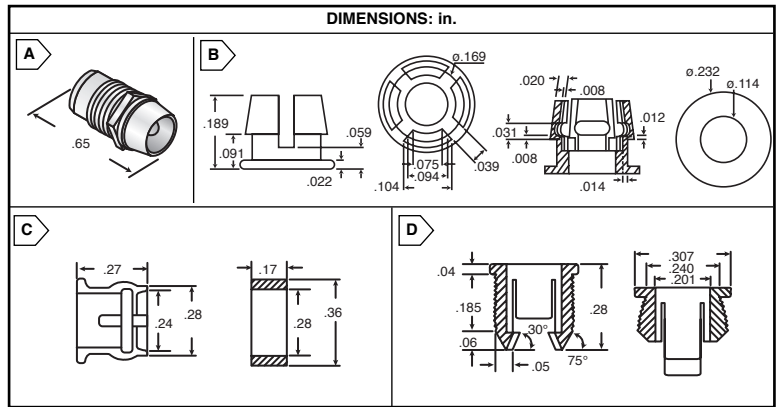
### LED Panel Mounting Clips

For quantities of 2000 and up, call for quote.

MOUSER STOCK NO.	Fig.	Color	Size	Description	Price Each			
					1	100	500	1000
351-0001-RC	B	Black	T-1	One piece	.15	.10	.09	.07
351-0002-RC	C	Black	T-1 3/4	Two piece	.15	.10	.09	.07
351-0003-RC	D	black	T-1 3/4	One piece	.13	.07	.06	.05

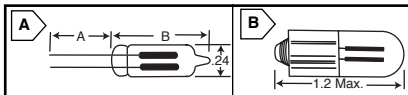


RoHS Compliant



## XICON NEON LAMPS

- Neon lamps are used for indicators and circuit control applications
- Ideal for line-voltage AC and 90V and up DC applications



DIMENSIONS: in.

### High Brightness

For quantities of 500 and up, call for quote.

MOUSER STOCK NO.	Fig.	Type	Breakdown Voltage (max.) AC/DC	Nominal Current (mA)	Nominal Watts (W)	Dimensions (In.)		Price Each		
						A	B	1	10	100
36NE004	A	A1C	95/135	1.2	1/7	1.18	.47	.28	.22	.18
36NE005	A	NE-2H	95/135	1.2	1/7	1.18	.63	.29	.25	.20

### Standard

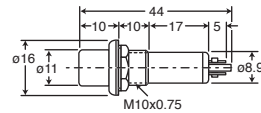
For quantities of 500 and up, call for quote.

MOUSER STOCK NO.	Fig.	Type	Breakdown Voltage (max.) AC/DC	Nominal Current (mA)	Nominal Watts (W)	Dimensions (In.)		Price Each		
						A	B	1	10	100
36NE006	A	A1B	65/90	.3	1/25	1.18	.47	.23	.18	.15
36NE007	A	NE-2E	65/90	.3	1/25	1.18	.63	.24	.20	.16
36NE002	A	NE-2	65/90	.5	1/25	1.18	.68	.23	.18	.15
36NE003	A	NE2B	65/90	.5	1/25	1.18	.47	.23	.18	.15
36NE051	B	NE-51	45/85	.3	1/25	---	---	1.96	1.64	1.49

## SHIN CHIN 110 VAC NEON INDICATOR

- Sealed plastic neon indicator with internal dropping resistor
- Chrome-plated facing nut

DIMENSIONS: mm



RoHS Compliant

MOUSER STOCK NO.		Lens Color	Mounting Hole (in.)	Price Each			
Mfr.	Mfr. Part Number			1	10	100	500
357	R9-41N-05-R-N1	Red	0.40	1.55	1.40	1.24	1.18
357	R9-41N-05-G-N1	Green	0.40	1.55	1.40	1.24	1.18
357	R9-41N-05-Y-N1	Yellow	0.40	1.55	1.40	1.24	1.18

## XICON LAMP SOCKETS

For quantities of 500 or more, call for quote.

MOUSER STOCK NO.	Fig.	Type	Price Each		
			1	10	100
35LH002	A	T-3 1/4 screw-mini, non-insulated	.66	.51	.46
35LH003	B	T-3 1/4 bayonet-mini, insulated	2.36	1.86	1.74
35LH004	C	T-3 1/4 bayonet-mini, non-insulated	2.36	1.86	1.74
35LH005	D	T-3 1/4 bayonet-mini, insulated	2.36	1.86	1.74
35LH006	E	T-3 1/4 bayonet-mini, insulated	2.49	1.96	1.83
35LH007	F	T-3 1/4 bayonet-mini, insulated	2.07	1.63	1.52
35LH008	G	T-3 1/4 bayonet-mini, insulated	2.07	1.63	1.52
35LH010	H	T-3 1/4 screw-mini, insulated	.55	.43	.40
35LH011	I	T-3 1/4 bayonet-mini, insulated	2.07	1.63	1.52
352-0100	J	T-1 3/4 midget screw, insulated	1.26	1.05	.95
352-0103	K	Clear plastic lens for part no. 352-0100	.40	.27	.25

