

# KK Pushbutton Switches



## LP01 SERIES: SHORT BODY PUSHBUTTONS

### Features:

- Contact Material: Silver
- Rating: 3A @ 125VAC/250VAC
- Solder Lug
- Bushing or Snap-In Mounting
- Suited for Lead Free Soldering
- Environmentally Friendly Components
- UL 94V-0 Housing and Base
- Tamper Proof Caps



RoHS Compliant

### Non-Illuminated

For quantities of 100 and up, call for quote.

MOUSER STOCK NO.	NKK Part No.	Fig.	Circuit ( ) = Momentary	Cap Color	Price Each		
					1	25	50
<b>Bushing Mount</b>							
633-LP0115CCKW01C	LP0115CCKW01C	A	SPDT On-(On)	Red	7.20	6.91	6.48
633-LP0115CCKW01A	LP0115CCKW01A	A	SPDT On-(On)	Black	7.20	6.91	6.48
633-LP0115CCKW01F	LP0115CCKW01F	A	SPDT On-(On)	Green	7.20	6.91	6.48
633-LP0125CCKW01C	LP0125CCKW01C	A	DPDT On-(On)	Red	8.40	8.06	7.56
633-LP0125CCKW01A	LP0125CCKW01A	A	DPDT On-(On)	Black	8.40	8.06	7.56
633-LP0125CCKW01F	LP0125CCKW01F	A	DPDT On-(On)	Green	8.40	8.06	7.56
<b>Snap-In Mount</b>							
633-LP0115CMKW01C	LP0115CMKW01C	B	SPDT On-(On)	Red	7.20	6.91	6.48
633-LP0115CMKW01A	LP0115CMKW01A	B	SPDT On-(On)	Black	7.20	6.91	6.48
633-LP0115CMKW01F	LP0115CMKW01F	B	SPDT On-(On)	Green	7.20	6.91	6.48

### Illuminated

For quantities of 100 and up, call for quote.

MOUSER STOCK NO.	NKK Part No.	Fig.	Circuit ( ) = Momentary	CAP/LED Colors	Price Each		
					1	25	50
<b>Bushing Mount</b>							
633-LP0115CCKW015CB	LP0115CCKW015CB	A	SPDT On-(On)	White/Red	8.90	8.54	8.01
633-LP0115CCKW015DB	LP0115CCKW015DB	A	SPDT On-(On)	White/Amber	8.90	8.54	8.01
633-LP0115CCKW015FB	LP0115CCKW015FB	A	SPDT On-(On)	White/Green	8.90	8.54	8.01
633-LP0125CCKW015CB	LP0125CCKW015CB	A	DPDT On-(On)	White/Red	10.10	9.70	9.09
633-LP0125CCKW015DB	LP0125CCKW015DB	A	DPDT On-(On)	White/Amber	10.10	9.70	9.09
633-LP0125CCKW015FB	LP0125CCKW015FB	A	DPDT On-(On)	White/Green	10.10	9.70	9.09
<b>Snap-In Mount</b>							
633-LP0115CMKW015CB	LP0115CMKW015CB	B	SPDT On-(On)	White/Red	8.90	8.54	8.01
633-LP0115CMKW015DB	LP0115CMKW015DB	B	SPDT On-(On)	White/Amber	8.90	8.54	8.01
633-LP0115CMKW015FB	LP0115CMKW015FB	B	SPDT On-(On)	White/Green	8.90	8.54	8.01

## GB SERIES: ULTRA-MINIATURE FULLY ILLUMINATED PLUNGERS

### Features:

- Contact Material: Gold
- Rating: 0.4VA max. @ 28VAC/VDC max.
- Washable
- Ideal for Handheld Equipment
- Smooth, Positive Detent Actuation
- Highly Visible Indication Status
- Process Sealed



RoHS Compliant

For quantities of 100 and up, call for quote.

MOUSER STOCK NO.	NKK Part No.	Fig.	Circuit ( ) = Momentary	LED Color	Price Each		
					1	25	50
<b>Straight PC</b>							
633-GB15JPC-RO	GB15JPC-RO	C	SPDT ON-(ON)	Red	5.60	5.38	5.04
633-GB15JPD-RO	GB15JPD-RO	C	SPDT ON-(ON)	Amber	5.60	5.38	5.04
633-GB15JPF-RO	GB15JPF-RO	C	SPDT ON-(ON)	Green	5.60	5.38	5.04
<b>Right Angle PC</b>							
633-GB15JHC-RO	GB15JHC-RO	D	SPDT ON-(ON)	Red	6.18	5.93	5.56
633-GB15JHF-RO	GB15JHF-RO	D	SPDT ON-(ON)	Green	6.18	5.93	5.56
<b>Vertical PC</b>							
633-GB15JVC-RO	GB15JVC-RO	E	SPDT ON-(ON)	Red	6.18	5.93	5.56
633-GB15JVD-RO	GB15JVD-RO	E	SPDT ON-(ON)	Amber	6.18	5.93	5.56
633-GB15JVF-RO	GB15JVF-RO	E	SPDT ON-(ON)	Green	6.18	5.93	5.56

## FP01 SERIES: CONTACTLESS PUSHBUTTONS

### Features:

- Photo Interrupter
- Snap-In Mount
- 3 Million Actuations
- Rugged Construction
- 6-Pin Connector
- Brilliant Illumination
- Tamper Proof Caps



RoHS Compliant

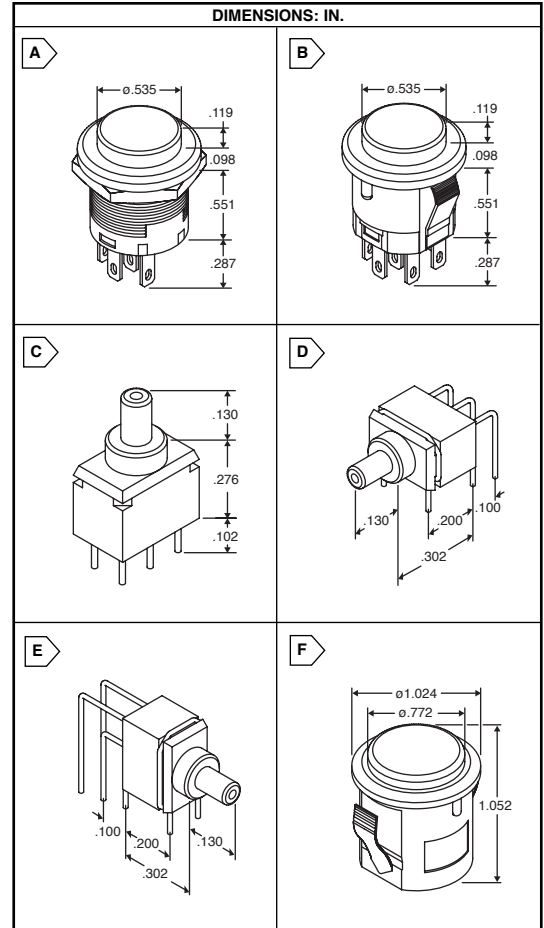
For quantities of 100 and up, call for quote.

MOUSER STOCK NO.	NKK Part No.	Fig.	Circuit ( ) = Momentary	Actuator/LED Colors	Price Each		
					1	25	50
633-FP0115CAC1BC	FP0115CAC1BC	F	Unshaded-(Shaded)	White/Red	16.14	15.17	13.45
633-FP0115CAC1BD	FP0115CAC1BD	F	Unshaded-(Shaded)	White/Amber	16.14	15.17	13.45
633-FP0115CAC1BF	FP0115CAC1BF	F	Unshaded-(Shaded)	White/Green	16.14	15.17	13.45
633-FP0115CAC1CC	FP0115CAC1CC	F	Unshaded-(Shaded)	Red/Red	16.14	15.17	13.45
633-FP0115CAC1DD	FP0115CAC1DD	F	Unshaded-(Shaded)	Amber/Amber	16.14	15.17	13.45
633-FP0115CAC1FF	FP0115CAC1FF	F	Unshaded-(Shaded)	Green/Green	16.14	15.17	13.45

### Accessories

For quantities of 100 and up, call for quote.

MOUSER STOCK NO.	NKK Part No.	Description	Price Each		
			1	25	50
633-AT021	AT021	Assembled Connector Plug w/ Wire Leads	3.99	3.85	3.71
633-AT022	AT022	Unassembled Connector Plug and Pins	.30	.29	.27



NKK Pushbutton Switches

LED Specifications for LP01 Series	Red	Amber	Green
Forward Peak Current (mA)	30	30	30
Continuous Forward Current (mA)	20	20	20
Forward Voltage (V)	1.95	2.0	2.1
Reverse Peak Voltage (V)	5	5	5
Crrt. Reduction Rate Above 25°C (mA/°C)	0.41	0.29	0.39
Ambient Temperature Range	-10°C ~ +50°C		

LED Specifications for GB Series	Red	Amber	Green
Forward Peak Current (mA)	30	30	25
Continuous Forward Current (mA)	20	20	20
Forward Voltage (V)	1.9	1.9	2.1
Reverse Peak Voltage (V)	5	5	5
Crrt. Reduction Rate Above 25°C (mA/°C)	0.43	0.43	0.36
Ambient Temperature Range	-25°C ~ +55°C		

LED Specifications for FP01 Series	Red	Amber	Green
Forward Peak Current (mA)	30	25	25
Continuous Forward Current (mA)	20	20	20
Forward Voltage (V)	1.85	2.0	2.25
Reverse Peak Voltage (V)	5	5	5
Crrt. Reduction Rate Above 25°C (mA/°C)	0.38	0.28	0.40
Ambient Temperature Range	-25°C ~ +50°C		

### FP01 Photo Interrupter Specifications:

Electrical & Optical Characteristics	Typ.	Max.	Condition
<b>Input</b>			
Forward Voltage:	1.3V	1.6V	I <sub>F</sub> = 50mA
Reverse Current:	---	10µA	F <sub>R</sub> = 5V
<b>Transmission</b>			
Collector-Emitter Saturation Voltage:	---	0.4V	I <sub>F</sub> = 20mA I <sub>C</sub> = 0.1mA

### Absolute Maximum Ratings

Input LED	Output Photo Transistor
Forward Current: 50mA	Collector-Emitter Voltage : 30V
Reverse Voltage: 5V	Emitter-Collector Voltage : 4.5V
Power Dissipation: 80mW	Collector Current : 30mA
	Collector Dissipation : 80mW