

# POTTER & BRUMFIELD Power Relays and Contactors

**tyco**

Electronics  
DIMENSIONS: mm

## tyco P&B PRD SERIES: HEAVY DUTY POWER RELAYS

Electronics

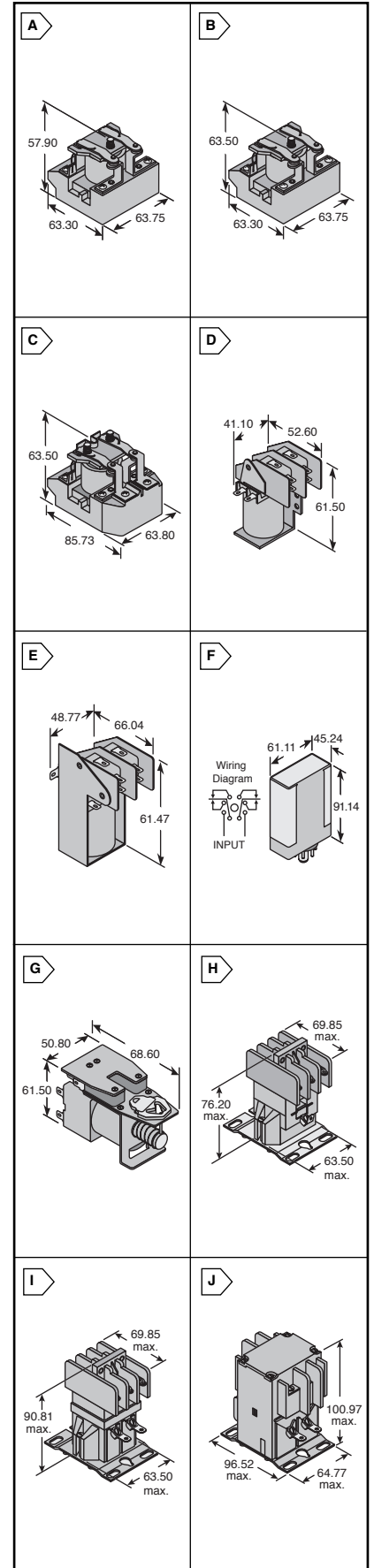
### Specifications:

- Initial breakdown voltage: 2000 Vrms between all elements and ground.
- Expected mechanical life: 100,000 operations
- With magnetic blow-out
- Screw terminal termination



For quantities of 500 and up, call for quote.

MOUSER STOCK NO.	P&B Part No.	Fig.	Coil Voltage	Main Contact Arrangement	Contact Rating	Contact Material	Price Each			
							1	25	50	100
655-PRD-3AY0-120	PRD-3AY0-120	A	120 VAC	SPST-NO-DM	25 A	Silver	19.14	18.58	16.90	14.64
655-PRD-5AY0-120	PRD-5AY0-120	A	120 VAC	SPDT	25 A	Silver	21.95	21.30	19.37	16.79
655-PRD-5DY0-12	PRD-5DY0-12	A	12 VDC	SPDT	25 A	Silver	21.26	20.64	18.77	16.27
655-PRD-7AG0-120	PRD-7AG0-120	B	120 VAC	DPST-NO	30 A	AgCdO	23.63	22.94	20.86	18.07
655-PRD-7AY0-120	PRD-7AY0-120	B	120 VAC	DPST-NO	25 A	Silver	23.75	23.05	20.96	18.16
655-PRD-7AY0-240	PRD-7AY0-240	B	240 VAC	DPST-NO	25 A	Silver	24.26	23.54	21.41	18.55
655-PRD-7DY0-12	PRD-7DY0-12	B	12 VDC	DPST-NO	25 A	Silver	23.00	22.33	20.30	17.59
655-PRD-7DY0-24	PRD-7DY0-24	B	24 VDC	DPST-NO	25 A	Silver	23.00	22.33	20.30	17.59
* 655-PRD-11AH0-120	PRD-11AH0-120	C	120 VAC	DPDT	20 A	Silver	32.87	31.90	29.00	25.13
655-PRD-11AY0-24	PRD-11AY0-24	C	24 VAC	DPDT	25 A	Silver	29.50	28.63	26.03	22.56
655-PRD-11AY0-120	PRD-11AY0-120	C	120 VAC	DPDT	25 A	Silver	28.90	28.05	25.50	22.56
655-PRD-11AG0-120	PRD-11AG0-120	C	120 VAC	DPDT	30 A	AgCdO	28.78	27.93	25.40	22.45
655-PRD-11AY0-240	PRD-11AY0-240	C	240 VAC	DPDT	25 A	Silver	29.98	29.11	26.47	22.94
655-PRD-11DH0-24	PRD-11DH0-24	C	24 VDC	DPDT	20 A	Silver	32.08	31.14	28.31	24.53
655-PRD-11DY0-24	PRD-11DY0-24	C	24 VDC	DPDT	25 A	Silver	28.24	27.41	24.92	22.02
655-PRD-11DY0-110	PRD-11DY0-110	C	110 VDC	DPDT	25 A	Silver	31.62	30.69	27.90	24.18
655-PRD-11DG0-24	PRD-11DG0-24	C	24 VDC	DPDT	30 A	AgCdO	28.75	27.90	25.37	21.98
* 655-PRD-11DH0-110	PRD-11DH0-110	C	110 VDC	DPDT	20 A	Silver	34.31	33.30	30.27	26.75



General Purpose Relays Potter & Brumfield

## tyco P&B S86/S87 SERIES: LOW COST INDUSTRIAL RELAYS

Electronics

### Specifications:

- UL Class B coil insulation system
- Coil terminal locations: S86 - Same side as switch terminals; S87 - Perpendicular to switch terminals
- Expected mechanical life: 1 million operations
- Applications include spa controls, vending machines, and HVAC



For quantities of 500 and up, call for quote.

MOUSER STOCK NO.	P&B Part No.	Fig.	Coil Voltage	Contact Form	Contact Rating	Coil Current	Price Each			
							1	25	50	100
655-S87R5A2B1D1-120	S87R5A2B1D1-120	D	120 VAC	SPDT	20 A	33 mA	19.13	15.18	14.62	14.62
655-S87R11A2B1D1120	S87R11A2B1D1-120	D	120 VAC	DPDT	20 A	33 mA	32.55	30.92	29.29	27.67
655-S86R11A1B1D1120	S86R11A1B1D1-120	E	120 VAC	DPDT	20 A	33 mA	34.31	32.59	30.88	29.16

## tyco P&B S89/S90 SERIES: BISTABLE IMPULSE RELAYS

Electronics

### Specifications:

- Operates on 75ms min. pulse
- Expected mechanical life: 100,000 operations
- UL Class B coil insulation system
- Applications include garage door controls, motor reversing, and lighting controls



\*With dust cover and octal plug-in base

For quantities of 500 and up, call for quote.

MOUSER STOCK NO.	P&B Part No.	Fig.	Coil Voltage	Contact Form	Contact Rating	Coil/Switch Terminals	Price Each			
							1	25	50	100
* 655-S89R11APP1-120	S89R11APP1-120	F	120 VAC	DPDT	15 A	-----	50.93	48.38	45.84	43.29
655-S89R11DAC1-12	S89R11DAC1-12	G	12 VDC	DPDT	15 A	.187 QC	43.62	41.45	39.27	37.08
655-S89R11DAC1-24	S89R11DAC1-24	G	24 VDC	DPDT	15 A	.187 QC	42.34	40.22	38.10	35.99
655-S89R5AAC1-120	S89R5AAC1-120	G	120 VAC	SPDT	15 A	.187" QC	28.12	26.46	23.16	21.50
655-S89R5AAC1-24	S89R5AAC1-24	G	24 VAC	SPDT	15 A	.187" QC	28.12	26.46	23.16	21.50
655-S89R5DAC1-12	S89R5DAC1-12	G	12 VDC	SPDT	15 A	.187" QC	26.63	25.07	21.94	20.37
655-S90R11ABD1-120	S90R11ABD1-120	G	120 VAC	DPDT	20 A	.250" QC	42.87	40.35	37.83	35.31
655-S90R11ABD1-24	S90R11ABD1-24	G	24 VAC	DPDT	20 A	.250" QC	48.01	45.61	43.21	40.81
655-S90R5ABD1-120	S90R5ABD1-120	G	120 VAC	SPDT	20 A	.250" QC	39.64	37.66	35.68	33.70

## tyco P&B DEFINITE PURPOSE MAGNETIC CONTACTORS

Electronics

### Specifications:

- Contact material: Silver-cadmium oxide
- Expected mechanical life: AC coil - 2 million operations; DC coil - 10 million operations
- For controlling motors, power supplies, heating elements, and lighting
- Minimum contact load: 3A @ 120 VAC
- Class A insulation class
- Coil terminals: 8-32 Screw terminals and .250" QC



\* With SPDT auxiliary switch

For quantities of 500 and up, call for quote.

MOUSER STOCK NO.	P&B Part No.	Fig.	Coil Voltage	Contact Arrangement	Contact Rating	Contact Material	Price Each			
							1	25	50	100
655-P25P42A22P1-120	P25P42A22P1-120	H	120 VAC	3PST-NO-DM	25 A	AgCdO	75.53	73.31	66.65	57.77
655-P25P42A22P1-240	P25P42A22P1-240	H	240 VAC	3PST-NO-DM	25 A	AgCdO	75.53	73.31	66.65	57.77
655-P25P42D22P1-24	P25P42D22P1-24	I	24 VDC	3PST-NO-DM	25 A	AgCdO	66.52	64.57	58.70	50.87
655-P30P42D12P1-24	P30P42D12P1-24	J	24 VDC	3PST-NO-DM	30 A	AgCdO	78.43	76.12	69.22	59.99
* 655-P40P42D12P1-24	P40P42D12P1-24	J	24 VDC	3PST-NO-DM	40 A	AgCdO	95.96	91.16	86.36	81.56



a ti company