

Linear and Position Sensors

ALPS RDC10 SERIES LINEAR SENSORS

Specifications:

- Light operating force (250GF)
- Operating life: 100,000 cycles
- Total resistance: 10KW ±30%
- Linearity: ±0.5%
- Rated voltage: 5 VDC

Applications:

- Detection of feedback from motor drive units in cameras and CD/MD changers
- Detection of paper size in photo copiers, printers, and projectors

Features:

- High precision linearity

For quantities of 500 and up, call for quote.

MOUSER STOCK NO.	Alps Part No.	Fig.	Travel	Length of Lever	Price Each			
					1	25	50	100
688-RDC1014A09	RDC1014A09	A	14mm	4.5mm	2.96	2.47	2.22	1.97
688-RDC1022A05	RDC1022A05	A	22mm	4.5mm	2.96	2.47	2.22	1.97
688-RDC10320RB	RDC10320RB	A	32mm	4.5mm	3.66	3.05	2.75	2.44

ALPS RDC50 SERIES ROTARY POSITION SENSORS

Specifications:

- Operating life: 1,000,000 cycles
- Total resistance: 10KW ± 30%
- Rated voltage: 5 VDC
- Linearity: ± 2%
- Effective variable range: 320°

Applications:

- Rotation detecting sensors in projectors, digital cameras, air conditioners
- Joint angle detection in robots

Features:

- Analog output facilitates signal processing

Model w/ optional gear: Gear provided w/ product and is delivered unmounted.

For quantities greater than listed, call for quote.

MOUSER STOCK NO.	Alps Part No.	Fig.	Hollow Shaft Variation	Optional Gear	Price Each				Reel Qty.	Reel Price Ea.
					1	25	50	100		
688-RDC503013A	RDC503013A	B	ø3.5 mm	No	2.18	1.82	1.63	1.45	1300	1.09
688-RDC503015A	RDC503015A	C	ø3.5 mm w/ radius	Yes	2.18	1.82	1.63	1.45	1300	1.09
688-RDC506002A	RDC506002A	D	ø4 mm	No	2.60	2.16	1.95	1.73	1200	1.30

ALPS RDC80 SERIES 15MM ROTARY POSITION SENSORS

Specifications:

- Operating life: 100,000 cycles
- Total resistance: 10KW ± 30%
- Rated voltage: 5 VDC
- Linearity: ± 3% (absolute)

Applications:

- Detection of rotation angles
- Control of home appliances

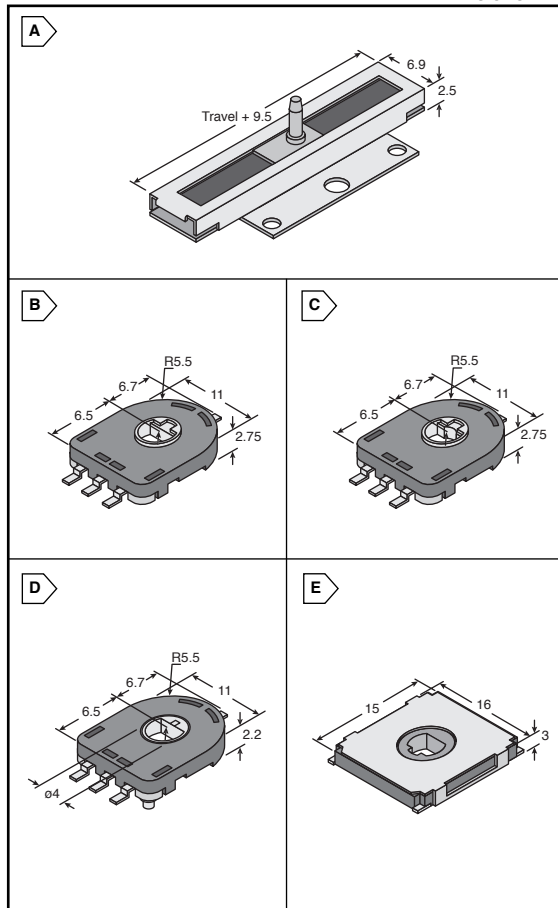
Features:

- Entire 360 degrees covered due to use of 2-phase output

For quantities greater than listed, call for quote.

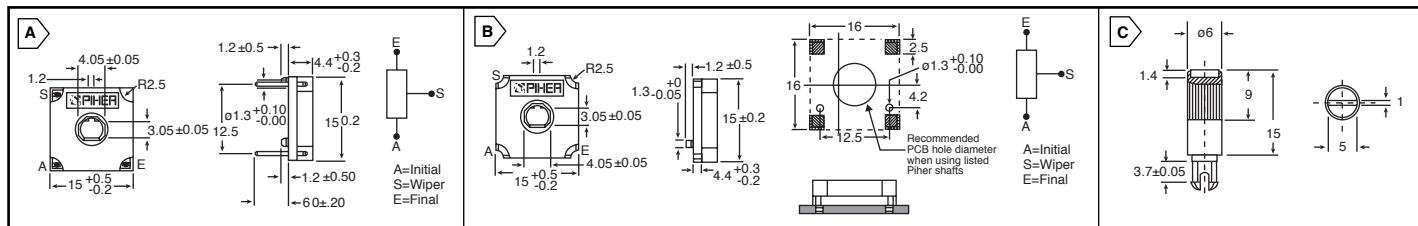
MOUSER STOCK NO.	Alps Part No.	Fig.	Effective Variable Range		Price Each				Reel Qty.	Reel Price Ea.
			Phase 1	Phase 2	1	25	50	100		
688-RDC803001A	RDC803001A	E	330°	360°	1.82	1.52	1.37	1.21	3200	.91

DIMENSIONS mm



PIHER 15MM CARBON POSITION SENSORS

Here is Pihers' "revolutionary" answer to the majority of Multi-Purpose Control and Rotary Sensor design problems which were un-resolvable until now. The N15 series offers you full endless rotation, 340° ± 10° wide electrical angle, SMD or through-hole mount, extended working temperature range of -40°C to +120°C plus a whole series of customization possibilities making it the most flexible product on the market. The N15 is ideal for Appliance and Automotive Control and Sensor applications.



DIMENSIONS (mm)

Specifications:

- Resistance Values: 5K, 10K, 100K
- Tolerance: ±30%
- Nominal Power: 0.15W @ 50°C
- Linearity (absolute): ±3%
- Taper: Linear
- Mechanical Life: 100,000 cycles
- Temperature Range: -40°C to +120°C
- Mechanical Angle: 360°
- Electrical Angle 340° ± 10°
- Rotational Torque: ≤ 20 mN.m
- Max. Voltage: 250 VDC

Features:

- Conceived and designed to be customized
- SMD or Through-hole Mount
- Endless Rotation (360°)
- Low Profile (4.4mm)
- Embossed tape or Bulk Packaging
- Reflow Soldering Capability
- Shaft insertable from both sides
- Polarized "T" rotor (European Home Appliance Standard)

MOUSER STOCK NO.	Pihers Part No.	Fig.	Price Each				
			1	25	50	100	200
Through Hole							
531-N15TV-5K	NT15TV-502A3030	A	3.75	3.12	2.81	2.50	Call for Quote
531-N15TV-10K	NT15TV-103A3030	A	2.88	2.40	2.16	1.92	
531-N15TV-100K	NT15TV-104A3030	A	2.88	2.40	2.16	1.92	
Surface Mount							
531-N15TS-5K	NT15TS-502A3030	B	2.55	2.13	1.91	1.70	Call for Quote
531-N15TS-10K	NT15TS-103A3030	B	2.55	2.13	1.91	1.70	
531-N15TS-100K	NT15TS-104A3030	B	2.55	2.13	1.91	1.70	
Shaft							
531-5219CR	5219CR	C	.19	.18	.16	.15	Call

VISHAY MODEL 601-1045 FULL 360° SMART POSITION SENSORS

The model 601-1045 represents a new generation of Smart Sensors. This unique electronic device is a self-contained package which provides an analog electrical output over a full 360° without the need for external electronics.

Environmental Specifications:

- Operating Life: 5,000,000 cycles
- Operating Temperature Range: -40°C to 70°C

MOUSER STOCK NO.	Vishay Part No.	Fig.	Description	Price Each					
				1	5	10	25	50	100+
594-601-1045	601-1045-000	E	Smart position sensor	60.34	55.61	48.00	45.00	41.00	Call for Quote
594-601-1056	601-1056-000	E	IDC connector w/12" ribbon cable	6.78	6.26	5.59	5.14	4.99	

