

# OKI ARM® Microcontrollers



Products may be RoHS compliant.  
Check mouser.com for RoHS status.

## OKI® 16/32-BIT ARM®-BASED MICROCONTROLLERS

◆ Surface Mount Device

### Features:

- Max Frequency (Single Cycle FLASH): 33.333 MHz
- System Timer: 1
- DMA: 2 Channel
- 16-bit Real Time Clock: 1
- 16-bit Watchdog Timer: 1
- 16-bit Flexible Timer (AR/IC/OC/PW/SM): 6 Channel
- 10-bit A/D: 4 channel
- Multi-Master I<sup>2</sup>C: 1
- Master/Slave SPI with FIFOs: 2
- 9-bit capable UARTs with FIFOs: 2
- 12S: 1 Channel
- 2 Channels
- Serial I/O: 1 Channel
- GPIO 40/108

For quantities 50 and up, call for quote.

MOUSER STOCK NO.	OkI Semiconductor Part No.	Package	Core Voltage (V)	I/O Voltage (V)	Flash (KB)	RAM (KB)	External Bus 8/16/32bit	32kHz Sub Clock	Ring Oscillator	9-bit UART with FIFOs	External Interrupts	FIQ Interrupts	I/O Pins	Price Each	
														1	25
◆ 848-ML67Q4050TC	ML67Q4050-1NNNTCZG3A	LQFP-144	2.5	2.5-3.3	64	16	Yes	Yes	Yes	2	4	1	108	12.83	11.66
◆ 848-ML67Q4060LA	ML67Q4060-1NNNLAZG3A	LFBGA-84	2.5	2.5-3.3	64	16	No	Yes	Yes	2	4	1	40	12.45	11.32
◆ 848-ML67Q4060TB	ML67Q4060-1NNNTBZG3A	TQFP-64	2.5	2.5-3.3	64	16	No	Yes	Yes	2	4	1	40	10.96	9.96
◆ 848-ML67Q4060HA	ML67Q4060-1NNNHZG3A	WCSP-64	2.5	2.5-3.3	64	16	No	Yes	Yes	2	4	1	40	12.45	11.32
◆ 848-ML67Q4051TC	ML67Q4051-1NNNTCZG3A	LQFP-144	2.5	2.5-3.3	128	16	Yes	Yes	Yes	2	4	1	108	14.06	12.80
◆ 848-ML67Q4061LA	ML67Q4061-1NNNLAZG3A	LFBGA-84	2.5	2.5-3.3	128	16	No	Yes	Yes	2	4	1	40	13.84	12.58
◆ 848-ML67Q4061TB	ML67Q4061-1NNNTBZG3A	TQFP-64	2.5	2.5-3.3	128	16	No	Yes	Yes	2	4	1	40	12.19	11.08
◆ 848-ML67Q4061HA	ML67Q4061-1NNNHZG3A	WCSP-64	2.5	2.5-3.3	128	16	No	Yes	Yes	2	4	1	40	13.84	12.58
◆ 848-ML696201LAZSAA	ML696201LAZSAA	LFBGA-272	2.5	2.5-3.3	0	128	No	Yes+	Yes	2	4	1	87	27.50	23.75
◆ 848-ML69Q6203NNNLA	ML69Q6203-NNNLA	LFBGA-2272	2.5	2.5-3.3	512	128	No	Yes+	Yes	2	4	1	87	34.11	31.00
◆ 848-ML675050TCZE3A	ML675050TCZE3A	LQFP-176	1.5	3.0-3.3	0	18	Yes	Yes	No	2	7	1	62	22.77	16.56
◆ 848-ML675050LAZE3A	ML675050LAZE3A	LFBGA-176	1.5	3.0-3.3	0	18	Yes	Yes	No	2	7	1	62	22.77	16.56

## OKI® VOICE OVER IP CODECS AND ECHO/NOISE CANCELLERS

### Features:

- FSK modem for caller ID, tone/DTMF/dial pulse generator/detector (VoIP)
- Support G.711 A-Law/u-Law, G.729A (VoIP), G.711 u-Law, 16-bit Linear PCM codecs (ML7037)
- Integrated Acoustic and Line Echo/Noise Canceller for Hands Free Communication Applications (ML7037)

For quantities 200 and up, call for quote.

MOUSER STOCK NO.	OkI Semiconductor Part No.	Description	Pins/Package	Typical Current	Power Supply	Price Each		
						1	50	100
848-ML7037-002TBZ03A	ML7037-002TBZ03A	Portable Voice Hands Free Communication 64-Pin TQFP RoHS, G.711, G.729A, AEC up to 32ms, DTMF, CNG	64-Pin TQFP	50mA	3.0-3.6v	10.50	9.40	8.25
848-ML7204A-001GA	ML7204A-001GAZK3A	Voice over IP Single Channel CODEC 64-pin QFP RoHS, G.711, AEC up to 32ms, DTMF, CNG	64-Pin QFP	50mA	3.0-3.6v	9.89	8.75	7.79
848-ML7214A-001	ML7214A-001TBZ03A	Voice over IP Single Channel CODEC 100-pin TQFP RoHS, G.711, AEC up to 32ms, DTMF, CNG	100-Pin TQFP	50mA	3.0-3.6v	9.89	8.75	7.79
<b>Evaluation Boards</b>						<b>Price Each</b>		
848-ICA-SK(ML7037)	ICA(ML7037-002EVAK)	ML7037 Evaluation Kit, consists of IC board and PC control interface board.	---	---	---	1690.50		
848-ICA-SK(ML7204)	ICA(ML7204-01) EVA BD	OkI ML7204A Evaluation Board.	---	---	---	1425.00		

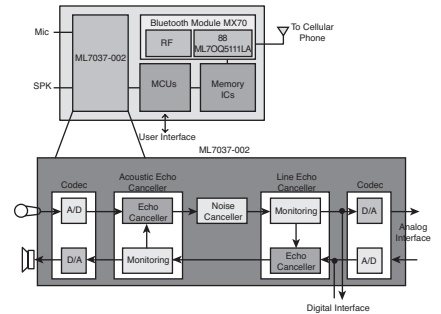
## OKI® SPEECH SYNTHESIS LSI

### Features:

- Internal Flash Memory (4/8 Mbit) for fast content modifications and extended playback time
- Evaluation Tools provide a flexible evaluation and prototyping platform
- Support high quality speech codecs: 8/16-bit PCM, 8-bit non-linear PCM, 2/4-bit OkI ADPCM2

For quantities 200 and up, call for quote.

MOUSER STOCK NO.	OkI Semiconductor Part No.	Description	Pins/Package	Typical Current	Power Supply	Price Each		
						1	50	100
848-ML22Q58GA	ML22Q58GA	Speech Synthesis LSI with 8 Mb Flash	44-pin QFP	10mA 23mA	2.7-3.6V 4.5-5.5V	21.65	20.62	18.56
848-ML22Q54GA	ML22Q54GA	Speech Synthesis LSI with 4 Mb Flash	44-pin QFP	10mA 23mA	2.7-3.3V 4.5-5.5V	17.50	16.67	14.95



## OKI® POWER SWITCH DEVICES

For quantities 200 and up, call for quote.

MOUSER STOCK NO.	OkI Semiconductor Part No.	Enable Logic	Continuous Current (A)	Package	T/R Quantity	Price Each		
						1	10	100
848-RYC8520H	RYC8520H	Active High	0.6	SOT-TR-6	2,500 pcs	.97	.84	.77
848-RYC8520L	RYC8520L	Active Low	0.6	SOT-TR-6	2,500 pcs	.97	.84	.77
848-RYC8620-1M	RYC8620-1M	Active High	0.6	8-Lead SOIC	2,500 pcs	.97	.84	.77
848-RYC8620-2M	RYC8620-2M	Active Low	0.7	8-Lead SOIC	2,500 pcs	.97	.84	.77
848-RYC8621-1M	RYC8621-1M	Active High	0.7	8-Lead SOIC	2,500 pcs	1.02	.94	.87
848-RYC8621-2M	RYC8621-2M	Active Low	0.7	8-Lead SOIC	2,500 pcs	1.02	.94	.87
848-PSR-25724	PSR-2574	Active Low	0.6	SOT-23	2,500 pcs	1.02	.94	.87

## OKI® EVALUATION BOARDS

OkI's Microcontroller Evaluation tools contains all that is needed to evaluate OKI's top of the line product series. Based on a concept of modularity, OkI has developed processor boards which provides everything necessary for today's development. Fully operational designs gives easy access to all I/O and peripherals of these devices.

MOUSER STOCK NO.	OkI Semiconductor Part No.	Description	Price Each
848-ICD-SK	ICD-SK(69Q66203CPUBRD3HDD)	ARM9 Evaluation Board with ML69Q6203 MCU.	915.00
848-ICD-SK(AME67Q)	ICD-SK(AME67Q4051-1)	Advantage Microcontroller Evaluation kit including the modular.AME-51 board, sample source code, 32K limited C-Compiler, USB-JTAG debugger, and power source.	260.00
848-675050CPUBOARD-1	675050CPUBOARD-1	ARM7 ML675050 Devel Board	682.00
848-ICB-SK(ES2216)	ICB-SK(ES2216)	OTP version of ML2216 for prototyping	10.19

