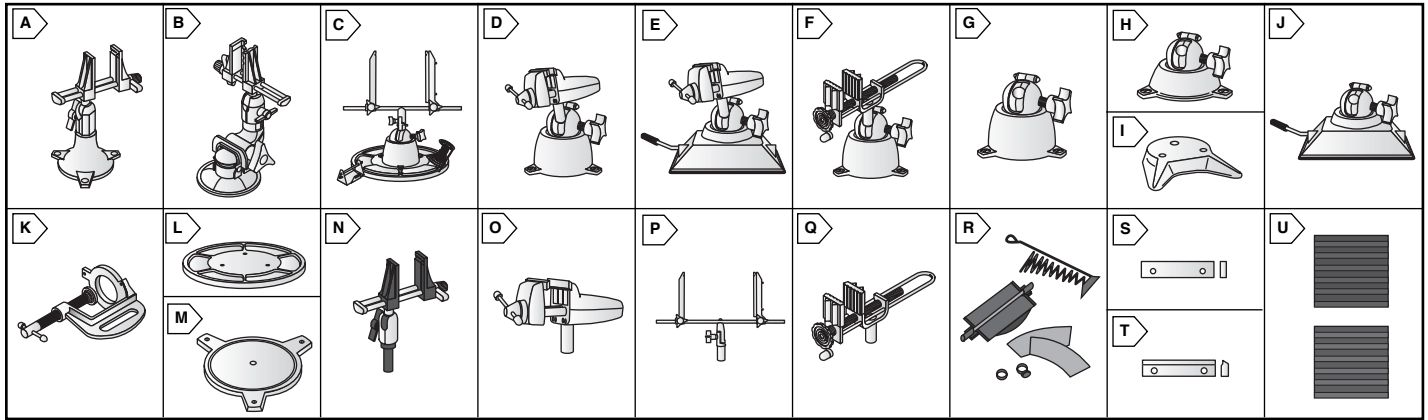


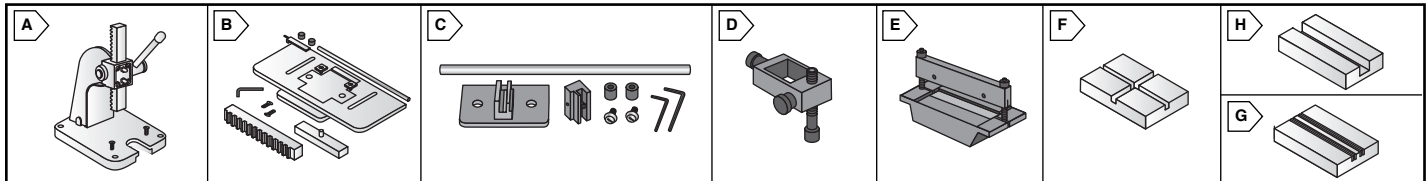
# PANA VISES, PRESSES, and Accessories



## VICES, BASES AND HEADS

For quantities greater than listed, call for quote.

MOUSER STOCK NO.		Fig.	Description	Price Each
Mfr.	Mfr. Part No.			
591—201		A	PV JR. Mini Panavise 201 More like a tool than a vise, the grooved jaws open to 2 7/8" and are made of fiber reinforced thermal composite alloy. Jaws are controlled with a fine/coarse adjusting knob which permits very delicate work.	23.99
591—209		B	Vacuum Base Precision Vise The most portable precision vise you'll ever own. Perfect for light duty field repairs, electronics, hobby and other projects. Will hold items weighing up to 3 lbs.	32.99
591—324		C	Electronic Work Center 396 A complete electronic work center. The work station gives you a circuit board holder, standard base, tray base mount, and solder station, all in one package. Keeps work areas more efficient and manageable.	81.99
591—301		D	Standard Panavise All purpose work holding unit. It tilts, turns, and rotates. This combination consists of the 300 Standard Base and the 303 Standard Head which has 2 1/2" wide nylon jaws that open 2 1/4" for firm but damage free grip. Control knob locks the work firmly in any position.	44.99
591—381		E	Vacuum Base Panavise 381 is a combination of the 380 Vacuum Base and the 303 Standard Head. A half turn of the mount lever attaches or releases the powerful suction pad and allows rapid set-ups in a variety of locations (for use on smooth, non-porous surfaces only). This combination stands 6 1/8" (155.6mm) tall and weighs 2lbs. 13oz. (1.3kgs).	57.99
591—396		F	Wide Opening Head 396 The combination of the 366 Wide Opening Head and the 300 Standard Base makes this holding device very versatile for production lines, technicians, and designers. It opens to a full 6" to accommodate most PC boards. The deep ribbed, neoframe jaw pads reverse to hold delicate cylindrical objects such as timers, coils, motor armatures, etc.	53.99
<b>Bases</b>				
591—300		G	Standard Base 300 Holds all regular 300 series heads and PCB holders. Split-ball feature permits work in various positions. 3 base mounting holes.	20.99
591—305		H	Low Profile Base has same features as model 300 except it is only 2 1/2" high, for working close to bench surface. Can also be permanently mounted.	20.99
591—308		J	Weighted Base Mount holds model 300 or 305 base with 3 screws and nuts, which are included. Weighs 5 lbs., cast iron.	29.99
591—380		I	Vacuum Base 380 Excellent for portable applications. Simply flip the lever to activate the rubber base and attach the unit to any non-porous surface.	33.99
591—311		K	Bench Clamp designed for bases 300 and 305 with screws supplied. Height 6 3/4", throat depth 2 3/8", gripping range 0"-3 1/2"	39.99
591—312		L	Tray Base Mount 312 Designed for the low profile and standard base. This is a very stable work platform, yet is easily portable. Six individual trays are cast into base for holding of small parts. Tray mount is exceptionally stable and resists tipping. It has 6 non-marring, anti-skid base pads. Standard base attaches with 3 screws, which are included.	19.99
591—335		M	Magnetic Mount 335 Attaches to any metal surface. Includes 3 mounting screws to attach to models 300 and 305.	18.99
<b>Heads</b>				
591—203		N	PV Jr. Head 203 Perfect for at-home hobbyists and electronics enthusiasts. Grooved jaws open to 2 7/8". Jaws are 1" wide and 2" tall. The stem is 1" long and 5/8" in diameter. Overall height is 3 3/4".	20.77
591—303		O	Standard Vise Head has 2 1/2" wide nylon jaws that open 2 1/4" and allow firm but damage-free grip. Fits 300 and 305 bases.	24.99
591—315		P	Circuit Board Holder holds PC boards of any shape, up to 12" wide in any position. Tension arm permits easy board insertion. Both arms extend 6" from the bar, with V-groove grip designed to hold PCB's up to 5/32" thick. Fits all 300 series bases.	32.99
591—366		Q	Wide Opening Vertical Vise Head 366 fits all 300 series bases. Neoprene reversible, replaceable pads, rotates 360°. Tilt action 180°, grip range 0"-6", jaw pad width 1 3/4", throat depth 2".	33.99
<b>Accessories</b>				
591—371		R	Solder Station 371 is a combination soldering iron holder and controlled-feed holder for standard spools of solder and wire. 2 nib sponges with self-purging slits are included. The station attaches to the 312 Tray Base Mount or to the 308 Weighted Base Mount. It may also be used as freestanding unit and is easily attached to a bench or wall.	11.99
591—343		S	Nylon Jaws (pair) 343 Nylon jaws offer excellent electrical insulation and gentle holding power. Made of type 66 nylon. Will withstand intermittent heat to 300°F, or a continuous 200°F. Included standard on the 303 Standard Head	2.79
591—344		T	Grooved Nylon Jaws (pair) 344 Nylon jaws are similar to the 343 Nylon Jaws except that they have a small horizontal groove running the width of the jaws. Perfect for holding small tubes, rods, and small circuit boards firmly in place.	3.79
591—346		U	Neoprene Jaw Pads (pair) 346 The reversible 346 Neoprene Jaw Pads are used with the 366 Wide Opening Head and the 376 Self-Centering Head. These thick, molded pads have a corrugated surface on one side to firmly hold the most delicate items.	2.99
591—352		S	Teflon Jaws (pair) 352 for 301, 303, 304 & 381 with screws.	11.99
591—353		S	Plated Steel Jaws (pair) 353 for 301, 303, 304 & 381 with screws.	6.49
591—354		S	Brass Jaws (pair) 354 for 301, 303, 304 & 381 with screws.	8.49



## PANAPRESS

For quantities greater than listed, call for quote.

MOUSER STOCK NO.		Fig.	Description	Price Each
Mfr.	Mfr. Part No.			
591—502		A	Precision PanaPress 502 is ideal for pressing bearings, sleeves, collars, forming and assembling small parts, punching, riveting, broaching, staking, etc. Exerts pressures up to 1/4 ton and features a reversible ram.	119.99
591—506		B	IDC Bench Assembly Retrofit Kit 506 converts the 502 Precision PanaPress into an IDC Bench Assembly Press. When used with interchangeable base plates it accommodates a broad range of IDC connectors, capable of mass terminating up to 64 conductor cable without wire stripping or soldering.	59.99
591—561		C	Crimp Press Retrofit Kit 561 converts the 502 Precision PanaPress into a convenient crimp press.	34.99
591—570		D	PanaPress Post-Stop 570 Adjustable positive stop for all PanaVise Presses. Precisely controls ram depth.	7.99
591—507		E	Flat Ribbon Cable Cutter 507 Slips into the PanaPress with the 506 Retrofit Kit.	67.99
591—510		F	Female Socket Transition Connectors. Fits: Ansley, Amphenol/Spectra Strip, 3M/AP Products, Alpha, Augat, Souriau	29.99
591—510A		G	For female socket transition connectors. Fits: Belden	29.99
591—511		F	For card edge connectors. Fits: Ansley, 3M/AP Products, Alpha	29.99
591—512		H	For standard DIP plugs. Fits: all makes either .100" x .300" or .100" x .600" (industry standard sizes)	29.99
591—512A		H	For miniature DIP Plugs. Fits: all makes .100" x .100" (industry standard)	29.99