

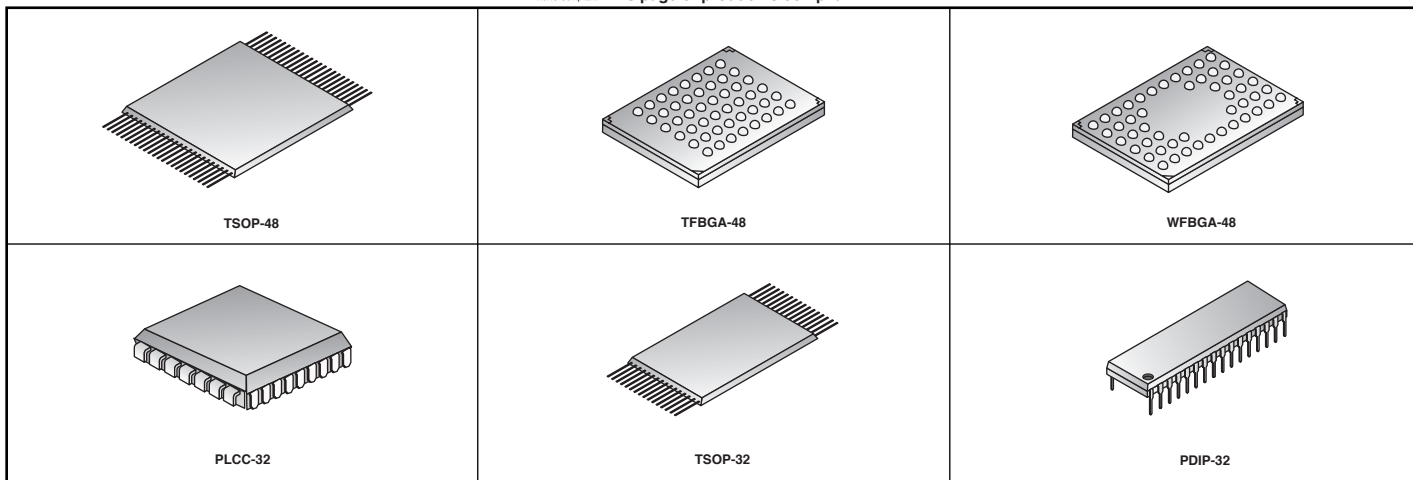
SST Parallel Flash Memory

RoHS Compliant This page of product is compliant.



Memory

SST



39 SERIES MPF (MULTI-PURPOSE FLASH) PARALLEL FLASH

The 39 Series MPF (Multi-Purpose Flash) are manufactured with SST's proprietary, high performance CMOS SuperFlash® technology. The split-gate cell design and thick oxide tunneling injector attain better reliability and manufacturability compared with alternate approaches. To protect against inadvertent write, they have on-chip hardware and Software Data Protection schemes. Designed, manufactured, and tested for a wide spectrum of applications, these devices are offered with a guaranteed typical endurance of 10,000 cycles. Data retention is rated at greater than 100 years. They are suited for applications that require convenient and economical updating of program, configuration, or data memory. For all system applications, they significantly improve performance and reliability, while lowering power consumption. They inherently use less energy during erase and program than alternative flash technologies. The total energy consumed is a function of the applied voltage, current, and time of application. Since for any given voltage range, the SuperFlash technology uses less current to program and has a shorter erase time, the total energy consumed during any Erase or Program operation is less than alternative flash technologies.

Features:

- 50% smaller than competition's 6mm x 8mm BGA packages
- Industry's smallest 1.8V packages for 8M-bit products
- Thinnest standard flash package in the industry
- Best total-cost solution for price sensitive, fast to market applications
- JEDEC approved packages
- For applications requiring high performance features such as set-top boxes, PDAs, digital cameras and networking equipment



RoHS Compliant

◆ Surface Mount Device

For quantities 500 and up, call for quote.

MOUSER STOCK NO.	SST Part No.	Package	Density	Organization	Access Time (ns)	Chip Rewrite Time (Sec) (Typ.)	Supply Voltage (V)	Operating Temperature (°C)	Price Each		
									1	50	100
◆ 804-39LF400A55CEKE	SST39LF400A-55-4C-EKE	TSOP-48	4M	256K x 16	55	4.0	3.0 to 3.6	0 to 70	2.88	2.53	2.30
◆ 804-39VF400A7CEKE	SST39VF400A-70-4C-EKE	TSOP-48	4M	256K x 16	70	4.0	2.7 to 3.6	0 to 70	2.50	2.20	2.00
◆ 804-39VF400A7CB3KE	SST39VF400A-70-4C-B3KE	TFBGA-48	4M	256K x 16	70	4.0	2.7 to 3.6	0 to 70	2.75	2.42	2.20
◆ 804-39VF400A7IEKE	SST39VF400A-70-4I-EKE	TSOP-48	4M	256K x 16	70	4.0	2.7 to 3.6	-40 to +85	3.00	2.64	2.40
◆ 804-39WF400A9CM1QE	SST39WF400A-90-4C-M1QE	WFBGA-48	4M	256K x 16	90	- - - -	1.65 to 1.95	0 to 70	3.93	3.45	3.14
◆ 804-39SF0405CNHE	SST39SF040-45-4C-NHE	PLCC-32	4M	512K x 8	45	8.0	4.5 to 5.5	0 to 70	2.73	2.40	2.18
◆ 804-39SF0405CWHE	SST39SF040-45-4C-WHE	TSOP-32	4M	512K x 8	45	8.0	4.5 to 5.5	0 to 70	2.80	2.46	2.24
◆ 804-39SF0405INHE	SST39SF040-45-4I-NHE	PLCC-32	4M	512K x 8	45	8.0	4.5 to 5.5	-40 to +85	3.27	2.88	2.62
◆ 804-39LF0405CNHE	SST39LF040-45-4C-NHE	PLCC-32	4M	512K x 8	45	8.0	3.0 to 3.6	0 to 70	2.60	2.29	2.08
◆ 804-39LF0405CWHE	SST39LF040-45-4C-WHE	TSOP-32	4M	512K x 8	45	8.0	3.0 to 3.6	0 to 70	2.68	2.35	2.14
◆ 804-39SF0407CNHE	SST39SF040-70-4C-NHE	PLCC-32	4M	512K x 8	70	8.0	4.5 to 5.5	0 to 70	2.38	2.09	1.90
◆ 804-39SF0407CWHE	SST39SF040-70-4C-WHE	TSOP-32	4M	512K x 8	70	8.0	4.5 to 5.5	0 to 70	2.45	2.16	1.96
◆ 804-39SF0407IWHE	SST39SF040-70-4I-WHE	TSOP-32	4M	512K x 8	70	8.0	4.5 to 5.5	-40 to +85	2.94	2.59	2.35
◆ 804-39VF0407CNHE	SST39VF040-70-4C-NHE	PLCC-32	4M	512K x 8	70	8.0	2.7 to 3.6	0 to 70	2.25	1.98	1.80
◆ 804-39VF0407CWHE	SST39VF040-70-4C-WHE	TSOP-32	4M	512K x 8	70	8.0	2.7 to 3.6	0 to 70	2.33	2.05	1.86
◆ 804-39VF0407INHE	SST39VF040-70-4I-NHE	PLCC-32	4M	512K x 8	70	8.0	2.7 to 3.6	-40 to +85	2.70	2.38	2.16
◆ 804-39VF0407IWHE	SST39VF040-70-4I-WHE	TSOP-32	4M	512K x 8	70	8.0	2.7 to 3.6	-40 to +85	2.79	2.46	2.23
◆ 804-39VF400A7IB3KE	SST39VF400A-70-4I-B3KE	TFBGA-48	4M	512K x 8	70	4.0	2.7 to 3.6	-40 to +85	3.30	2.90	2.64
◆ 804-39LF800A55CEKE	SST39LF800A-55-4C-EKE	TSOP-48	8M	512K x 16	55	8.0	3.0 to 3.6	0 to 70	3.45	3.04	2.76
◆ 804-39LF800A55CB3KE	SST39LF800A-55-4C-B3KE	TFBGA-48	8M	512K x 16	55	8.0	3.0 to 3.6	0 to 70	3.70	3.26	2.96
◆ 804-39VF800A7CEKE	SST39VF800A-70-4C-EKE	TSOP-48	8M	512K x 16	70	8.0	2.7 to 3.6	0 to 70	3.00	2.64	2.40
◆ 804-39VF800A7CB3KE	SST39VF800A-70-4C-B3KE	TFBGA-48	8M	512K x 16	70	8.0	2.7 to 3.6	0 to 70	3.25	2.86	2.60
◆ 804-39VF800A7IB3KE	SST39VF800A-70-4C-B3KE	TFBGA-48	8M	512K x 16	70	8.0	2.7 to 3.6	0 to 70	3.90	3.43	3.12
◆ 804-39VF800A7IEKE	SST39VF800A-70-4I-EKE	TSOP-48	8M	512K x 16	70	8.0	2.7 to 3.6	-40 to +85	3.99	3.51	3.19
◆ 804-39VF800A7IB3KE	SST39VF800A-70-4I-B3KE	TFBGA-48	8M	512K x 16	70	8.0	2.7 to 3.6	-40 to +85	3.90	3.43	3.12
◆ 804-39WF800A904CM2QE	SST39WF800A-90-4C-M2QE	WFBGA-48	8M	512K x 16	90	- - - -	1.65 to 1.95	0 to 70	4.65	4.09	3.72
◆ 804-39VF16017CEKE	SST39VF1601-70-4C-EKE	TSOP-48	16M	1M x 16	70	- - - -	2.7 to 3.6	0 to 70	3.50	3.08	2.80
◆ 804-39VF16817CEKE	SST39VF1681-70-4C-EKE	TSOP-48	16M	2M x 8	70	- - - -	2.7 to 3.6	0 to 70	3.68	3.23	2.94

36 SERIES CSF (CONCURRENT SUPER FLASH) PARALLEL FLASH

The 36 Series CSF (Concurrent Super Flash) is a dual-bank flash memory device designed for wireless communication and consumer applications. The dual-bank architecture supports the Concurrent Read-Write operation where the user may read from one bank while programming or erasing in the other bank.

Features:

- Dual-bank architecture for Concurrent Read-While-Write operations
- Operating voltage: 2.7-3.6V for Read and Write operations
- Hardware top or bottom sector protection
- Flexible Erase capability
- Factory and User programmable security ID
- Erase-Suspend/Erase Resume
- User selectable x8/x16 Data Bus through a BYTE# pin
- Hardware Write protection through WP# pin



RoHS Compliant

◆ Surface Mount Device

For quantities 500 and up, call for quote.

MOUSER STOCK NO.	SST Part No.	Package	Density	Organization	Access Time (ns)	Program Time (Us) (Typ.)	Supply Voltage (V)	Operating Temperature (°C)	Price Each		
									1	50	100
◆ 804-36VF1601E7CEKE	SST36VF1601E-70-4C-EKE	TSOP-48	16M	1Mx16 or 2Mx8	70	7.0	2.7 to 3.6	0 to 70	4.33	3.81	3.46
◆ 804-36VF3204EEKE	SST36VF3204-70-4E-EKE	TSOP-48	32M	2Mx16 or 4Mx8	70	7.0	2.7 to 3.6	-20 to +85	6.98	6.14	5.58

