

NETBURNER Embedded 32-bit Core Modules



32-BIT 10/100 ETHERNET CORE PROCESSOR MODULES

The NetBurner core processor modules are devices containing everything needed for design engineers to add network control and to monitor a company's communications assets. For a very low price point, the modules solve the problem of network-enabling devices with 10/100 Ethernet, including those requiring digital, analog, and serial control.

Traditionally, companies using 8 and 16-bit platforms find it nearly impossible to run resource-intensive applications on fast Ethernet connections. The NetBurner modules feature a Web-based control interface, a full 32-bit architecture providing 60+ MIPS, and the full suite of TCP/IP protocols. The 32-bit high performance processing platform provides the horsepower to handle both, 10/100 Ethernet connections and resource demanding applications with ease and flexibility.

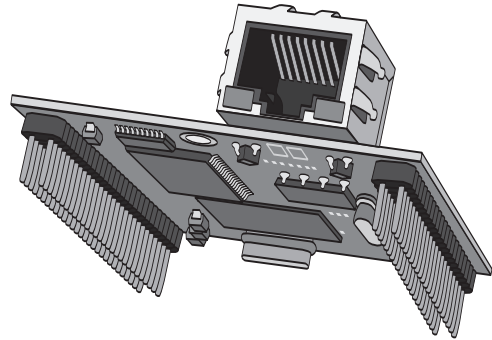
Custom Applications: Quickly and easily customize your specific application requirements using the NetBurner Network Development Kits.

Development Kit Contents:

- 32-bit Core Processor Module
- Development Board
- CD-ROM
- Network Cables
- Serial Cable
- 12 Volt Power Supply for US/Canada



RoHS Compliant



Feature:	MOD5270 Module	MOD5272 Module	MOD5282 Module
Processor:	32-bit Freescale ColdFire 5270 Module	32-bit Freescale ColdFire 5272 w/ integrated 10/100 Ethernet MAC	32-bit Freescale ColdFire 5282 w/ integrated 10/100 Ethernet MAC
Speed:	96MPS @ 100MHz	63MPS @ 66MHz	76MPS @ 80MHz
Network Interface:	10/100BaseT with RJ-45 Jack	10/100BaseT with RJ-45 Jack	10/100BaseT with RJ-45 Jack
Flash Memory:	512KB	2MB	512KB
SDRAM:	2MB	8MB	8MB
Power Requirements:	500mA @ 3.3V	500mA @ 3.3V	500mA @ 3.3V
PCB Connection:	2 sets of .100" 50-pin dual row headers	2 sets of .100" 50-pin dual row headers	2 sets of .100" 50-pin dual row headers
LEDs:	10/100 Ethernet Speed and Link/Activity	10/100 Ethernet Speed and Link/Activity	10/100 Ethernet Speed and Link/Activity
Peripherals:	Address bus 16-bit external data bus 22 General Purpose I/O Chip selects Interrupts 4 32-bit timers 3 UARTs QSPI and I2C -	Address bus 16-bit external data bus 22 General Purpose I/O Chip selects Interrupts 4 timers 3 PWM Outputs 2 UARTs QSPI USB -	Address bus 16-bit external data bus 50 General Purpose I/O Chip selects Interrupts 16 timers 3 PWM Outputs 3 UARTs QSPI and I2C CAN 12C 8 10-bit A/D Inputs
Dimensions:	2" X 2.6"	2" X 2.6"	2" X 2.6"

MOD5270 Module

MOUSER STOCK NO.	Netburner Part No.	Price Each		
		1	100	1000
820-MOD5270-100CR	MOD5270CR	79.00	69.00	59.00

MOD5270 Development Kit

MOUSER STOCK NO.	Netburner Part No.	Price Each
820-NNDK-MOD5270-KIT	NNDK-MOD5270-KIT	299.00

MOD5272 Module

MOUSER STOCK NO.	Netburner Part No.	Price Each		
		1	100	1000
820-MOD5272-100CR	MOD5272-100CR	139.00	99.00	72.00

MOD5272 Development Kit

MOUSER STOCK NO.	Netburner Part No.	Price Each
820-NNDK-MOD5272-KIT	NNDK-MOD5272-KIT	299.00

MOD5282 Module

MOUSER STOCK NO.	Netburner Part No.	Price Each		
		1	100	1000
820-MOD5282-100CR	MOD5282-100CR	145.00	105.00	78.00

MOD5282 Development Kit

MOUSER STOCK NO.	Netburner Part No.	Price Each
820-NNDK-MOD5282-KIT	NNDK-MOD5282-KIT	299.00

32 BIT MOD5213 HIGH PERFORMANCE EMBEDDED PROCESSOR MODULE

The Mod5213 has a rich set of peripherals making it ideal for both communications and control applications. This small form factor module is targeted at the high performance extended temperature low power market. Available in a 40 pin DIP, the Mod5213 boasts 66MHz of performance on a 32 bit ColdFire platform. The Mod5213 development kit also includes all the tools necessary to complete your embedded design, including a world class IDE, Graphical Debugger, and Real Time Operating System.

Process Specifications:

- 32-bit Freescale ColdFire 5213 running at 66MHz

Hardware Specification:

- 32 KB SRAM
- 256 KB Flash
- MAC Module and HW Divide
- Low-power optimization
- Four 32-bit timer channels with DMA capability
- Four 16-bit timer channels with capture/compare/PWM
- 4-channel 16-bit/8-channel 8-bit PWM generator
- Two periodic interrupt timers (PITs)
- 4-channel DMA controller
- 8-channel 12-bit ADC
- Up to 33 general-purpose I/O
- System integration (PLL, SW watchdog)
- CAN 2.0B controller with 16 message buffers
- Three UARTs with DMA capability

Software Development:

- NetBurner Development Kit includes: Mod5213 Development Board, Real-Time OS, C/C++ Compiler, Integrated Development Environment (IDE), Graphical Debugger, configuration and deployment tools.

Connectors:

- Two standard single row 20-pin 0.1" headers
- PIN Dimensions: 1.9" x 0.6"

Physical Characteristics:

- Industry Standard 40-pin DIP
- Dimensions: 2.0" x 2.6"

Power Requirements:

- DC Input Voltage: 4V - 7V, or 3.3V Regulated
- Operating current: 120mA Environmental
- Operating Temperature: -40 - +85°C

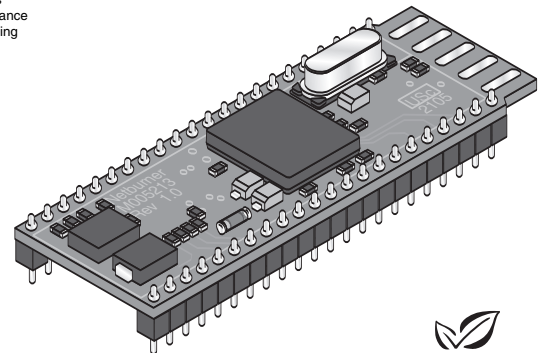
MOD5213 Development Kit

This Development kit contains all the hardware, software, and tools you need to start writing application code for your product or idea immediately. All components are integrated and ready to run so you don't waste any time configuring individual components.

The kit contains the NetBurner Mod5213 Processor Board. This processor board can be incorporated into your final product as a high performance main processor or as a low cost secondary processor.

The kit also contains the Mod5213 Development Board, which provides convenient DB-9 connectors, RS-232 and RS-485 level shifters, Segmented LED display, Real-Time Clock, dip switches, discrete LED's, CAN connector, 8 A/D inputs and filter locations, easy access connectors to processor signals, and a switching power supply.

© Copyright 2007 Mouser Electronics



RoHS Compliant

MOD5213 Module

MOUSER STOCK NO.	Netburner Part No.	Price Each		
		1	100	1000
820-MOD5213-100CR	MOD5213-100CR	39.00	33.00	32.00

MOD5213 Development Kit

MOUSER STOCK NO.	Netburner Part No.	Price Each
820-NNDK-MOD5213-KIT	NNDK-MOD5213-KIT	99.00

© Copyright 2007 Mouser Electronics