

VISHAY / DALE 0603, 0805, 1206 - 0.1% 25ppm Resistors



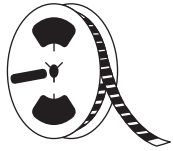
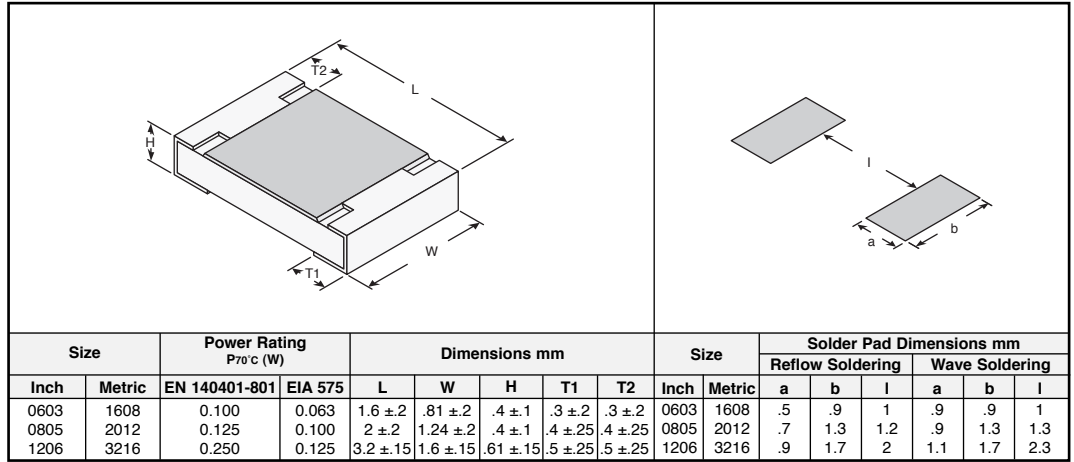
TNPW SERIES - THIN FILM RECTANGULAR, RESISTOR CHIP

Features:

- Metal film layer on high quality ceramic
- Protective top coat
- Excellent stability at different environmental conditions
- Low TC and tight tolerances
- TRC: 25ppm
- Tolerance: 0.1%

Applications:

- Automotive
- Telecommunications
- Medical Equipment
- Industrial Equipment



1000 and 5K Piece Reels Available

LEAD-FREE

RoHS Compliant

Vishay Series	Size	Value Range	MOUSER STOCK NO.		1K REEL OR CUT TAPE			MOUSER STOCK NO.		5K REEL		
					Price Each					Price Each		
			Value	Code	1	100	1000	Value	Code	5,000	10,000	25,000
TNPW	0603	10-200K	71-TNPW0603	Code BEEEN	.52	.42	.38	71-TNPW0603	Code BEEEA	.28	.27	.25
TNPW	0805	10-105K	71-TNPW0805	Code BEEEN	.52	.42	.30	71-TNPW0805	Code BEEEA	.28	.27	.25
TNPW	0805	105K-249K	71-TNPW0805	Code BEEEN	.85	.63	.61	71-TNPW0805	Code BEEEA	.60	.56	.52
TNPW	1206	49.9-150K	71-TNPW1206	Code BEEEN	.69	.48	.43	71-TNPW1206	Code BEEEA	.40	.38	.36
TNPW	1206	165K-1M	71-TNPW1206	Code BEEEN	1.10	.81	.79	71-TNPW1206	Code BEEEA	.92	.41	.36

SMD Resistors

Vishay

Value	Value Code *	Case Sizes			Value	Value Code *	Case Sizes			Value	Value Code *	Case Sizes			Value	Value Code *	Case Sizes		
		0603	0805	1206			0603	0805	1206			0603	0805	1206			0603	0805	1206
10	10R0	X	X		2.21K	2K21		X	X	9.09K	9K09		X	X	38.3K	38K3	X	X	X
49.9	49R9		X	X	2.37K	2K37		X		9.76K	9K76		X		39.2K	39K2		X	
75	75R0	X	X	X	2.43K	2K43		X	X	10K	10K0	X	X	X	40.2K	40K2		X	X
100	100R	X	X	X	2.49K	2K49		X	X	10.2K	10K2	X	X		41.2K	41K2		X	X
121	121R		X		2.67K	2K67		X		10.5K	10K5		X		44.2K	44K2		X	X
150	150R		X	X	2.74K	2K74	X	X		11K	11K0	X	X		45.3K	45K3			X
200	200R		X	X	3.01K	3K01		X	X	12K	12K0		X		47.5K	47K5	X		X
215	215R		X		3.09K	3K09	X		X	12.1K	12K1		X	X	49.9K	49K9	X	X	X
221	221R		X		3.16K	3K16	X		X	12.4K	12K4		X	X	51.1K	51K1	X	X	X
249	249R		X	X	3.32K	3K32		X	X	12.7K	12K7		X		56.2K	56K2			X
274	274R	X			3.4K	3K40		X		13K	13K0		X	X	57.6K	57K6		X	X
301	301R		X	X	3.48K	3K48		X		13.3K	13K3		X		60.4K	60K4	X		
332	332R		X	X	3.57K	3K57		X	X	14K	14K0	X	X		64.9K	64K9			X
392	392R		X		3.74K	3K74	X		X	14.3K	14K3		X	X	66.5K	66K5		X	
402	402R		X		3.92K	3K92		X	X	15K	15K0	X	X	X	68.1K	68K1			X
422	422R		X		4.02K	4K02		X	X	15.4K	15K4		X		71.5K	71K5			X
470	470R		X		4.12K	4K12		X		15.8K	15K8		X		75K	75K0			X
475	475R		X		4.22K	4K22		X	X	16.2K	16K2	X	X	X	76.8K	76K8			X
499	499R		X	X	4.42K	4K42		X		16.9K	16K9		X		80.6K	80K6	X		X
511	511R		X	X	4.53K	4K53		X	X	17.4K	17K4		X	X	82.5K	82K5			X
604	604R		X	X	4.7K	4K70		X	X	17.8K	17K8	X			90.9K	90K9	X	X	X
681	681R		X		4.75K	4K75		X	X	18.2K	18K2		X		100K	100K	X		X
750	750R		X		4.99K	4K99	X	X	X	18.7K	18K7		X	X	105K	105K	X		
787	787R		X		5K	5K00		X	X	19.6K	19K6		X		121K	121K			X
806	806R		X		5.11K	5K11		X	X	20K	20K0	X	X	X	124K	124K			X
825	825R		X		5.23K	5K23		X	X	21K	21K0		X	X	127K	127K			X
909	909R		X		5.49K	5K49		X	X	21.5K	21K5		X		130K	130K			X
931	931R		X		5.62K	5K62		X	X	22.1K	22K1	X	X	X	143K	143K			X
976	976R		X		6.04K	6K04		X	X	24.3K	24K3		X		150K	150K		X	X
1K	1K00	X	X	X	6.19K	6K19		X		24.9K	24K9	X		X	165K	165K			X
1.02K	1K02		X		6.34K	6K34		X	X	25.5K	25K5		X		200K	200K	X	X	X
1.21K	1K21		X	X	6.49K	6K49		X		27.4K	27K4		X	X	221K	221K			X
1.27K	1K27		X		6.81K	6K81		X	X	28K	28K0		X		249K	249K		X	X
1.4K	1K40		X		7.15K	7K15	X			29.4K	29K4		X	X	301K	301K			X
1.47K	1K47		X		7.32K	7K32		X	X	30.1K	30K1	X	X	X	332K	332K			X
1.5K	1K50	X	X	X	7.5K	7K50		X	X	30.9K	30K9		X		499K	499K			X
1.54K	1K54		X		8.06K	8K06		X	X	33.2K	33K2		X	X	1M	1M00			X
1.62K	1K62		X		8.25K	8K25		X	X	34.8K	34K8		X						
2K	2K00	X	X	X	8.45K	8K45		X		35.7K	35K7		X						

