

BOURNS Precision Potentiometers and Dials

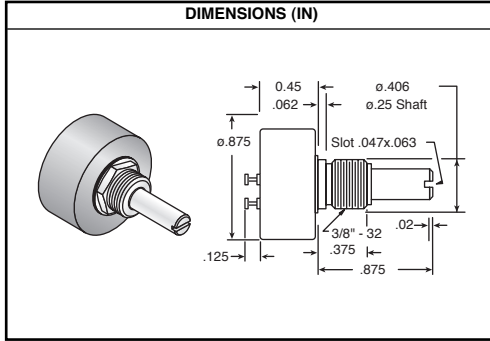


6639 SERIES/CONDUCTIVE PLASTIC/PRECISION

- Features:**
- Essentially infinite resolution
 - Excellent rotational life
 - High quality, rugged construction
 - General purpose applications

- Specifications:**
- Resistance tolerance: ±15%
 - Power rating: 1.0W
 - Mechanical angle: continuous

* Non-standard features available



| MOUSER STOCK NO. | | Value (Ω) | Price Each | | | | | |
|------------------|---------------|-----------|------------|-------|-------|------|------|----------------|
| Mfr. | Mfr. Part No. | | 1 | 10 | 25 | 50 | 100 | |
| 652 | 6639S-1-102 | 1K | 11.40 | 11.10 | 10.25 | 9.25 | 8.40 | Call for Quote |
| 652 | 6639S-1-202 | 2K | 11.40 | 11.10 | 10.25 | 9.25 | 8.40 | |
| 652 | 6639S-1-502 | 5K | 11.40 | 11.10 | 10.25 | 9.25 | 8.40 | |
| 652 | 6639S-1-103 | 10K | 11.40 | 11.10 | 10.25 | 9.25 | 8.40 | |
| 652 | 6639S-1-203 | 20K | 11.40 | 11.10 | 10.25 | 9.25 | 8.40 | |

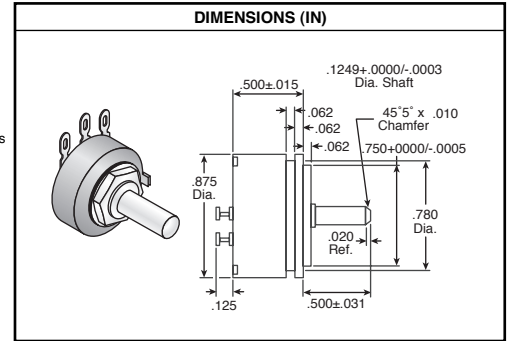


6539 SERIES/CONDUCTIVE PLASTIC/PRECISION

- Features:**
- Essentially infinite resolution
 - Excellent rotational life
 - High quality, rugged construction
 - Servo mount
 - General purpose applications

- Specifications:**
- Resistance tolerance: ±15%
 - Power rating: 1.0W
 - Mechanical angle: continuous

* Non-standard features available

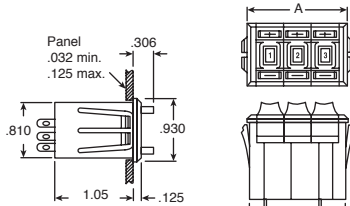
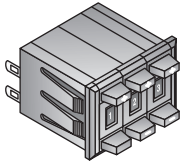


For quantities of 100 and up, call for quote.

| MOUSER STOCK NO. | | Value (Ω) | Price Each | | | | | |
|------------------|---------------|-----------|------------|-------|-------|-------|-------|-------|
| Mfr. | Mfr. Part No. | | 1 | 2 | 5 | 10 | 25 | 50 |
| 652 | 6539S-1-102 | 1k | 46.29 | 38.58 | 30.86 | 27.77 | 24.90 | 23.15 |
| 652 | 6539S-1-502 | 5k | 46.29 | 38.58 | 30.86 | 27.77 | 24.90 | 23.15 |
| 652 | 6539S-1-103 | 10k | 46.29 | 38.58 | 30.86 | 27.77 | 24.90 | 23.15 |



3680 SERIES DIGITAL PUSHBUTTON PRECISION POTENTIOMETERS



- Specifications:**
- Tolerance: ±3%
 - Power rating: 2 Watts
 - Expected life: 75,000 button operations each decade

- Features:**
- Snap-in panel mount
 - Repeatable settings
 - Resolution to 0.001%
 - Digital display provides excellent readability

For quantities of 100 and up, call for quote.

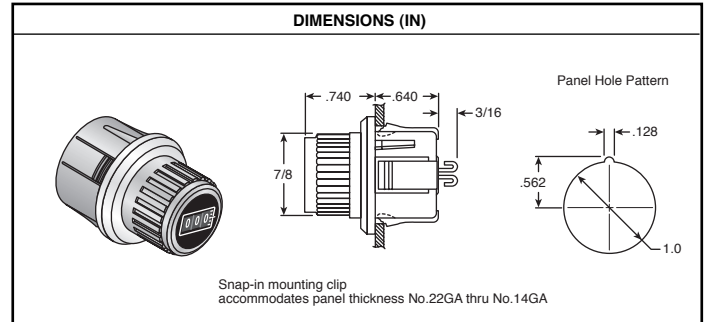
| MOUSER STOCK NO. | | Values (Ω) | Dimensions (IN) | | Price Each | | | | |
|----------------------------|---------------|------------|-----------------|------|------------|-------|-------|-------|-------|
| Mfr. | Mfr. Part No. | | A | B | 1 | 5 | 10 | 25 | 50 |
| 2 Decade Pushbutton | | | | | | | | | |
| 652 | 3682S-1-102 | 1K | 1.05 | 0.99 | 27.34 | 25.97 | 24.61 | 21.88 | 20.23 |
| 652 | 3682S-1-502 | 5K | 1.05 | 0.99 | 27.34 | 25.97 | 24.61 | 21.88 | 20.23 |
| 652 | 3682S-1-103 | 10K | 1.05 | 0.99 | 27.34 | 25.97 | 24.61 | 21.88 | 20.23 |
| 3 Decade Pushbutton | | | | | | | | | |
| 652 | 3683S-1-102 | 1K | 1.46 | 1.39 | 40.46 | 38.44 | 36.42 | 32.37 | 29.94 |
| 652 | 3683S-1-502 | 5K | 1.46 | 1.39 | 40.46 | 38.44 | 36.42 | 32.37 | 29.94 |
| 652 | 3683S-1-103 | 10K | 1.46 | 1.39 | 40.46 | 38.44 | 36.42 | 32.37 | 29.94 |
| 652 | 3683S-1-104 | 100K | 1.46 | 1.39 | 40.46 | 38.44 | 36.42 | 32.37 | 29.94 |



3610 SERIES 10 TURN PRECISION POTENTIOMETER

- Specifications:**
- Tolerance: ±5%
 - Power rating: 1.5 Watts
 - Rotational life: 50,000 revolutions

- Features:**
- Snap-in mounting, easy one hole
 - Space saving: extends only 5/8" behind most panels
 - Digital dial provides excellent reliability



Snap-in mounting clip accommodates panel thickness No.22GA thru No.14GA

For quantities of 100 and up, call for quote.

| MOUSER STOCK NO. | | Values (Ω) | Resolution (%) | Price Each | | | | |
|------------------|---------------|------------|----------------|------------|-------|-------|-------|-------|
| Mfr. | Mfr. Part No. | | | 1 | 5 | 10 | 25 | 50 |
| 652 | 3610S-1-102 | 1K | 0.035 | 60.92 | 57.87 | 54.83 | 48.74 | 45.07 |
| 652 | 3610S-1-502 | 5K | 0.027 | 60.92 | 57.87 | 54.83 | 48.74 | 45.07 |
| 652 | 3610S-1-103 | 10K | 0.022 | 60.92 | 57.87 | 54.83 | 48.74 | 45.07 |



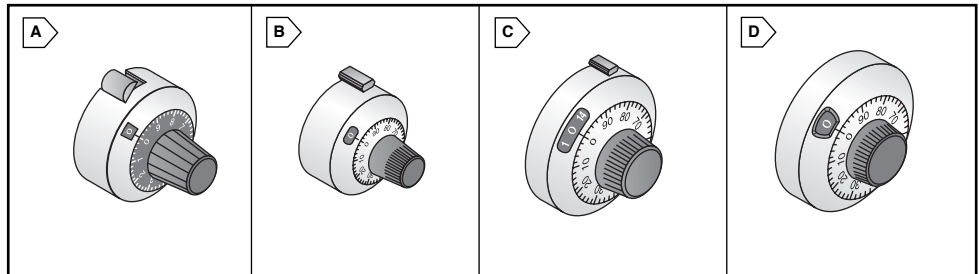
URNS-COUNTING DIALS

Applications:

- H-46:**
- Power supplies
 - Sensors
 - Medical
 - Automation
 - Test equipment
- H-550:**
- Automation equipment
 - Test instrument
 - Industrial machinery
 - Medical instrumentation excluding critical life support applications
 - Test Equipment

Specifications:

- Mount directly to potentiometer shaft
- No backlash
- Excellent readability
- Locking brake



For quantities of 250 and up, call for quote.

| MOUSER STOCK NO. | | Fig. | No. of Turns | Body dia. (IN) | Body Finish | Fits shaft dia. (IN) | Price Each | | | | | |
|------------------|---------------|------|--------------|----------------|-----------------|----------------------|------------|-------|-------|-------|-------|-------|
| Mfr. | Mfr. Part No. | | | | | | 1 | 5 | 10 | 25 | 50 | 100 |
| 652 | H-492-3 | A | 0 to 30 | 1.0 | Clear | 0.25 | 20.13 | 18.64 | 17.14 | 16.78 | 15.73 | 14.62 |
| 652 | H-494-3 | A | 0 to 30 | 1.0 | Black | 0.25 | 20.13 | 18.64 | 17.14 | 16.78 | 15.73 | 14.62 |
| 652 | H-494-2 | A | 0 to 30 | 1.0 | Black | 0.12 | 20.13 | 18.64 | 17.14 | 16.78 | 15.73 | 14.62 |
| 652 | H-22-6A | B | 0 to 15 | 0.874 | Chrome | 0.25 | 10.26 | 8.52 | 8.25 | 8.10 | 7.95 | 7.70 |
| 652 | H-22-6A-B | B | 0 to 15 | 0.874 | Black | 0.25 | 10.26 | 8.52 | 8.25 | 8.10 | 7.95 | 7.70 |
| 652 | H-23-6A | B | 0 to 15 | 0.874 | Polished Chrome | 0.25 | 10.26 | 8.52 | 8.25 | 8.10 | 7.95 | 7.70 |
| 652 | H-22-3A | B | 0 to 15 | 0.874 | Satin Chrome | 0.12 | 10.26 | 8.52 | 8.25 | 8.10 | 7.95 | 7.70 |
| 652 | H-46-6A | C | 0 to 20 | 1.811 | Chrome | 0.25 | 20.12 | 18.25 | 17.51 | 15.92 | 14.50 | 14.37 |
| 652 | H-550-6A | D | 0 to 11 | 1.811 | Gray | 0.25 | 14.50 | 13.05 | 12.33 | 11.68 | 11.15 | 10.53 |