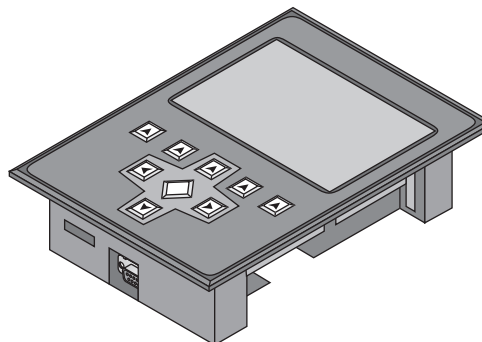


RABBIT Single Board Computers



OP7200 EDISPLAY

The OP7200 eDisplay is an intelligent operator interface that offers rugged I/O, built-in Ethernet connectivity, and optional A/D and touchscreen capabilities. The compact eDisplay is an ideal data acquisition and display device for OEM products and stand-alone systems such as factory floor controls. The unit's 10Base-T Ethernet facilitates remote diagnostics, control, and communication, including sending and receiving E-mails and alerts.



Specifications:

Feature	OP7200	OP7210
Microprocessor	Rabbit 2000™ at 22.1 MHz	
Ethernet Port	10Base-T, RJ-45	
Flash	256K	128K
SRAM	128K	128K
Backup Battery	Socketed 3 V lithium coin-type, 265 mA-h, supports RTC and SRAM, connection for user-supplied external battery	
Keypad/Display	1/4 VGA (320 _ 240 pixels) with programmable on/off white LED backlight, 9-key tactile feedback keypad	
	4096 x 4096 analog touchscreen	No touchscreen
LEDs	4: Power On, Microprocessor Error, Ethernet Link Alive, Ethernet Activity	
Digital Inputs	19 protected to ±36 VDC	16 protected to ±36 VDC
Digital Outputs	8: individually configurable in software; sink up to 350 mA, source up to 250 mA, or tri-state; 40 VDC max.	
Analog Inputs	Eight 11-bit single-ended or four 12-bit differential, 200 kW input impedance, 2.5 ksamples/sec. Eight software-controlled programmable gain/voltage ranges from 0–1 V to 0–20 V.	None
Serial Ports	4 CMOS-compatible: 1 RS-485 (or I/O expansion port), 2 RS-232 (one 5-wire or two 3-wire), One 5V CMOS-compatible (programmable)	
Serial Rate	Max. burst rate = CLK/32, Max. sustained rate = CLK/64	
Real-Time Clock	Yes	
Timers	Five 8-bit timers (4 cascadable from the first) and one 10-bit timer with 2 match registers	
Watchdog/Supervisor	Yes	
Power	9–40 VDC or 24 VAC, 4 W max.	
Operating Temp	–10° to +65°C	
Humidity	20–70%, noncondensing	
I/O Connectors	Screw terminals support max. 14 AWG/1.5 mm2 (standard)	
Product Size	5.67" x 4.41" x 1.70" (144 x 112 x 43 mm)	
Display Area	3.0" x 2.2" (76 x 56 mm)	

Tool Kit

MOUSER STOCK NO.	Description	Price Each
Mfr./Mfr. Part No.		
812—101-0543	OP7200 Tool Kit (board not included)	200.00

Product Only

812—101-0535	Touchscreen	449.00
812—101-0537	Touchscreen 512K/512K	489.00
812—20-101-0536	OP7210, RoHS	399.00
812—101-0538	OP7210 512K/512K	439.00

Expansion Boards

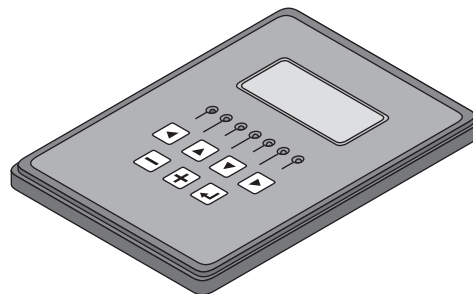
812—101-0688	RabbitNet D/A Expansion Card	89.00
812—101-0617	RN1400 RabbitNet Relay Expansion Card	89.00
812—101-0616	RabbitNet A/D Expansion Card	89.00
812—20-101-0612	RabbitNet I/O Expansion Card, RoHS	89.00
694—101-0467	8 Meg Serial Flash	89.00
812—101-0282	Universal Relay Board	99.00
812—20-101-0879	RN1600 RabbitNet Relay Keypad/Display, RoHS Interface Card	69.00

Programming/Development Tools

694—101-0666	Dynamic C Module	359.00
694—540-0070	RS-232-to-USB Converter Cable	39.00
694—101-0580	RabbitLink Card	129.00
694—101-0589	Rabbit Cloning Board	89.00
812—101-0887	RN1600 RabbitNet Expansion Kit	149.00

OP6800 MINICOM

The MiniCom is a low-cost, C-programmable operator interface and single-board computer that offers Ethernet connectivity, plenty of industrialized I/O, a graphic LCD, and keypad. The MiniCom's compact 4.5" x 3.6" (112 x 91 mm) form factor makes it ideal for use in designs and areas with size constraints. Available in both Ethernet-enabled and non-Ethernet versions, the MiniCom provides comprehensive integrated control, display, and networking capabilities via Internet/Ethernet or serial communications.



Specifications:

Feature	OP6800	OP6810
Microprocessor	Rabbit 2000 at 22.1 MHz	
Ethernet Port	10Base-T, RJ-45	None
Flash	256K	128K
SRAM	128K	128K
Backup Battery	Connection for user-supplied battery (to support RTC and SRAM)	
Keypad/Display	122 x 32 pixel graphic LCD in two stacked sections (with programmable backlight), user-releasable keypad with 7-key / 7-LED interface	
LEDs	7 hardware- or software-driven: 1 red, 4 green, 2 yellow	
Digital Inputs	13 total: 8 protected to ±36 VDC, 5 protected to ±25 VDC	
Digital Outputs	11 total: sink 200 mA, 40 VDC max., 4 with built-in inductive load-protection diode	
Serial Ports	4 total: two 3-wire or one 5-wire RS-232, 1 RS-485, and one 5 V CMOS-compatible (programming)	
Serial Rate	Max. burst rate = CLK/32 Max. sustained rate = burst/2	
Connectors	2 x 20, 0.1" pitch ribbon-cable header	
Real-Time Clock	Yes	
Timers	Five 8-bit timers (four cascadable from the first) and one 10-bit timer with 2 match registers	
Watchdog/Supervisor	Yes	
Power	9–36 VDC, 1.5 W max.	
Operating Temp	0–50°C	
Humidity	5–95%, non-condensing	
Product Size	4.5" x 3.6" x 1.33" (112 x 91 x 33 mm)	

Tool Kit

MOUSER STOCK NO.	Description	Price Each
Mfr./Mfr. Part No.		
812—101-0500	MiniCom Tool Kit (board not included)	200.00

Product Only

812—101-0492	OP6800	249.00
812—20-101-0654	OP6800 512K/512K, RoHS	289.00
812—20-101-0497	OP6810, RoHS	199.00

Programming/Development Tools

694—101-0666	Dynamic C Module	359.00
812—101-0505	OP6800 Proto Board	49.00
694—540-0070	RS-232-to-USB Converter Cable	39.00
694—101-0580	RabbitLink card	129.00
694—101-0589	Rabbit Cloning Board	89.00

Expansion Boards

694—101-0467	8 Meg Serial Flash	89.00
812—101-0282	Universal Relay Board	99.00