

ETI Systems High Precision Single Turn Potentiometers



NEW SUPPLIER

SP22E / SW22E SERIES

SP22E Series: Conductive Plastic

- Life Expectancy: 10 million turns
- Resistance Tolerance: ±15% standard (±10% available)
- Linearity Tolerance: ±1.5% standard (±1% available)
- Operating temp.: -55°C to +125°C (105°C sustained)
- Power Rating: 1 Watt

For quantities of 25 and up, call for quote.

MOUSER STOCK NO.	ETI Systems Part No.	Fig.	Ohms	Price Each		
				1	5	10
882-SP22E-1K	SP22E-1K	A	1K	13.65	12.50	10.90
882-SP22E-2K	SP22E-2K	A	2K	13.65	12.50	10.90
882-SP22E-5K	SP22E-5K	A	5K	13.65	12.50	10.90
882-SP22E-10K	SP22E-10K	A	10K	13.65	12.50	10.90

SW22E Series: Wirewound

- Life Expectancy: 500,000 turns
- Resistance Tolerance: ±3% standard (±1.0% available)
- Linearity Tolerance: ±0.5% standard (±0.25% available)
- Power Rating: 0.5 Watt

For quantities of 25 and up, call for quote.

MOUSER STOCK NO.	ETI Systems Part No.	Fig.	Ohms	Price Each		
				1	5	10
882-SW22E-1K	SW22E-1K	A	1K	28.35	25.20	21.40
882-SW22E-5K	SW22E-5K	A	5K	28.35	25.20	21.40
882-SW22E-10K	SW22E-10K	A	10K	28.35	25.20	21.40

SP22G / SP22GS SERIES

- Conductive Plastic Element, Solderable Double Turret Terminals
- Operating Temperature: -55°C to +125°C (105°C sustained)
- Resistance Tolerance: ±10% standard (±5% available)
- Linearity: ±1.0% standard (up to ±0.25% available)
- Life Expectancy: 10 million turns
- Power Rating: 1 Watt

SP22G Series: Conductive Plastic

- Brass Bushing, 1/4" Dia. Stainless Steel Shaft

For quantities of 25 and up, call for quote.

MOUSER STOCK NO.	ETI Systems Part No.	Fig.	Ohms	Price Each		
				1	5	10
882-SP22G-1K	SP22G-1K	B	1K	13.65	12.50	10.90
882-SP22G-2K	SP22G-2K	B	2K	13.65	12.50	10.90
882-SP22G-5K	SP22G-5K	B	5K	13.65	12.50	10.90
882-SP22G-10K	SP22G-10K	B	10K	13.65	12.50	10.90

SP22GS Series: Servo Mount, Conductive Plastic

- 1/8" Dia. Stainless Steel Shaft, Ball Bearing

For quantities of 25 and up, call for quote.

MOUSER STOCK NO.	ETI Systems Part No.	Fig.	Ohms	Price Each		
				1	5	10
882-SP22GS-1K	SP22GS-1K	C	1K	56.00	50.40	44.80
882-SP22GS-5K	SP22GS-5K	C	5K	56.00	50.40	44.80
882-SP22GS-10K	SP22GS-10K	C	10K	56.00	50.40	44.80

PRECISION TURN COUNTING DIALS / POT COMBINATIONS

DW22 Series: Digital

- Uses ETI Systems Potentiometer MW22B
- Resistance Range: 100 to 100KΩ
- Resistance Tolerance: ±5% standard
- Linearity Tolerance: ±0.25% standard
- Power Rating: 2 Watts
- Counts 10 turns (000 to 999 counts)
- Over the Center Lock
- Diameter- 1 1/16", Extension from Panel- 1.24"
- Operating Temperature: -30°C to +85°C

For quantities of 25 and up, call for quote.

MOUSER STOCK NO.	ETI Systems Part No.	Fig.	Ohms	Price Each		
				1	5	10
882-DW22-10-100	DW22-10-100	D	100	77.60	71.30	65.05
882-DW22-10-1K	DW22-10-1K	D	1K	77.60	71.30	65.05
882-DW22-10-2K	DW22-10-2K	D	2K	77.60	71.30	65.05
882-DW22-10-5K	DW22-10-5K	D	5K	77.60	71.30	65.05
882-DW22-10-10K	DW22-10-10K	D	10K	77.60	71.30	65.05

DC22 Series: With Lock

- Resistance Tolerance: ±5%
- Power Rating: 2 Watts
- Operating Temperature: -30°C to +85°C
- Temp Coefficient: ±20ppm/°C
- Counts up to 10 turns (000-999)

For quantities of 25 and up, call for quote.

MOUSER STOCK NO.	ETI Systems Part No.	Fig.	Ohms	Price Each		
				1	5	10
882-DC22-10-1K	DC22-10-1K	E	1K	77.60	71.30	65.05
882-DC22-10-2K	DC22-10-2K	E	2K	77.60	71.30	65.05
882-DC22-10-5K	DC22-10-5K	E	5K	77.60	71.30	65.05
882-DC22-10-10K	DC22-10-10K	E	10K	77.60	71.30	65.05

CONCENTRIC TURN COUNTING DIALS

MF46 Series: Counts 20 Turns

- 100 Dial Gradations for Exceptional Stability
- Aluminum Housing, Black Nylon Knob
- Over the Center Lock Available
- Diameter- 1 13/16", Extension from Panel- 1"

For quantities of 25 and up, call for quote.

MOUSER STOCK NO.	ETI Systems Part No.	Fig.	Finish	Price Each		
				1	5	10
882-MF46L-1/4	MF46L-1/4	F	Satin	38.65	32.20	29.80

MG Series: Counts 20 Turns

- One Piece Mounting
- Over the Center Lock Available
- Diameter- 7/8", Extension from Panel- 1.0"
- Maximum Panel Thickness- 1/4"

For quantities of 25 and up, call for quote.

MOUSER STOCK NO.	ETI Systems Part No.	Fig.	Finish	Price Each		
				1	5	10
882-MGA22L-1/4	MGA22L-1/4	G	Black	21.20	18.20	16.45
882-MG22L-1/4	MG22L-1/4	G	Satin	21.20	18.20	16.45

MB Series: Counts 10 Turns

- Over the Center Lock Available
- Diameter- 1", Extension from Panel- 1.06"
- Panel Thickness - 1/16" to 1/8"

For quantities of 25 and up, call for quote.

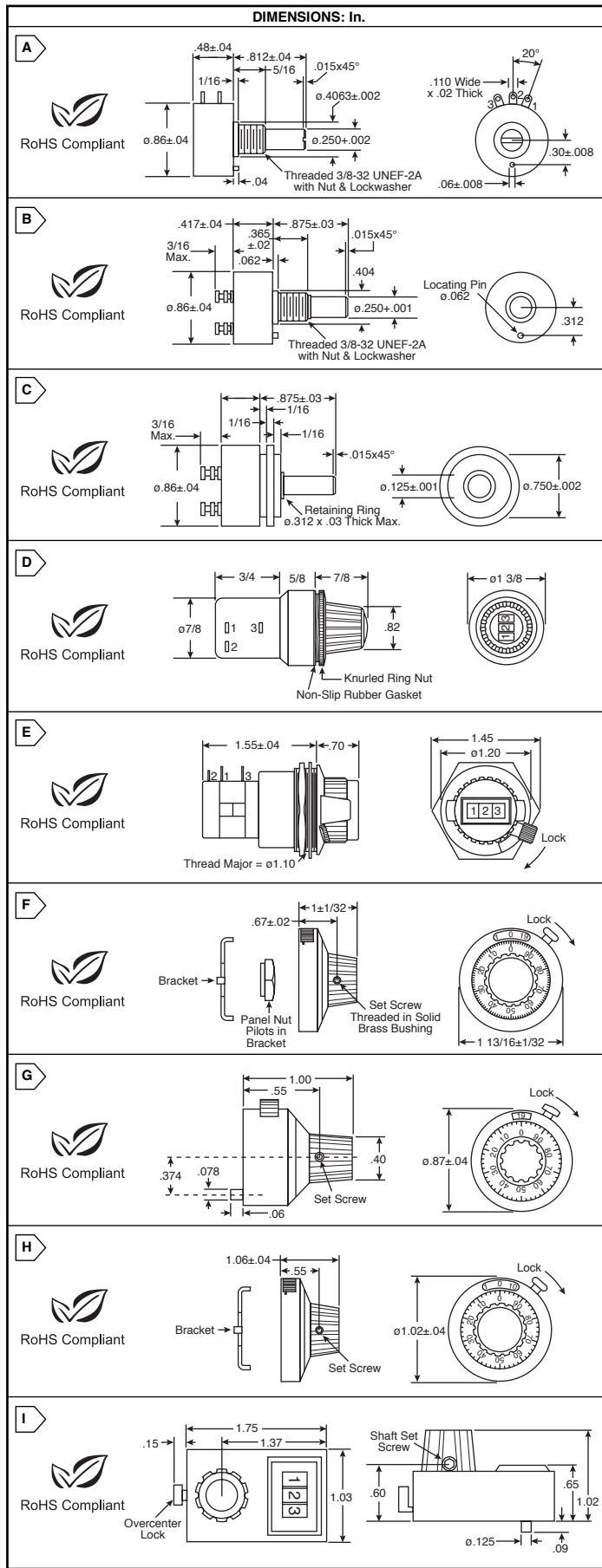
MOUSER STOCK NO.	ETI Systems Part No.	Fig.	Finish	Price Each		
				1	5	10
882-MB25L-1/4	MB25L-1/4	H	Satin	30.40	27.45	25.35
882-MBA25L-1/4	MBA25L-1/4	H	Black	30.40	27.45	25.35

DB Series: Counts 10 Turns

- Counts up to 10 turns (000-999)
- Over the Center Lock Standard
- Height - 1-3/4", Width - 1", Extension from Panel - 1"

For quantities of 25 and up, call for quote.

MOUSER STOCK NO.	ETI Systems Part No.	Fig.	Finish	Price Each
882-DB10SL-1/4	DB10SL-1/4	I	Satin	43.45 39.10 35.50



Precision Pots

ETI Systems

NEW SUPPLIER

NEW SUPPLIER

NEW SUPPLIER