

AVX Tantalum Solid Electrolytic Chip Capacitors



AVX TCJ SERIES CAPACITOR WITH CONDUCTIVE POLYMER ELECTRODE

The TCJ Series of tantalum capacitors with a conductive polymer electrode offers lower ESR, safer non-ignition failure mode, and better capacitance retention compared to the conventional MnO₂ electrode capacitors. The TCJ series is suitable for power management systems with operating temperatures up to 125°C. In addition, the TCJ series complies with RoHS requirements and it is an environmentally friendly component ready for lead-free assembly systems up to 3x reflow with 260°C peak temperature.

Specifications:

- All technical data relate to an ambient temperature of +25°C
- Capacitance Range: 4.7µF - 150µF
- Capacitance Tolerance: ±20%
- Leakage Current DCL: 0.1CV
- Temperature Range: -55°C to +125°C
- Reliability: 1% per 1000 hrs @ 85°C, V_R with 0.1Ω/V_R series impedance, 60% confidence level
- Lead-Free Compatible Component
- Environmentally Friendly Component



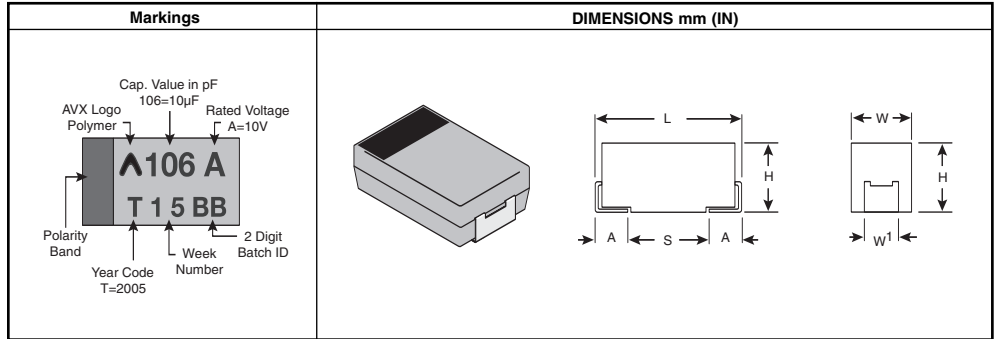
RoHS Compliant



HALOGEN-FREE COMPOUNDS



LEAD-FREE



Code	EIA Code	L ±0.20 (0.008)	W +0.20 (0.008) -0.10 (0.004)	H +0.20 (0.008) -0.10 (0.004)	* W1 ±0.20 (0.008)	A +0.30 (0.012) -0.20 (0.008)	S Min.
A	3216-18	3.20 (0.126)	1.60 (0.063)	1.60 (0.063)	1.20 (0.047)	0.80 (0.031)	1.80 (0.071)
B	3528-21	3.50 (0.138)	2.80 (0.110)	1.90 (0.075)	2.20 (0.087)	0.80 (0.031)	1.40 (0.055)
R	2012-12	2.05 (0.081)	1.30 (0.051)	1.20 (0.047) max	1.0±0.1 0 (0.039±0.004)	.50 (0.020)	0.85 (0.033)
T	3528-12	3.50 (0.138)	2.80 (0.110)	1.20 (0.047) max	2.20 (0.087)	0.80 (0.031)	2.00 (0.079)

* W1 dimension applies to the termination width for A dimensional area only.

For quantities of 500 and up, call for quote.

MOUSER STOCK NO.	AVX Part No.	Capacitance Value (µF)	Case Size	DCL (µA) Max.	DF % (µA) Max.	ESR (mΩ) @ 100 kHz	Price Each			Tape and Reel	
							1	10	100	Qty per Reel	Price Each
2.5 Volt @ 85°C (1.7 Volt Rating @ 125°C) • Surge Voltage: 3.3V @ 85°C, 2.0V @ 125°C											
581-TCJA686M2R250	TCJA686M002R0250	68	A	17	6	250	1.84	1.73	1.61	2000	.81
581-TCJA107M2R200	TCJA107M002R0200	100	A	25	6	200	1.84	1.73	1.61	2000	.81
581-TCJB107M2R70	TCJB107M002R0070	100	B	25	6	70	1.84	1.73	1.61	2000	.81
581-TCJB157M2R70	TCJB157M002R0070	150	B	37.5	6	70	1.84	1.73	1.61	2000	.81
4 Volt @ 85°C (2.7 Volt Rating @ 125°C) • Surge Voltage: 5.2V @ 85°C, 3.4V @ 125°C											
581-TCJA156M4R300	TCJA156M004R0300	15	A	6	6	300	1.60	1.50	1.40	2000	.70
581-TCJA226M4R300	TCJA226M004R0300	22	A	8.8	6	300	1.60	1.50	1.40	2000	.70
581-TCJA336M4R300	TCJA336M004R0300	33	A	13.2	6	300	1.84	1.73	1.61	2000	.81
581-TCJA476M4R200	TCJA476M004R0200	47	A	18.8	6	200	1.84	1.73	1.61	2000	.81
581-TCJT476M4R80	TCJT476M004R0080	47	T	18.8	8	80	2.00	1.88	1.75	2500	.88
581-TCJA686M4R250	TCJA686M004R0250	68	A	27.2	6	250	1.84	1.73	1.61	2000	.81
581-TCJB686M4R70	TCJB686M004R0070	68	B	27.2	6	70	1.84	1.73	1.61	2000	.81
581-TCJT686M4R80	TCJT686M004R0080	68	T	27.2	8	80	2.00	1.88	1.75	2500	.88
581-TCJA107M4R200	TCJA107M004R0200	100	A	40	6	200	1.84	1.73	1.61	2000	.81
581-TCJB107M4R70	TCJB107M004R0070	100	B	40	8	70	1.84	1.73	1.61	2000	.81
581-TCJT107M4R150	TCJT107M004R0150	100	T	40	8	150	2.00	1.88	1.75	2500	.88
581-TCJB157M4R70	TCJB157M004R0070	150	B	60	6	70	1.84	1.73	1.61	2000	.81
6.3 Volt @ 85°C (4 Volt Rating @ 125°C) • Surge Voltage: 8V @ 85°C, 5.0V @ 125°C											
581-TCJA106M6R300	TCJA106M006R0300	10	A	6	6	300	3.76	3.53	3.29	2000	1.65
581-TCJR106M6R500	TCJR106M006R0500	10	R	6	6	500	2.40	2.25	2.10	2500	1.05
581-TCJA156M6R300	TCJA156M006R0300	15	A	9	6	300	3.76	3.53	3.29	2000	1.65
581-TCJA226M6R300	TCJA226M006R0300	22	A	13.2	6	300	1.84	1.73	1.61	2000	.81
581-TCJT226M6R150	TCJT226M006R0150	22	T	13.2	6	150	2.00	1.88	1.75	2500	.88
581-TCJA336M6R200	TCJA336M006R0200	33	A	19.8	6	200	1.84	1.73	1.61	2000	.81
581-TCJB336M6R200	TCJB336M006R0200	33	B	19.8	6	200	1.84	1.73	1.61	2000	.81
581-TCJT336M6R150	TCJT336M006R0150	33	T	19.8	8	150	2.00	1.88	1.75	2500	.88
581-TCJA476M6R200	TCJA476M006R0200	47	A	28.2	6	200	1.84	1.73	1.61	2000	.81
581-TCJB476M6R70	TCJB476M006R0070	47	B	28.2	6	70	1.84	1.73	1.61	2000	.81
581-TCJT476M6R80	TCJT476M006R0080	47	T	28.2	8	80	2.00	1.88	1.75	2500	.88
581-TCJB686M6R70	TCJB686M006R0070	68	B	40.8	8	70	1.84	1.73	1.64	2000	.81
581-TCJC686M6R100	TCJC686M006R0100	68	C	40.8	6	100	2.16	2.03	1.89	500	1.35
581-TCJB107M6R70	TCJB107M006R0070	100	B	60	10	70	1.84	1.73	1.64	2000	.81
10 Volt @ 85°C (7 Volt Rating @ 125°C) • Surge Voltage: 13V @ 85°C, 8V @ 125°C											
581-TCJR475M10R500	TCJR475M010R0500	4.7	R	4.7	6	500	2.40	2.25	2.10	2500	1.05
581-TCJA106M10R300	TCJA106M010R0300	10	A	10	6	300	3.76	3.53	3.29	2000	1.65
581-TCJA156M10R200	TCJA156M010R0200	15	A	15	6	200	1.84	1.73	1.64	2000	.81
581-TCJB226M10R300	TCJB226M010R0300	22	B	22	6	300	1.84	1.73	1.64	2000	.81
581-TCJT226M10R150	TCJT226M010R0150	22	T	22	6	150	2.00	1.88	1.75	2500	.88
581-TCJB336M10R200	TCJB336M010R0200	33	B	33	6	200	1.84	1.73	1.64	2000	.81
581-TCJC336M10R100	TCJC336M010R0100	33	C	33	6	100	2.16	2.03	1.89	500	1.35
581-TCJT336M10R150	TCJT336M010R0150	33	T	33	6	50	2.00	1.88	1.75	2500	.88
581-TCJB476M10R70	TCJB476M010R0070	47	B	47	6	70	1.84	1.73	1.64	2000	.81
581-TCJC476M10R100	TCJC476M010R0100	47	C	47	6	100	2.16	2.03	1.89	500	1.35
16 Volt @ 85°C (10 Volt Rating @ 125°C) • Surge Voltage: 20V @ 85°C, 13V @ 125°C											
581-TCJA685M16R200	TCJA685M016R0200	6.8	A	10.9	6	200	1.84	1.73	1.64	2000	.81
581-TCJA106M16R200	TCJA106M016R0200	10	A	16	6	200	1.84	1.73	1.64	2000	.81
581-TCJT106M16R150	TCJT106M016R0150	10	T	16	6	150	2.00	1.88	1.75	2500	.88
581-TCJB156M16R150	TCJB156M016R0150	15	B	24	6	150	1.84	1.73	1.64	2000	.81
581-TCJB226M16R150	TCJB226M016R0150	22	B	35.2	6	150	1.84	1.73	1.64	2000	.81

