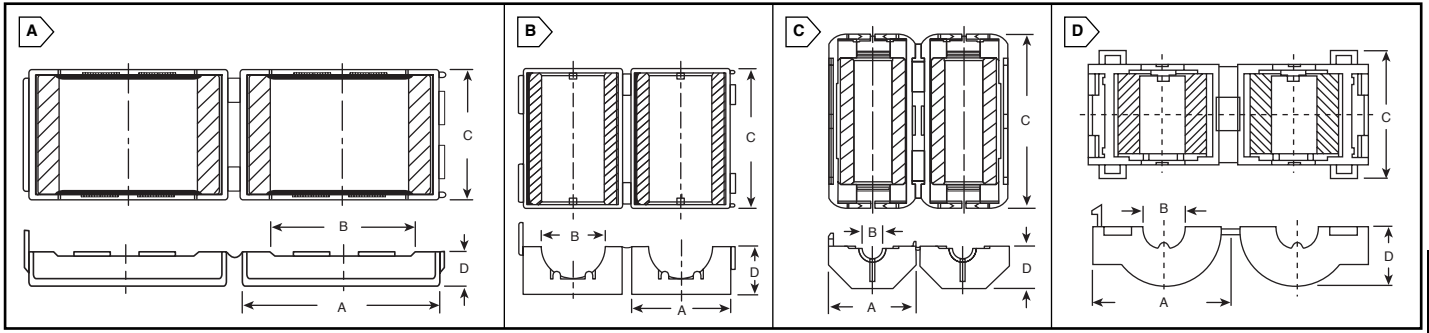


# FAIR-RITE EMI Suppression Ferrite Cores



## Fair-Rite Products Corp. EMI SUPPRESSION CORES WITH CASES

DIMENSIONS: (IN)

### Flat Cable Cores with Cases

- Case material: Polypropylene
- Flammability rating: UL94-V0

For quantities of 100 and up, call for quote.

| MOUSER STOCK NO. | Fair-Rite Part No. | Fig. | Typ. Imp. (Ω) @ 100MHz | Typ. Imp. (Ω) @ 10MHz | Dimensions (In.) |       |       |      | Price Each |      |      |
|------------------|--------------------|------|------------------------|-----------------------|------------------|-------|-------|------|------------|------|------|
|                  |                    |      |                        |                       | A                | B     | C     | D    | 1          | 10   | 50   |
| 623-0443166651   | 0443166651         | A    | 225                    | ---                   | 1.950            | 1.350 | 1.272 | .320 | 3.19       | 2.90 | 2.64 |
| 623-0443163951   | 0443163951         | A    | 235                    | 35                    | 2.670            | 2.050 | 1.272 | .320 | 4.45       | 4.04 | 3.67 |
| 623-0431164051   | 0443164051         | A    | 215                    | ---                   | 3.180            | 2.570 | 1.272 | .320 | 5.30       | 4.82 | 4.38 |

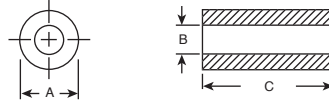
### Round Cable Cores with Cases

For quantities of 100 and up, call for quote.

| MOUSER STOCK NO.   | Fair-Rite Part No. | Fig. | Typ. Imp. (Ω) @ 10MHz | Typ. Imp. (Ω) @ 25MHz | Typ. Imp. (Ω) @ 100MHz | Typ. Imp. (Ω) @ 250MHz | Typ. Imp. (Ω) @ 500MHz | Dimensions (In.) |       |       |       | Price Each |       |       |
|--------------------|--------------------|------|-----------------------|-----------------------|------------------------|------------------------|------------------------|------------------|-------|-------|-------|------------|-------|-------|
|                    |                    |      |                       |                       |                        |                        |                        | A                | B     | C     | D     | 1          | 10    | 50    |
| <b>Material 31</b> |                    |      |                       |                       |                        |                        |                        |                  |       |       |       |            |       |       |
| 623-0431164181     | 0431164181         | C    | 100                   | 156                   | 260                    | ---                    | ---                    | 1.220            | 0.512 | 1.550 | 0.600 | 4.01       | 3.60  | 2.87  |
| 623-0431164281     | 0431164281         | C    | 113                   | 188                   | 310                    | ---                    | ---                    | 0.788            | 0.260 | 1.550 | 0.385 | 2.18       | 1.81  | 1.50  |
| 623-0431164951     | 0431164951         | C    | 100                   | 169                   | 280                    | ---                    | ---                    | 0.680            | 0.200 | 1.420 | 0.331 | 1.47       | 1.32  | 1.05  |
| 623-0431167281     | 0431167281         | C    | 81                    | 144                   | 240                    | ---                    | ---                    | 0.933            | 0.400 | 1.550 | 0.460 | 2.70       | 2.33  | 1.80  |
| 623-0431173951     | 0431173951         | C    | 60                    | 100                   | 180                    | ---                    | ---                    | 0.504            | 0.200 | 0.984 | 0.220 | 1.40       | 1.15  | 1.05  |
| 623-0431176451     | 0431176451         | C    | 130                   | 225                   | 380                    | ---                    | ---                    | 1.520            | 0.722 | 1.870 | 0.754 | 6.70       | 5.60  | 5.05  |
| 623-0431177081     | 0431177081         | C    | 145                   | 235                   | 375                    | ---                    | ---                    | 2.220            | 1.000 | 1.690 | 1.080 | 18.64      | 15.36 | 14.29 |
| <b>Material 43</b> |                    |      |                       |                       |                        |                        |                        |                  |       |       |       |            |       |       |
| 623-0443164151     | 0443164151         | B    | ---                   | 156                   | 250                    | ---                    | ---                    | 1.142            | 0.528 | 1.280 | 0.583 | 3.43       | 3.12  | 2.84  |
| 623-0443164251     | 0443164251         | B    | ---                   | 163                   | 275                    | ---                    | ---                    | 0.705            | 0.275 | 1.272 | 0.362 | 1.97       | 1.79  | 1.63  |
| 623-0443167251     | 0443167251         | B    | ---                   | 138                   | 225                    | ---                    | ---                    | 0.870            | 0.402 | 1.272 | 0.433 | 2.29       | 2.08  | 1.89  |
| 623-0443625006     | 0443625006         | D    | ---                   | 50                    | 113                    | ---                    | ---                    | 0.972            | 0.311 | 0.898 | 0.402 | 1.10       | .85   | .80   |
| 623-0443665806     | 0443665806         | D    | ---                   | 41                    | 88                     | ---                    | ---                    | 1.035            | 0.362 | 0.843 | 0.433 | 1.71       | 1.55  | 1.42  |
| 623-0443800506     | 0443800506         | D    | ---                   | 35                    | 75                     | ---                    | ---                    | 1.169            | 0.504 | 0.811 | 0.500 | 1.63       | 1.48  | 1.35  |
| 623-0443806406     | 0443806406         | D    | ---                   | 43                    | 90                     | ---                    | ---                    | 1.350            | 0.591 | 0.835 | 0.591 | 1.56       | 1.42  | 1.28  |
| <b>Material 44</b> |                    |      |                       |                       |                        |                        |                        |                  |       |       |       |            |       |       |
| 623-0444164181     | 0444164181         | C    | ---                   | 138                   | 230                    | ---                    | ---                    | 1.220            | 0.512 | 1.550 | 0.600 | 2.52       | 2.29  | 2.08  |
| 623-0444164281     | 0444164281         | C    | ---                   | 156                   | 260                    | ---                    | ---                    | 0.788            | 0.260 | 1.550 | 0.385 | 1.63       | 1.48  | 1.34  |
| 623-0444167281     | 0444167281         | C    | ---                   | 125                   | 210                    | ---                    | ---                    | 0.933            | 0.400 | 1.550 | 0.461 | 2.21       | 2.01  | 1.82  |
| 623-0444173951     | 0444173951         | C    | ---                   | 94                    | 150                    | ---                    | ---                    | 0.504            | 0.200 | 0.984 | 0.220 | 1.27       | 1.16  | 1.05  |
| 623-0444176451     | 0444176451         | C    | ---                   | 175                   | 365                    | ---                    | ---                    | 1.520            | 0.722 | 1.870 | 0.754 | 6.48       | 5.40  | 4.97  |
| 623-0444177081     | 0444177081         | C    | ---                   | 195                   | 340                    | ---                    | ---                    | 2.220            | 1.000 | 1.690 | 1.080 | 13.24      | 11.04 | 10.15 |
| <b>Material 61</b> |                    |      |                       |                       |                        |                        |                        |                  |       |       |       |            |       |       |
| 623-0461164181     | 0461164181         | C    | ---                   | ---                   | 206                    | 334                    | 475                    | 1.220            | 0.512 | 1.550 | 0.600 | 3.90       | 3.30  | 2.64  |
| 623-0461164281     | 0461164281         | C    | ---                   | ---                   | 269                    | 395                    | 430                    | 0.788            | 0.260 | 1.550 | 0.385 | 2.27       | 1.90  | 1.51  |
| 623-0461167281     | 0461167281         | C    | ---                   | ---                   | 195                    | 315                    | 450                    | 0.933            | 0.400 | 1.550 | 0.461 | 2.79       | 2.48  | 1.98  |

## Fair-Rite Products Corp. EMI SUPPRESSION CORES

Recommended suppression materials of unwanted signals between 10 MHz and 1000 MHz



For quantities of 2000 and up, call for quote.

| MOUSER STOCK NO.   | Fair-Rite Part No. | Typ. Imp. (Ω) @ 10MHz | Typ. Imp. (Ω) @ 25MHz | Typ. Imp. (Ω) @ 100MHz | Typ. Imp. (Ω) @ 250MHz | Typ. Imp. (Ω) @ 1000MHz | Dimensions (In.) |       |       | Price Each |      |      |      |
|--------------------|--------------------|-----------------------|-----------------------|------------------------|------------------------|-------------------------|------------------|-------|-------|------------|------|------|------|
|                    |                    |                       |                       |                        |                        |                         | A                | B     | C     | 1          | 100  | 500  | 1000 |
| <b>Material 31</b> |                    |                       |                       |                        |                        |                         |                  |       |       |            |      |      |      |
| 623-2631102002     | 2631102002         | 103                   | 156                   | 260                    | ---                    | ---                     | 1.020            | 0.505 | 1.125 | 1.62       | 1.48 | 1.33 | 1.21 |
| 623-2631480002     | 2631480002         | 115                   | 175                   | 295                    | ---                    | ---                     | 0.485            | 0.200 | 1.000 | .84        | .75  | .66  | .61  |
| 623-2631480102     | 2631480102         | 58                    | 88                    | 140                    | ---                    | ---                     | 0.485            | 0.200 | 0.500 | .42        | .32  | .26  | .23  |
| 623-2631540002     | 2631540002         | 119                   | 181                   | 300                    | ---                    | ---                     | 0.562            | 0.250 | 1.125 | .60        | .50  | .45  | .40  |
| 623-2631665702     | 2631665702         | 89                    | 138                   | 225                    | ---                    | ---                     | 0.687            | 0.375 | 1.125 | 1.05       | .76  | .56  | .48  |
| <b>Material 43</b> |                    |                       |                       |                        |                        |                         |                  |       |       |            |      |      |      |
| 623-2643102002     | 2643102002         | ---                   | 145                   | 235                    | ---                    | ---                     | 1.020            | 0.505 | 1.125 | 1.67       | 1.51 | 1.38 | 1.25 |
| 623-2643480002     | 2643480002         | ---                   | 165                   | 236                    | ---                    | ---                     | 0.485            | 0.200 | 1.000 | .60        | .48  | .36  | .24  |
| 623-2643540002     | 2643540002         | ---                   | 171                   | 250                    | ---                    | ---                     | 0.562            | 0.250 | 1.125 | .56        | .51  | .46  | .42  |
| 623-2643625002     | 2643625002         | ---                   | 70                    | 113                    | ---                    | ---                     | 0.625            | 0.312 | 0.562 | .55        | .45  | .30  | .20  |
| 623-2643625202     | 2643625202         | ---                   | 235                   | 384                    | ---                    | ---                     | 0.625            | 0.312 | 2.000 | 1.25       | 1.11 | 1.00 | .91  |
| 623-2643626402     | 2643626402         | ---                   | 128                   | 196                    | ---                    | ---                     | 0.735            | 0.400 | 1.125 | .69        | .58  | .46  | .41  |
| 623-2643665702     | 2643665702         | ---                   | 125                   | 200                    | ---                    | ---                     | 0.687            | 0.375 | 1.125 | .70        | .63  | .58  | .52  |
| 623-2643665802     | 2643665802         | ---                   | 55                    | 88                     | ---                    | ---                     | 0.687            | 0.375 | 0.500 | .36        | .32  | .30  | .27  |
| 623-2643800502     | 2643800502         | ---                   | 45                    | 82                     | ---                    | ---                     | 0.825            | 0.520 | 0.468 | .45        | .42  | .40  | .37  |
| 623-2643801002     | 2643801002         | ---                   | 28                    | 47                     | ---                    | ---                     | 1.142            | 0.748 | 0.295 | .69        | .57  | .49  | .44  |
| 623-2643802702     | 2643802702         | ---                   | 48                    | 80                     | ---                    | ---                     | 1.400            | 0.900 | 0.500 | 1.33       | 1.16 | .99  | .83  |
| 623-2643803802     | 2643803802         | ---                   | 58                    | 108                    | ---                    | ---                     | 2.400            | 1.400 | 0.500 | 3.91       | 3.70 | 3.49 | 3.28 |
| 623-2643806402     | 2643806402         | ---                   | 53                    | 90                     | ---                    | ---                     | 1.000            | 0.610 | 0.500 | .70        | .66  | .62  | .57  |
| <b>Material 61</b> |                    |                       |                       |                        |                        |                         |                  |       |       |            |      |      |      |
| 623-2661102002     | 2661102002         | ---                   | ---                   | 225                    | 310                    | 275                     | 1.020            | 0.505 | 1.125 | 2.23       | 2.10 | 1.97 | 1.84 |
| 623-2661540002     | 2661540002         | ---                   | ---                   | 250                    | 310                    | 260                     | 0.562            | 0.250 | 1.125 | .90        | .82  | .75  | .68  |
| 623-2661665702     | 2661665702         | ---                   | ---                   | 156                    | 260                    | 320                     | 0.687            | 0.375 | 1.125 | .99        | .94  | .88  | .82  |