

# Hi Power LEDs

HI-POWER LEDs

HI-POWER LEDs



## HI POWER SERIES

For quantities of 200 and up, call for quote.

MOUSER STOCK NO.	CML Part No.	Fig.	Color	Wave-length (nm)	Luminous Flux (lm)	Power (W)	Voltage (VDC)	Current (A)	Price Each			
									1	10	50	100
607-CMDA30RGB15D13L	CMDA30RGB15D13L	A	RGB	625/527/430	60	1	3.4	0.4	21.20	19.12	17.14	15.51
607-CMDA48AR15D13L	CMDA48AR15D13L	B	Red	625	30	2.5	2.5	0.8	5.28	4.32	3.88	3.51
607-CMDA48AG15D13L	CMDA48AG15D13L	B	Green	527	48	2.5	3.4	0.8	10.55	9.52	8.54	7.72
607-CMDA48CB15D13L	CMDA48CB15D13L	B	Blue	460	11	2.5	3.4	0.8	9.70	8.75	7.84	7.10
607-CMDA48CW15D13L	CMDA48CW15D13L	B	White	6500K	60	2.5	3.4	0.8	9.70	8.75	7.84	7.10
607-CMDA49AR15D13L	CMDA49AR15D13L	C	Red	625	30	2.5	2.5	0.8	6.20	5.08	4.55	4.12
607-CMDA49AG15D13L	CMDA49AG15D13L	C	Green	527	48	2.5	3.4	0.8	11.25	10.15	9.10	8.24
607-CMDA49CB15D13L	CMDA49CB15D13L	C	Blue	460	11	2.5	3.4	0.8	11.63	9.52	8.54	7.72
607-CMDA49CW15D13L	CMDA49CW15D13L	C	White	6500K	60	2.5	3.4	0.8	11.63	9.52	8.54	7.72
607-CMDA51CB15D13L	CMDA51CB15D13L	D	Blue	460	11	5	3.4	1.6	21.40	19.31	17.31	15.66
607-CMDA51CW15D13L	CMDA51CW15D13L	D	White	6500K	60	5	3.4	1.6	22.28	20.10	18.02	16.31
607-CMDA52CB15D13L	CMDA52CB15D13L	E	Blue	460	11	5	3.4	1.6	22.28	20.10	18.02	16.31
607-CMDA52CW15D13L	CMDA52CW15D13L	E	White	6500K	60	5	3.4	1.6	22.84	20.60	18.47	16.72



## LINKLED SERIES

For quantities of 200 and up, call for quote.

MOUSER STOCK NO.	Dialight Part No.	Fig.	Color	Wave-length (nm)	Luminous Flux (lm)	Power (W)	Voltage (VDC)	Current (A)	Price Each			
									1	10	50	100
645-LK11R	LK1-1-R	F	Red	627	44	1	3.6	0.35	16.59	13.58	12.18	11.02
645-LK11A	LK1-1-A	F	Amber	590	36	1	3.6	0.35	16.59	13.58	12.18	11.02
645-LK11G	LK1-1-G	F	Green	530	25	1.2	3.6	0.35	17.96	14.70	13.18	11.92
645-LK11B	LK1-1-B	F	Blue	455	4	1.2	3.6	0.35	17.96	14.70	13.18	11.92
645-LK11WW	LK1-1-WW	F	Warm White	3200K	18	1.2	3.6	0.35	19.99	16.36	14.67	13.27
645-LK11W	LK1-1-W	F	White	4500K	25	1.2	3.6	0.35	19.99	16.36	14.67	13.27

## Kingbright XPOWER SMD SERIES

For quantities of 200 and up, call for quote.

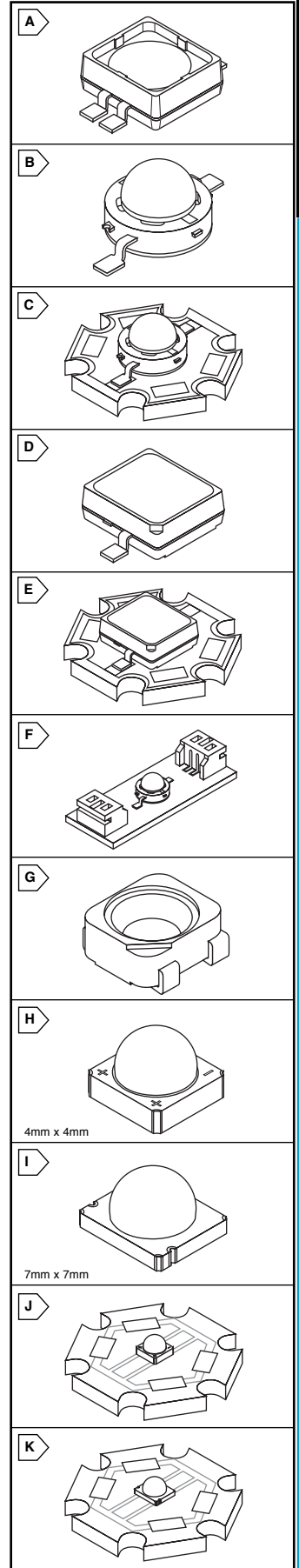
MOUSER STOCK NO.	Kingbright Part No.	Fig.	Color	Wave-length (nm)	Luminous Flux (lm)	Power (W)	Voltage (VDC)	Current (A)	Price Each			
									1	10	50	100
604-AA1010SEC28	AA1010SEC28	A	Hi-Eff Red	625	20	1.2	2.5	0.35	3.39	2.77	2.48	2.25
604-AA1010SYC28	AA1010SYC28	A	Yellow	588	21	1.2	2.5	0.35	3.39	2.77	2.48	2.25

## LedEngin, Inc. SOLID STATE LIGHTING



For quantities of 200 and up, call for quote.

MOUSER STOCK NO.	LEDEngin Part No.	Fig.	Color	Wavelength (nm)	Luminous Flux (lm)	Power (W)	Voltage (VDC)	Current (mA)	Price Each			
									1	10	50	100
897-LZ005001R1G	LZ-005001R1G	H	Red	630	50	1.1	3	350	6.38	5.10	4.59	4.21
897-LZ005001G1G	LZ-005001G1G	H	Green	514-531	85	1.2	3.5	350	7.63	6.10	5.49	5.03
897-LZ005001B1G	LZ-005001B1G	H	Blue	449-469	25	1.2	3.5	350	7.98	6.38	5.74	5.26
897-LZ005001W1G	LZ-005001W1G	H	White	4500-8000K	83	1.2	3.5	350	8.33	6.66	5.99	5.49
897-LZ005003R1G	LZ-005003R1G	H	Red	630	90	2.5	3.6	700	6.85	5.48	4.93	4.52
897-LZ005003G1G	LZ-005003G1G	H	Green	514-531	130	2.7	3.8	700	8.65	6.92	6.23	5.71
897-LZ005003B1G	LZ-005003B1G	H	Blue	449-469	42	2.7	3.8	700	9.85	7.88	7.09	6.50
897-LZ005003W1G	LZ-005003W1G	H	White	4500-8000K	135	2.7	3.8	700	10.30	8.24	7.42	6.80
897-LZ005005R1G	LZ-005005R1G	H	Red	630	140	4.2	4	1050	17.85	14.28	12.85	11.78
897-LZ005005G1G	LZ-005005G1G	H	Green	508-531	160	4.3	4.1	1050	19.50	15.60	14.04	12.87
897-LZ005005B1G	LZ-005005B1G	H	Blue	443-473	55	4.3	4.1	1050	19.28	15.42	13.88	12.72
897-LZ005005W1G	LZ-005005W1G	H	White	4500-8000K	170	4.3	4.1	1050	19.75	15.80	14.22	13.04
897-LZ010010R4G	LZ-010010R4G	I	Red	635	320	11.2	12	700	50.76	45.12	42.30	39.48
897-LZ010010G4G	LZ-010010G4G	I	Green	530	465	10.4	14.8	700	76.14	67.68	63.45	59.22
897-LZ010010B4G	LZ-010010B4G	I	Blue	443-473	165	10.4	14.8	700	69.08	61.41	57.57	53.73
897-LZ010010W4G	LZ-010010W4G	I	White	4500-8000K	370	10.4	14.8	700	82.91	73.70	69.09	64.48
897-LZ005001R1G1	LZ-005001R1G1	J	Red	630	50	1.1	3	350	7.90	6.32	5.69	5.21
897-LZ005001G1G1	LZ-005001G1G1	J	Green	514-531	85	1.2	3.5	350	9.18	7.34	6.61	6.06
897-LZ005001B1G1	LZ-005001B1G1	J	Blue	449-469	25	1.2	3.5	350	9.50	7.60	6.84	6.27
897-LZ005001W1G1	LZ-005001W1G1	J	White	4500-8000K	83	1.2	3.5	350	9.85	7.88	7.09	6.50
897-LZ005003R1G1	LZ-005003R1G1	J	Red	630	90	2.5	3.6	700	8.38	6.70	6.03	5.53
897-LZ005003G1G1	LZ-005003G1G1	J	Green	514-531	130	2.7	3.8	700	10.20	8.16	7.34	6.73
897-LZ005003B1G1	LZ-005003B1G1	J	Blue	449-469	42	2.7	3.8	700	11.38	9.10	8.19	7.51
897-LZ005003W1G1	LZ-005003W1G1	J	White	4500-8000K	135	2.7	3.8	700	11.83	9.46	8.51	7.80
897-LZ005005R1G1	LZ-005005R1G1	J	Red	630	140	4.2	4	1050	19.40	15.52	13.97	12.80
897-LZ005005G1G1	LZ-005005G1G1	J	Green	508-531	160	4.3	4.1	1050	21.03	16.82	15.14	13.88
897-LZ005005D1G1	LZ-005005D1G1	J	Dental Blue	455-465	55	4.3	4.1	1050	35.31	29.43	23.54	20.01
897-LZ005005B1G1	LZ-005005B1G1	J	Blue	443-473	55	4.3	4.1	1050	20.80	16.64	14.98	13.73
897-LZ005005W1G1	LZ-005005W1G1	J	White	4500-8000K	170	4.3	4.1	1050	21.28	17.02	15.32	14.04
897-LZ010010R4G1	LZ-010010R4G1	K	Red	635	320	11.2	12	700	58.03	51.58	48.36	45.14
897-LZ010010G4G1	LZ-010010G4G1	K	Green	530	465	10.4	14.8	700	82.15	73.02	68.46	63.90
897-LZ010010D4G1	LZ-010010D4G1	K	Dental Blue	455-465	165	10.4	14.8	1050	98.23	87.31	81.86	76.40
897-LZ010010B4G1	LZ-010010B4G1	K	Blue	443-473	165	10.4	14.8	700	75.44	67.06	62.87	58.67
897-LZ010010W4G1	LZ-010010W4G1	K	White	4500-8000K	370	10.4	14.8	700	88.58	78.74	73.82	68.89



NEW FROM SUPPLIER

NEW FROM SUPPLIER

NEW FROM SUPPLIER

NEW FROM SUPPLIER

NEW FROM SUPPLIER

NEW FROM SUPPLIER

NEW FROM SUPPLIER

NEW FROM SUPPLIER

