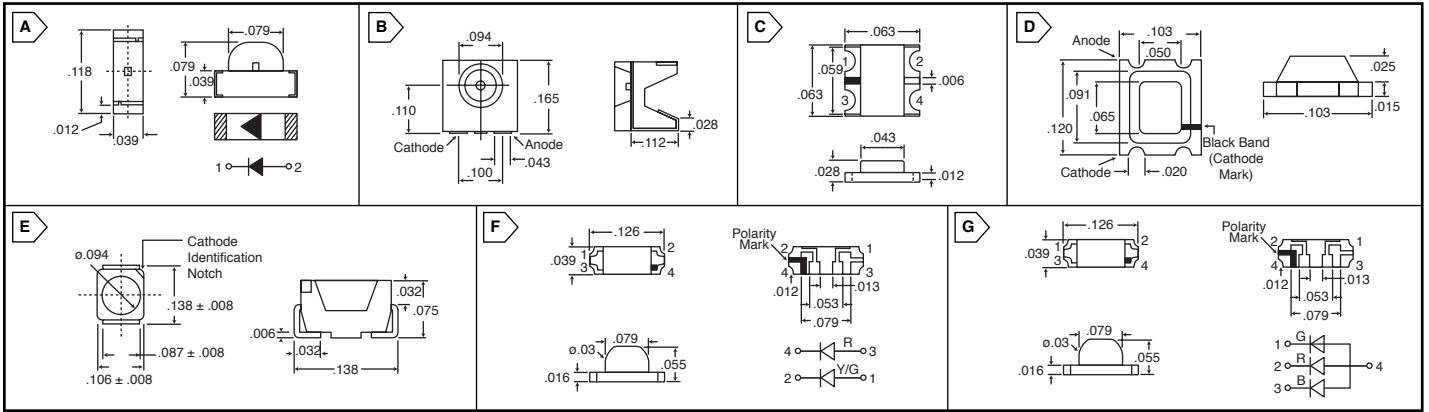


DIALIGHT SMD LEDs



Illumination

Dialight



DIMENSIONS: in.

Dialight SURFACE MOUNT LED - MicroLED® SERIES (CONT.)



RoHS Compliant

For quantities of 2000 and up, call for quote.

MOUSER STOCK NO.	Dialight Part No.	Fig.	Size	Color	Wavelength	Luminous Intensity (Max)	Voltage (Max)	Viewing Angle	Price Each			
									1	100	500	1000
645-597-2111-407F	597-2111-407F	A	RA	Red	660	12.4	2.3	130	.50	.42	.34	.25
645-598-8310-107F	598-8310-107F	A	RA	Red	640	70	2.4	160	.16	.12	.10	.08
645-598-8320-107F	598-8320-107F	A	RA	Reddish Orange	630	150	2.4	160	.18	.14	.12	.09
645-598-8330-107F	598-8330-107F	A	RA	Orange	610	150	2.4	160	.22	.17	.14	.11
645-597-2201-407F	597-2201-407F	A	RA	Orange	605	3	2.8	130	.50	.42	.34	.25
645-598-8340-107F	598-8340-107F	A	RA	Yellow	595	160	2.4	160	.18	.14	.12	.09
645-598-8350-107F	598-8350-107F	A	RA	Yellow	590	160	2.4	160	.18	.14	.12	.09
645-597-2401-407F	597-2401-407F	A	RA	Yellow	580	3	2.8	130	.50	.42	.34	.25
645-598-8360-107F	598-8360-107F	A	RA	Yellow Green	575	60	2.4	160	.16	.12	.10	.08
645-598-8370-107F	598-8370-107F	A	RA	Yellowish Green	570	50	2.4	160	.16	.12	.10	.08
645-597-2311-402F	597-2311-402F	A	RA	Green	560	5.2	2.8	130	.50	.42	.34	.25
645-598-8380-107F	598-8380-107F	A	RA	Green	525	300	3.5	160	.65	.49	.41	.32
645-598-8391-107F	598-8391-107F	A	RA	Blue	475	160	3.5	160	.44	.33	.28	.22
645-597-2001-213F	597-2001-213F	B	RA	Red	635	32	2.6	120	.50	.42	.34	.25
645-597-2401-213F	597-2401-213F	B	RA	Yellow	586	32	2.6	120	.50	.42	.34	.25
645-597-2301-213F	597-2301-213F	B	RA	Green	565	32	2.6	120	.50	.42	.34	.25
Bi-Color and Multi Color LEDs												
645-598-8410-207F	598-8410-207F	C	0606	Red / Yellowish Green	645/570	80/50	2.4	140	.30	.23	.19	.15
645-598-8470-207F	598-8470-207F	C	0606	Red / Yellow Green	639/575	60/40	2.4	140	.30	.23	.19	.15
645-598-8421-207F	598-8421-207F	C	0606	RedOrg / Green	630/530	120/240	2.4	140	.79	.59	.50	.40
645-598-8430-207F	598-8430-207F	C	0606	Orange / Yellowish Green	610/570	150/50	2.4	140	.30	.23	.19	.15
645-598-8460-207F	598-8460-207F	C	0606	Yellow / Red	595/645	150/60	2.4	140	.30	.23	.19	.15
645-598-8440-207F	598-8440-207F	C	0606	Yellow / Green	595/575	150/65	2.4	140	.30	.23	.19	.15
645-598-8450-207F	598-8450-207F	C	0606	Yellow / Green	592/530	150/140	2.4	140	.79	.59	.50	.40
645-598-8710-307F	598-8710-307F	C	0606	Red / Green / Blue	645/530/475	80/220/140	2.2	140	2.63	2.06	1.88	1.50
645-598-8720-307F	598-8720-307F	C	0606	RedOrg / Green / Blue	630/530/475	150/220/90	2.4	140	2.63	2.06	1.88	1.50
645-598-8721-307F	598-8721-307F	C	0606	RedOrg / Green / Blue	630/530/475	150/220/90	2.4	140	2.63	2.06	1.88	1.50
645-598-8730-307F	598-8730-307F	C	0606	Orange / Green / Blue	610/530/475	150/300/140	2.4	140	2.63	2.06	1.88	1.50
645-598-8740-307F	598-8740-307F	C	0606	Yellow / Green / Blue	595/530/475	150/300/140	2.4	140	2.63	2.06	1.88	1.50
645-598-8610-207F	598-8610-207F	D	1210	Red / Yellowish Green	645/570	80/50	2.4	140	.30	.23	.19	.15
645-598-8670-207F	598-8670-207F	D	1210	Red / Yellow Green	639/575	80/50	2.4	140	.30	.23	.19	.15
645-597-7731-107F	597-7731-107F	D	1210	Red / Yellow	630/585	4.0/8.0	2.6/2.8	170	.66	.55	.44	.33
645-597-7701-107F	597-7701-107F	D	1210	Red / Green	630/565	4.0/12.0	2.6/2.6	170	.82	.68	.55	.41
645-598-8620-207F	598-8620-207F	D	1210	RedOrg / Green	630/530	120/220	2.4	140	.79	.59	.50	.40
645-598-8621-207F	598-8621-207F	D	1210	RedOrg / Green	630/530	120/240	2.4	140	.79	.59	.50	.40
645-598-8630-207F	598-8630-207F	D	1210	Orange / Yellowish Green	610/570	150/50	2.4	140	.30	.23	.19	.15
645-598-8660-207F	598-8660-207F	D	1210	Yellow / Red	592/645	150/80	2.4	140	.30	.23	.19	.15
645-598-8640-207F	598-8640-207F	D	1210	Yellow / Yellowish Green	592/570	150/50	2.4	140	.30	.23	.19	.15
645-598-8650-207F	598-8650-207F	D	1210	Yellow / Green	592/530	120/220	2.4	140	.79	.59	.50	.40
645-597-7721-107F	597-7721-107F	D	1210	Yellow / Green	585/565	8.0/12.0	2.8/2.6	170	.92	.76	.61	.46
645-598-8680-207F	598-8680-207F	D	1210	Green / Blue	530/475	300/90	3.5	140	1.06	.80	.67	.53
645-598-8610-307F	598-8610-307F	D	1210	Red / Green / Blue	645/530/475	80/220/140	2.2	140	2.63	2.06	1.88	1.50
645-598-8920-307F	598-8920-307F	D	1210	RedOrg / Green / Blue	630/530/475	150/220/90	2.2	140	2.63	2.06	1.88	1.50
645-598-9920-307F	598-9920-307F	D	1210	RedOrg / Green / Blue	630/530/475	80/150/60	2.4	140	2.63	2.06	1.88	1.50
645-598-8930-307F	598-8930-307F	D	1210	Orange / Green / Blue	610/530/475	150/300/140	2.4	140	2.63	2.06	1.88	1.50
645-598-8940-307F	598-8940-307F	D	1210	Yellow / Green / Blue	595/530/475	150/300/140	2.4	140	2.63	2.06	1.88	1.50
645-597-7731-202F	597-7731-202F	E	PLCC-4	Red / Yellow	635/586	7.3/6.8	2.5/2.6	120	1.80	1.50	1.20	1.05
645-597-7701-207F	597-7701-207F	E	PLCC-4	Red / Green	635/565	6.0/9.4	2.6/2.6	120	.85	.71	.57	.43
645-597-7721-207F	597-7721-207F	E	PLCC-4	Yellow / Green	586/565	4.0/9.4	2.6/2.6	120	.75	.63	.50	.38
645-598-8510-207F	598-8510-207F	F	RA	Red / Yellowish Green	645/570	80/50	2.4	160	.30	.23	.19	.15
645-598-8570-207F	598-8570-207F	F	RA	Red / Yellow Green	640/575	80/50	2.4	160	.30	.23	.19	.15
645-598-8520-207F	598-8520-207F	F	RA	RedOrg / Yellowish Green	630/570	150/50	2.4	160	.30	.23	.19	.15
645-598-8530-207F	598-8530-207F	F	RA	Orange / Yellowish Green	610/570	150/50	2.4	160	.30	.23	.19	.15
645-598-8560-207F	598-8560-207F	F	RA	Yellow / Red	592/645	150/60	2.4	160	.30	.23	.19	.15
645-598-8540-207F	598-8540-207F	F	RA	Yellow / Yellowish Green	592/570	150/50	2.4	160	.30	.23	.19	.15
645-598-8550-207F	598-8550-207F	F	RA	Yellow / Green	592/530	150/220	2.2	160	.79	.59	.50	.40
645-598-8580-207F	598-8580-207F	F	RA	Blue / Green	475/525	80/240	3.4	160	1.06	.80	.67	.53
645-598-8810-307F	598-8810-307F	G	RA	Red / Green / Blue	645/530/475	80/220/140	2.4	160	2.63	2.06	1.88	1.50
645-598-8820-307F	598-8820-307F	G	RA	RedOrg / Green / Blue	630/530/475	150/300/140	2.4	160	2.63	2.06	1.88	1.50
645-598-8821-307F	598-8821-307F	G	RA	RedOrg / Green / Blue	630/530/475	150/300/140	2.4	160	2.63	2.06	1.88	1.50
645-598-8830-307F	598-8830-307F	G	RA	Orange / Green / Blue	610/530/475	150/300/140	2.4	160	2.63	2.06	1.88	1.50
645-598-8840-307F	598-8840-307F	G	RA	Yellow / Green / Blue	595/530/475	150/300/140	2.4	160	2.63	2.06	1.88	1.50

