

KOBICONN Cable Assemblies and Adapters



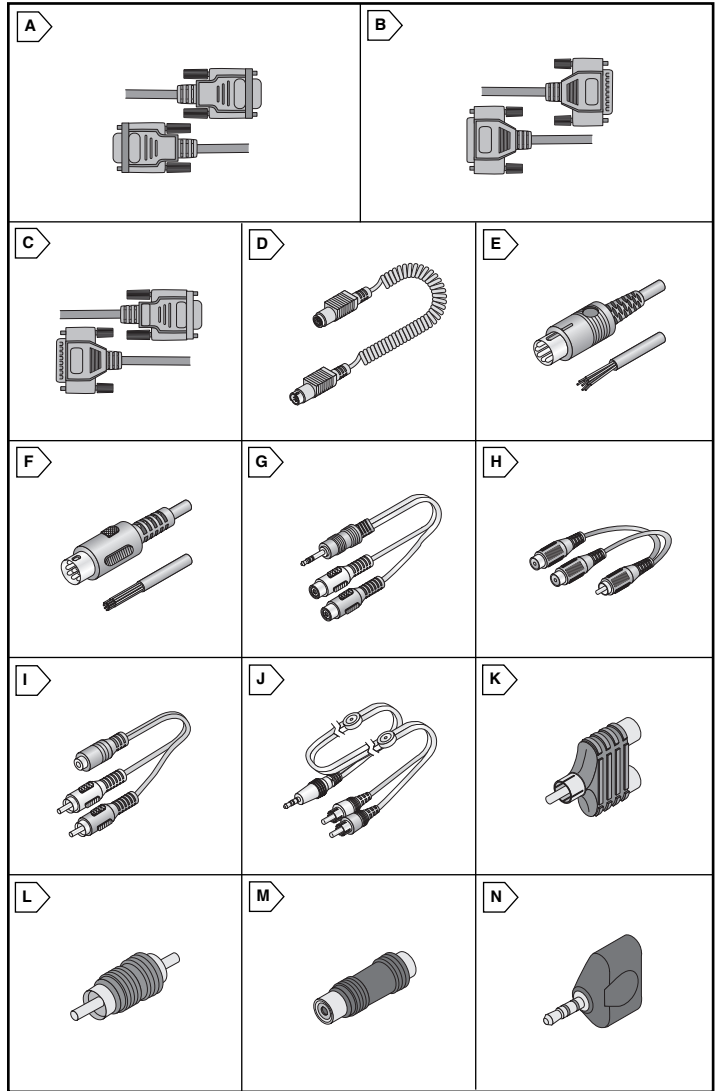
MOLDED EXTENSION CABLES

Features:

- Non-UL wire
- 28AWG PVC cover
- Color: beige
- Max Current: 500ma
- 4-40 holding screws
- Connector Housing: nickel plated steel
- Insulator PBT 30% glass
- Pins: brass, gold plated

For quantities of 500 and up, call for quote.

MOUSER STOCK NO.	Fig.	Color	Length (In.)	Description	Price Each		
					1	10	100
9 Pin - 9 Pin							
172-0909	A	Beige	72	9 Pin Male to 9 Pin Male	5.99	4.61	4.19
172-0906	A	Beige	72	9 Pin Male to 9 Pin Female	4.87	3.93	3.28
172-0910	A	Beige	120	9 Pin Male to 9 Pin Female	8.11	6.24	5.76
172-1906	A	Beige	72	9 Pin Female to 9 Pin Female	5.09	4.34	4.16
172-1910	A	Beige	120	9 Pin Female to 9 Pin Female	8.30	6.38	5.80
25 Pin - 25 Pin							
172-2525	B	Beige	72	25 Pin Male to 25 Pin Female	8.24	6.60	5.25
25 Pin - 9 Pin							
172-0925	C	Beige	72	25 Pin Male to 9 Pin Female	5.11	4.34	4.16
15 Pin - 15 Pin Hi-Density Video Cable							
172-1520	A	Beige	79	15 Pin HD Male to 15 Pin HD Female	4.71	3.93	2.99
6 Pin - 6 Pin Coiled Keyboard Extension Cable							
172-6620	D	Beige	79 Ext.	6 Pin Mini-Din to male-6 Pin female	4.54	3.78	2.89



DIN TYPE CABLES

For quantities of 500 and up, call for quote.

MOUSER STOCK NO.	Fig.	Color	Length (In.)	Description	Price Each		
					1	10	100
172-0007	E	Black	72	5 pin DIN plug to stripped and tinned	5.52	4.61	4.20
172-0008	F	Black	72	8 pin DIN plug to 24 AWG stripped and tinned leads shielded cable	6.84	5.26	4.78

ADAPTERS

For quantities of 10 and up, call for quote.

MOUSER STOCK NO.	Fig.	Description	Price Each
172-0003	G	5" black shielded cable, 2 RCA jacks to 3.5mm stereo plug	2.45

PHONO ADAPTERS

Specifications:

- Body material: PVC plastic
- Contact material: nickel plated brass
- Insulation resistance: 100MQ min.
- Contact resistance: 30mΩ max.
- Breakdown voltage: 500VAC 1 min.
- Insulation material: ABS plastic

For quantities of 10 and up, call for quote.

172-4010	H	Standard black RCA plug to 2 RCA jacks, 1 red and 1 white	2.07
172-4011	I	Standard black RCA jack to 2 RCA plugs, 1 red and 1 white	2.17
172-0601	J	1 red/1 black RCA plug to 3.5mm stereo plug 39"	3.20
172-0602	J	1 red/1 black RCA plug to 3.5mm stereo plug 78"	3.23
172-0603	J	1 red/1 black RCA plug to 3.5mm stereo plug 118"	4.86
161-4200-EX	K	Phono adapter 1 plug to 2 jacks	2.72
171-ADRPRP	L	RCA plug to RCA plug	1.59
171-ADRJRJ	M	RCA jack to RCA jack	1.05
171-AD32D31	N	3.5mm Stereo plug - 2 x 2.5mm mono jack	2.24

D-SUB FLAT CABLE ASSEMBLIES

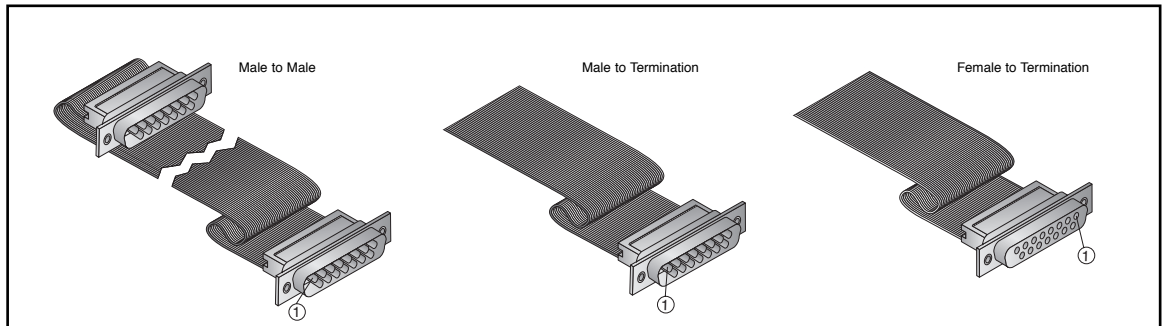
For all your custom flat cable needs call for a quote.

Material Specifications:

- Shell: Steel zinc plated
- Socket contact: Phosphor bronze, Gold plated over nickel 3 microinch
- Insulator: PBT and 30% glass fiber reinforced UL-94-VO
- All cables are 100% tested

Electrical Specifications:

- Current rating: 1A
- Dielectric strength: 1000V for 1 minute
- Insulator resistance: 1000MQ min. @ 500VDC
- Temperature: -55°C to +105°C



Male to Male

For quantities of 250 and up, call for quote.

MOUSER STOCK NO.	No. of Contacts	Length (Feet)	Price Per Each		
			1	10	100
175-196GA1	9	6	6.75	5.10	3.90
175-1910GA1	9	10	7.45	5.65	4.30
175-19156GA1	15	6	9.00	6.85	5.25
175-191510GA1	15	10	10.15	7.70	5.90
175-19256GA1	25	6	12.70	9.60	7.35
175-192510GA1	25	10	14.40	10.95	8.35
175-19376GA1	37	6	18.80	14.30	10.95
175-193710GA1	37	10	21.50	16.30	12.50

Male to Termination

For quantities of 250 and up, call for quote.

MOUSER STOCK NO.	No. of Contacts	Length (Feet)	Price Per Each		
			1	10	100
175-1696GA1	9	6	3.95	2.95	2.25
175-16910GA1	9	10	4.60	3.50	2.65
175-16156GA1	15	6	5.34	4.50	3.10
175-161510GA1	15	10	6.40	4.85	3.70
175-16256GA1	25	6	7.65	5.80	4.40
175-162510GA1	25	10	9.40	7.10	5.40
175-16376GA1	37	6	11.45	8.60	6.65
175-163710GA1	37	10	14.10	10.70	8.20

Female to Termination

For quantities of 250 and up, call for quote.

MOUSER STOCK NO.	No. of Contacts	Length (Feet)	Price Per Each		
			1	10	100
175-1796GA1	9	6	4.33	3.25	2.50
175-17910GA1	9	10	5.05	3.80	2.90
175-17156GA1	15	6	5.85	4.50	3.40
175-171510GA1	15	10	6.95	5.25	4.00
175-17256GA1	25	6	8.40	6.35	4.85
175-172510GA1	25	10	10.15	7.70	5.90
175-17376GA1	37	6	12.60	9.55	7.30
175-173710GA1	37	10	15.25	11.55	8.85