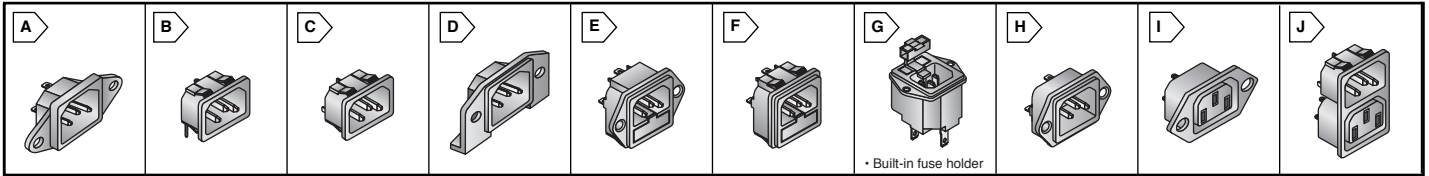


AC Plugs, Receptacles, and Connectors



KOBICONN AC POWER INLETS / OUTLETS

AC Power Inlets

- Specifications:**
- Current rating: 15A/250VAC
 - Temperature rating: 65°C
 - RoHS Compliant per Kobiconn documentation



RoHS Compliant

For quantities of 500 and up, call for quote.

MOUSER STOCK NO.	Fig.	Description	Terminal Type	Price Each		
				1	10	100
161-0707-1-E	A	Screw mount	Solder tab	.74	.62	.56
161-0707-1-187-E	A	Screw mount	Solder tab / .187" faston	.74	.62	.56
161-0707-1-250-E	A	Screw mount	.250" faston	.78	.65	.59
161-0711-2-E	B	PCB mount	PC	.78	.65	.59
161-0711-250-E	C	Snap-in mount	.250" faston	.78	.65	.59
161-0711-PQA-E	C	Snap-in mount	Solder tab / .187" faston	.74	.62	.56

PC Board AC Power Inlet

- Specifications:**
- Current rating: 15A/250VAC
 - Temperature rating: 65°C
 - RoHS Compliant per Kobiconn documentation



RoHS Compliant

For quantities of 500 and up, call for quote.

MOUSER STOCK NO.	Fig.	Description	Terminal Type	Price Each
161-0714-7-E	D	Screw mount	PC	1.04 .87 .79

IEC 320 AC Power Inlets with Miniature Fuse Holder

- Specifications:**
- Current rating: 10A/250VAC
 - Temperature rating: 65°C
 - Accepts 5 x 20mm fuses
 - RoHS Compliant per Kobiconn documentation



RoHS Compliant

For quantities of 500 and up, call for quote.

MOUSER STOCK NO.	Fig.	Description	Terminal Type	Price Each
161-0717-187-E	E	Screw mount	Solder tab / .187" faston	2.09 1.74 1.58
161-0717-1-187-E	F	Snap-in mount	Solder tab / .187" faston	2.09 1.74 1.58

NEMA 5-15R, Screw Mount AC Power Inlets

Features:

- Mates to standard CEE-22 cord set
- Receptacles: approved for use in Europe
- Mates with detachable power cord sets 173-63101, 173-63102, 173-63121, 557-63122, 515-04515, 515-04850
- Mates to Belden 17250, 17251 power cords
- 16PJ522 fused receptacle accepts up to 6 amp midget fuse (5 x 20mm)

For quantities of 500 and up, call for quote.

MOUSER STOCK NO.	Fig.	Rating	Description	Price Each		
				1	10	100
16PJ522	G	10A/250V	Fused with solder lug terminal	3.77	3.14	2.86
161-3516-E	H	15A/250V	Standard with solder lug terminal	1.41	1.08	.98
16PJ152-E	H	15A/250V	Standard with .187" faston term.	1.59	1.24	1.13
16PJ153-E	H	15A/250V	Standard with .250" faston term.	1.59	1.24	1.13

IEC 320 AC Power Outlets

Specifications:

- Current rating: 10A / 250
- Temperature rating: 65°C



RoHS Compliant

For quantities of 500 and up, call for quote.

MOUSER STOCK NO.	Fig.	Rating	Mounting Type	Terminal Type	Price Each		
					1	10	100
161-0708-1-E	I	10A/250V	Screw mount	Solder tab	.83	.69	.63

IEC 320 / CEE 22 Combination AC Power Inlet/Outlet

Specifications:

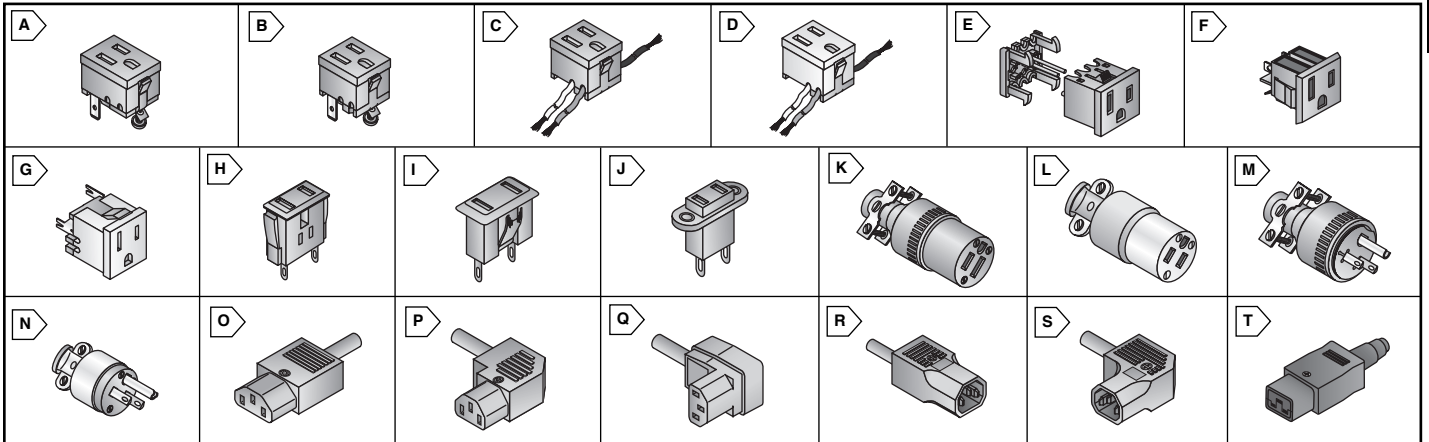
- Current Rating: UL, CSA, VDE 10A / 250
- Approvals: UL, CSA, VDE, SEV, SEMCO
- RoHS Compliant per Kobiconn documentation
- Temperature Rating: 65°C



RoHS Compliant

For quantities of 500 and up, call for quote.

MOUSER STOCK NO.	Fig.	Rating	Mounting Type	Terminal Type	Price Each		
					1	10	100
161-0712-E	J	10A/250V	Snap-in Mount	Solder Tab .187" Faston	2.05	1.71	1.55



AC RECEPTACLES

Note: All 2 conductor receptacles are non-polarized unless otherwise noted.

Snap-In Mount

For quantities of 100 and up, call for quote.

MOUSER STOCK NO.	Fig.	Description	Fits Panel Thickness	Price Each	
				1	10
5160-67BK	A	3 conductor polarized with ground, black plastic	.031-.070	1.93	1.84
*5160-67W	A	3 conductor polarized with ground, white plastic	.031-.070	1.93	1.84
*5160-49BK	B	Midget, polarized, black plastic	.031-.070	1.91	1.82
*5160-49W	B	Midget, polarized, white plastic	.031-.070	1.91	1.82
*5160-49-2BK	C	Midget, polarized, heavy wire leads, black plastic	.031-.070	3.36	3.21
*5160-49-2W	C	Midget, polarized, heavy wire leads, white plastic	.031-.070	3.36	3.21
161-0710-12-E	E	15A/125VAC, 3 cond. w/ground, v-slot, .205" faston	.039-.063	1.04	.87
161-0709-E	F	15A/125VAC, 3 cond. w/grd, solder tab, .187" faston	.039-.063	.70	.58
5160-49-8BK	G	3 conductor with ground, v-slot, black	.031-.070	1.22	1.16
161-0715-E	H	15A/125VAC, 2 conductor, polarized	.031-.059	.94	.72
15AC037	H	15A/125VAC, 2 conductor, polarized	.031-.047	.94	.72
15AC022	I	6A/125VAC, black plastic	.039-.063	1.05	.88

Screw Mount

15AC021	J	15A/125VAC	2 conductor, black plastic	.82	.63
---------	---	------------	----------------------------	-----	-----

Cable Mount

For quantities of 100 and up, call for quote.

*5160-222	K	.600" cord size, rubber, 3 conductor grounded, polarized, black	9.06	8.65
*5160-2887	L	.25 to .625 cord diameter, 3 conductor grounded	8.91	8.50

AC PLUGS, CABLE MOUNT

For quantities of 100 and up, call for quote.

MOUSER STOCK NO.	Fig.	Description	Price Each	
			1	10
*5160-1709	M	3 cond. grounded, .600" cord size, rubber w/cord clamp, black	7.15	6.82
*5160-2867	N	3 cond. grnd, .685" cord, yell. vinyl w/armored cap & cord clamp	6.31	6.02

BULGIN AC CONNECTORS

* Nylon UL 94V0, screw terminals

RoHS Compliant

For quantities of 50 and up, call for quote.

MOUSER STOCK NO.	Fig.	Rating	Description	Price Each	
				1	10
161-PX0587	O	10A/250VAC	3 wire socket	2.78	2.55
161-PX0587/SE	P	10A/250VAC	3 wire socket right angle	3.31	3.04
161-PX0588	Q	10A/250VAC	3 wire socket	3.72	3.42
161-PX0597	O	10A/250VAC	3 wire socket hot cond.	3.22	2.96
171-PX0686	R	10A/250VAC	3 wire plug	3.03	2.78
171-PX0686/SE	S	10A/250VAC	3 wire plug right angle	3.03	2.78
161-PX0599	T	20A/250VAC	3 wire C19 socket	6.13	5.63