

# Speakon® & Powercon® Audio Connectors



## SPEAKON® LOUDSPEAKER AMPLIFIER CONNECTORS

### Specifications:

- Current rating per contact: 25A rms continuous
- Rated voltage: 250VAC
- Panel cutouts the same as existing audio connector types
- RoHS compliant per Neutrik documentation
- Cable O.D. Range (for plug connectors only): 2-Pole = 6-10mm, 4-Pole = 6-15mm, 8-Pole = 8-20mm



RoHS Compliant

For quantities of 100 and up, call for quote.

MOUSER STOCK NO.	Neutrik Part No.	Fig.	Type	Gender	Mount	Price Each		
						1	10	25
568-NL2MP	NL2MP	A	2-pole	Male	Chassis, Faston Tabs	2.17	1.96	1.80
568-NL4MP	NL4MP	A	4-pole	Male	Chassis, Faston Tabs	2.80	2.49	2.31
568-NL4MP-ST	NL4MP-ST	A	4-pole	Male	Chassis, Screw Terminals	3.40	3.23	3.06
568-NL4MP-UC	NL4MP-UC	A	4-pole	Male	Chassis, High power (40A rms)	3.40	3.23	3.06
568-NL4MPR	NL4MPR	B	4-pole	Male	Chassis, Faston Tabs	4.25	3.51	3.26
568-NL2FC	NL2FC	C	2-pole	Female	Cable, Screw Terminals	2.94	2.83	2.69
568-NL4FC	NL4FC	C	4-pole	Female	Cable, Screw Terminals	6.55	5.71	5.50
568-NL4MMX	NL4MMX	D	4-pole	Male	Coupler for Linking Cables	5.81	5.75	4.35
568-NL8MPR	NL8MPR	B	8-pole	Male	Chassis, Faston Tabs, Ni Face	7.85	6.94	6.57
568-NL8MPR-BAG	NL8MPR-BAG	B	8-pole	Male	Chassis, Faston Tabs, black Face	7.85	6.94	6.57
568-NL8FC	NL8FC	C	8-pole	Female	Cable, Screw Terminals	11.05	10.25	9.05

## SPEAKON® SPX SERIES

Features a higher current rating for the operation of high power speakers and amplifiers carrying more than 1000 Watts. Change easily and quickly from a straight connector to the right-angle version, without disconnecting the cable.

### Specifications:

- Rated Current / Contact: 40A rms continuous, 50 A audiosignal, duty cycle 50%
- Dielectric Strength: 4kV peak
- Rated Voltage: 250VAC
- Temperature Range: -30°C to +80°C
- Max. Wire Size: 10AWG/5mm<sup>2</sup>
- Cable O.D. Range: 6-14mm
- RoHS compliant per Neutrik documentation

### Materials:

- Contacts: Brass
- Locking Element: Zinc Diecast
- Housing / Insert: PBTP 20% GR
- Bushing: Polyamide PA 6 15% GR
- Chuck: Polyacetal POM



RoHS Compliant



For quantities of 100 and up, call for quote.

MOUSER STOCK NO.	Neutrik Part No.	Fig.	Type	Gender	Description	Price Each		
						1	10	25
568-NL4FX-GN	NL4FX-5	E	4-pole	Female	Green Rear Boot	4.73	4.30	4.09
568-NL4FX-WT	NL4FX-9	E	4-pole	Female	White Rear Boot	4.73	4.30	4.09
568-NL4FX-R	NL4FX-2	E	4-pole	Female	Red Rear Boot	4.73	4.30	4.09
568-NL4FX-Y	NL4FX-4	E	4-pole	Female	Yellow Rear Boot	4.73	4.30	4.09
568-NL4FRX	NL4FRX	F	4-pole	Female	Right Angle Connector w/ Black Rear Boot	5.30	5.15	4.90

### Accessories

For quantities of 100 and up, call for quote.

MOUSER STOCK NO.	Neutrik Part No.	Fig.	Description	Price Each		
				1	10	25
568-LCR-WT	LCR-WT	G	White Ring for NL4FRX	.44	.40	.39
568-LRX	LRX	H	Conversion kit makes NL4FX to NL4FRX	1.51	1.43	1.35

## SPEAKON® STX SERIES

All metal housing makes for rugged and durable connectors. Weatherproof built-in gasket meets IP54 protection class when mated. Mates with all currently available 4 pole Speakon® Products.

### Specifications:

- Rated Current per Contact: 40A rms continuous
- Rated Insulation Voltage: 250VAC
- Temperature Range: -30°C to +80°C
- Max. Wire Size: 10AWG/6mm<sup>2</sup>
- Cable O.D. Range: 9-16mm
- RoHS compliant per Neutrik documentation

### Materials:

- Contacts: Female-Brass; Male-Copper
- Housing/Bushing/Locking Element: Zinc Diecast
- Insert: Polyamide
- Chuck: Polyacetal



RoHS Compliant



For quantities of 100 and up, call for quote.

MOUSER STOCK NO.	Neutrik Part No.	Fig.	Type	Gender	Description	Price Each		
						1	10	25
568-NLT4FX	NLT4FX	I	4-pole	Female	Cable Mount, Nickel Housing with Solder Cups	9.50	9.10	8.62
568-NLT4FX-BAG	NLT4FX-BAG	I	4-pole	Female	Cable Mount, Black Housing with Solder Cups	10.25	9.79	9.27
568-NLT4MX	NLT4MX	J	4-pole	Male	Cable Mount, Nickel Housing with Solder Cups	9.34	8.87	8.41
568-NLT4MX-BAG	NLT4MX-BAG	J	4-pole	Male	Cable Mount, Black Housing with Solder Cups	9.75	9.29	8.80
568-NLT4FP	NLT4FP	K	4-pole	Female	Chassis Connector, Nickel Housing with Solder Cups	8.50	8.08	7.65
568-NLT4MP	NLT4MP	L	4-pole	Male	Chassis Connector, Nickel Housing w/0.25" Faston Tabs	6.50	5.99	5.45
568-NLT4MP-BAG	NLT4MP-BAG	L	4-pole	Male	Chassis Connector, Black Housing w/0.25" Faston Tabs	6.85	6.44	6.10

## POWERCON® LOCKING 3-POLE CONNECTION SYSTEM

### Specifications:

- Rated current: 20A rms @ wire size 2.5mm<sup>2</sup>
- Rated voltage: 250VAC
- Contact resistance: <math>\leq 3m\Omega</math> after 5000 insertion withdrawal operations
- Cable OD range: 5-15mm
- Wiring: cable-screw type terminals: chassis-flat tabs
- RoHS compliant per Neutrik documentation



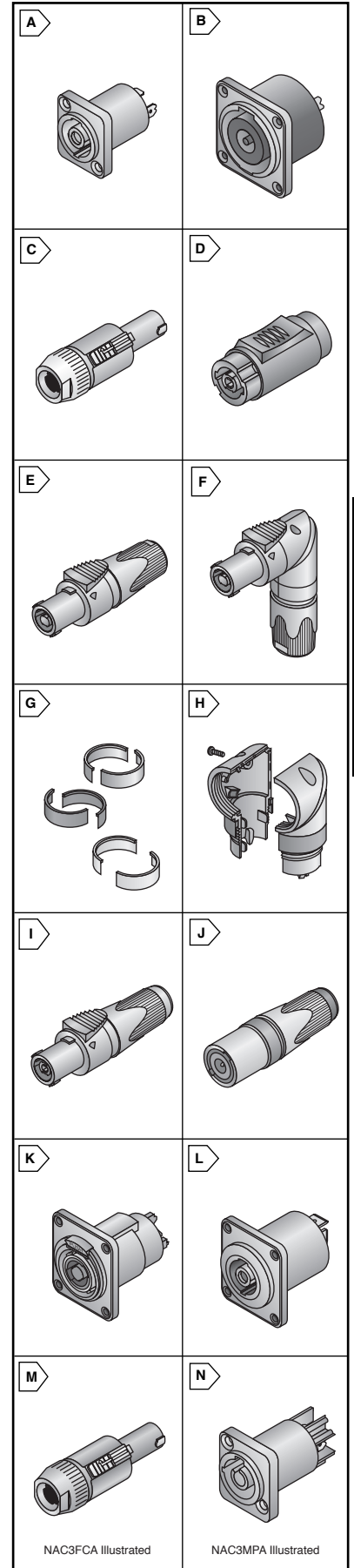
RoHS Compliant

For quantities of 100 and up, call for quote.

MOUSER STOCK NO.	Neutrik Part No.	Fig.	Mount	Gender	Type	Price Each		
						1	10	25
568-NAC3FCA	NAC3FCA	M	Cable	Female	Power in	5.95	5.25	4.81
568-NAC3FCB	NAC3FCB	M	Cable	Female	Power out	5.59	5.25	4.81
* 568-NAC3MPA	NAC3MPA	N	Chassis	Male	Power in	3.01	2.68	2.41
* 568-NAC3MPB	NAC3MPB	N	Chassis	Male	Power out	3.01	2.68	2.41
† 568-NAC3MM	NAC3MM	--	Coupler	---	---	13.84	12.70	12.32

\* The chassis connectors are panel compatible with Neutrik D-Series and SPEAKON NL4MP  
 † For coupling NAC3FCA to NAC3FCB

© Copyright 2007 Mouser Electronics



Audio/Video Connectors Neutrik

© Copyright 2007 Mouser Electronics