

Modular Jacks

AMPHENOL® EMI QUIET MODULAR JACKS WITH LED'S

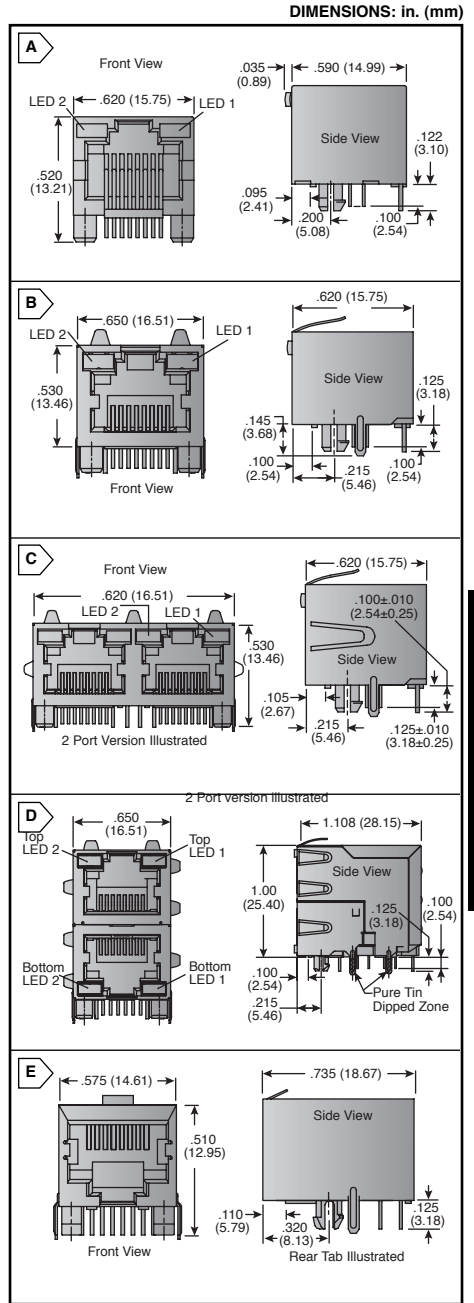
- Features:**
- Meets CAT 5 performance
 - UL File #: E135615
 - CSA File #: LR68598
 - 8 position - 8 contact
- Specifications:**
- RoHS Compliant per Amphenol documentation
 - Contacts: Flat Phosphor Bronze with 50µ" Au Plating
 - Current Rating: 1.5A
 - Voltage Rating: 125V



RoHS Compliant

For quantities of 500 and up, call for quote.

MOUSER STOCK NO.	Amphenol Part No.	Fig.	LED 2 Color	LED 1 Color	# of Ports	Price Each			
						1	10	50	100
RJ-45 Non-Shielded Jacks									
523-RJHSE-5080	RJHSE-5080	A	-----	-----	1	.54	.50	.45	.42
523-RJHSE-5081	RJHSE-5081	A	Yellow	Green	1	.82	.76	.69	.64
523-RJHSE-5084	RJHSE-5084	A	Green	Yellow	1	.82	.76	.68	.63
523-RJHSE-5085	RJHSE-5085	A	Green	Green	1	.82	.76	.71	.65
RJ-45 Shielded Jacks									
523-RJHSE-5380	RJHSE-5380	B	-----	-----	1	.90	.80	.71	.65
523-RJHSE-5381	RJHSE-5381	B	Yellow	Green	1	1.15	1.02	.92	.83
523-RJHSE-5384	RJHSE-5384	B	Green	Yellow	1	1.22	1.05	.94	.85
523-RJHSE-5385	RJHSE-5385	B	Green	Green	1	1.36	1.22	1.09	1.00
523-RJHSE-538A	RJHSE-538A	B	Grn/Yel	Grn/Yel	1	2.27	2.04	1.85	1.67
RJ-45 Shielded Jacks- Multiple Ports									
523-RJHSE-5381-02	RJHSE-5381-02	C	Yellow	Green	2	2.84	2.63	2.45	2.25
523-RJHSE-5381-03	RJHSE-5381-03	C	Yellow	Green	3	5.89	5.30	4.82	4.42
523-RJHSE-5381-04	RJHSE-5381-04	C	Yellow	Green	4	4.13	3.72	3.38	3.10
523-RJHSE-5384-02	RJHSE-5384-02	C	Green	Yellow	2	3.16	2.84	2.58	2.37
523-RJHSE-5384-04	RJHSE-5384-04	C	Green	Yellow	4	4.13	3.72	3.38	3.10
523-RJHSE-5384-08	RJHSE-5384-08	C	Green	Yellow	8	9.87	8.88	8.07	7.40
523-RJHSE-5385-02	RJHSE-5385-02	C	Green	Green	2	3.16	2.84	2.54	2.33
523-RJHSE-5385-04	RJHSE-5385-04	C	Green	Green	4	4.23	3.72	3.38	3.10



AMPHENOL® STACKED AND SHIELDED MODULAR JACKS

- Features:**
- Reduces component and labor cost by incorporating LED's into the connector
 - Meets Ethernet Cat 5 performance
 - Stackable feature enables more ports with same board space
 - Ferrite filter available

- Specifications:**
- RoHS Compliant per Amphenol documentation
 - Contacts: Flat Phosphor Bronze with 50µ" Au Plating
 - Current Rating: 1.5A
 - Voltage Rating: 125V



For quantities of 500 and up, call for quote.

MOUSER STOCK NO.	Amphenol Part No.	Fig.	LED 2 Color	LED 1 Color	# of Ports	Price Each			
						1	10	50	100
523-RJSAE-5380-02	RJSAE-5380-02	D	-----	-----	2	3.86	3.51	3.22	2.97
523-RJSAE-5381-02	RJSAE-5381-02	D	Yellow	Green	2	5.49	4.94	4.49	4.12
523-RJSAE-5385-02	RJSAE-5385-02	D	Green	Green	2	5.49	4.94	4.45	3.98
523-RJSAE-538A-02	RJSAE-538A-02	D	Grn/Yel	Grn/Yel	2	6.56	5.90	5.36	4.84
523-RJSAE-5380-04	RJSAE-5380-04	D	-----	-----	4	5.98	5.62	5.11	4.68
523-RJSAE-5381-04	RJSAE-5381-04	D	Yellow	Green	4	9.93	8.94	8.13	7.45
523-RJSAE-5385-04	RJSAE-5385-04	D	Green	Green	4	9.93	8.94	8.05	7.21
523-RJSAE-538A-04	RJSAE-538A-04	D	Grn/Yel	Grn/Yel	4	9.51	8.33	7.40	6.60
523-RJSAE-5380-08	RJSAE-5380-08	D	-----	-----	8	13.69	12.32	11.20	10.27
523-RJSAE-5381-08	RJSAE-5381-08	D	Yellow	Green	8	17.62	15.86	14.29	12.79
523-RJSAE-5385-08	RJSAE-5385-08	D	Green	Green	8	13.91	12.18	10.82	9.74
523-RJSAE-538A-08	RJSAE-538A-08	D	Grn/Yel	Grn/Yel	8	21.91	19.72	17.77	15.65

AMPHENOL® FILTERED AND SHIELDED MODULAR JACKS

- Features:**
- Effective EMC control with a standard RJ-45 jack
 - Drop in replacement for non-filtered RJ-45 jacks
 - Ferrite Block for filtering
 - UL File #: E135615
 - CSA File #: LR68598

- Specifications:**
- RoHS Compliant per Amphenol documentation
 - Contacts: Flat Phosphor Bronze with 50µ" Au Plating
 - Current Rating: 1.5A
 - Voltage Rating: 125V
 - 8 position - 8 contact



RoHS Compliant

For quantities of 500 and up, call for quote.

MOUSER STOCK NO.	Amphenol Part No.	Fig.	Description	Price Each			
				1	10	50	100
523-FRJAE-448	FRJAE-448	E	Shielded Only, Rear Tabs	1.62	1.45	1.31	1.21
523-FRJAE-468	FRJAE-468	E	Shielded & Filtered, Rear Tabs	2.38	2.14	1.92	1.77
523-FRJAE-438	FRJAE-438	E	Shielded Only, Front Tabs	1.82	1.63	1.47	1.35
523-FRJAE-418	FRJAE-418	E	Shielded & Filtered, Front Tabs	2.38	2.14	1.92	1.77

FCI MODULAR JACKS

- Features:**
- Thru-hole, solder to board configuration
 - Press-fit design eliminates hot and cold staking
 - Mate with modular plugs conforming to FCC Part 68, Subpart F
 - Housing: thermoplastic resin, UL94V-0 rating

For quantities of 500 and up, call for quote.

MOUSER STOCK NO.	FCI Part No.	Fig.	USOC Type	RoHS	Positions-Contacts	Price Each			
						1	10	50	100
Type 616 - PCB									
649-66010-001LF	66010-001LF	A	Handset	Yes	4-4	.61	.55	.53	.50
* 649-66011-001	66011-001	A	RJ11	Yes	6-4	.65	.59	.56	.53
Low Profile - PCB									
* 649-67968-001LF	67968-001LF	B	RJ11	Yes	6-4	1.24	1.13	1.07	1.01
649-67968-002	67968-002	B	RJ12	Yes	6-6	.70	.64	.60	.57
649-87180-044	87180-044	C	Handset	Yes	4-4, Horizontal	.76	.69	.66	.62
649-87180-066	87180-066	C	RJ12	Yes	6-6, Horizontal	.83	.76	.72	.68
649-87180-086	87180-086	C	RJ45	Yes	8-6, Horizontal	.39	.35	.32	.30
649-87180-088LF	87180-088LF	C	RJ45	Yes	8-8, Horizontal	.91	.89	.81	.77
Vertical - PCB									
649-69253-001	69253-001	D	Handset	Yes	4-4	.76	.69	.66	.62
649-69254-001	69254-001	D	RJ12	Yes	6-6	.83	.76	.72	.68
649-69254-001LF	69254-001LF	D	RJ12	Yes	6-6	.83	.76	.72	.68
* 649-69254-002	69254-002	D	RJ11	Yes	6-4	.76	.69	.66	.62
649-69255-001	69255-001	D	RJ45	No	8-8	.90	.82	.78	.74

* Positions 1 and 6 unloaded.
© Copyright 2007 Mouser Electronics



© Copyright 2007 Mouser Electronics